

Fortress

Installation Instructions
Board on Board • Shadowbox

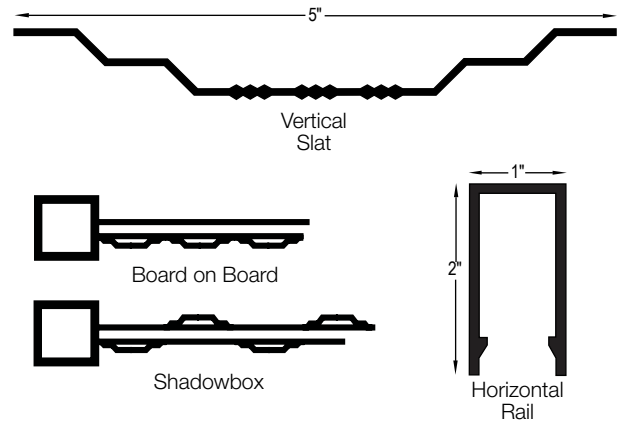




Fortress

Board on Board • Shadowbox

Alumi-Guard® Fortress aluminum privacy fence is today's durable, low maintenance version of the old wooden or vinyl slat privacy fence. Fortress Privacy Fence offers the protection you want with all the advantages of powder coated aluminum.



Warning:

- Improper installation of this product can result in personal injury. Always wear safety goggles when cutting, drilling and assembling the product.
- Incorrect installation may cause harm to the product or individual.
- Not pool code approved.

Notice:

- DO NOT attempt to assemble the kit if parts are missing or damaged.
- DO NOT return the product to the store. For assistance or replacement parts call: 1-877-258-6448

1.

Before you begin

- Make sure the fence line has been properly located by the responsible party. Never assume where the fence is to be installed.
- Before digging, make sure the fence line has been checked for underground utilities, pool equipment line, and sprinkler systems.
- Check contents of order: Make sure all the parts match the order in type, size and quantity.

2.

Preparation

1. Fence should be installed 2 - 3 inches off of the ground to allow gates to function properly, and to allow maintenance of the grass.
2. Gates are built to fit actual openings; if the packing list shows a 4' gate, the gate and hardware fits in the 4" opening.
3. When digging post holes for the Fortress Fence, Alumi-Guard recommends the hole to be 10 - 12 inches in diameter and wider at the bottom. Depth should be determined by local codes and/or the installer, based on soil conditions. Concrete should be 3000 psi min.

3.

Layout

1. Post locations will be determined by panel widths. Panel widths may vary by project. Measure panel widths to determine the distance the posts should be set apart. Example: if you have a Board on Board panel that is 68" wide, then the posts should have 68" between them. Account for this as you dig your holes. The Fortress Fence panels are designed to be installed against the posts to provide privacy.
2. Panels can be cut to fit as needed. Cut panels should be cut to the widths of the slats to insure privacy. Slats may be cut narrower and should be screwed to the channels if this is done.

4.

Installation

1. Posts should be installed plumb using a level. Concrete should be set before the panels are installed. Posts have holes located where the "Clip Locks" are mounted. Install all Clip Locks as shown (Fig. 2a). Panels are then placed between posts and the channels snap down over the Clip Locks (Fig. 2b).
2. Panel assembly installed on the Clip Lock (Fig. 3) as shown, will need to have a #8 x 1/2" SST TEK Screw installed after the panel is snapped on the Clip Lock (Fig. 3).
3. Continue installing panels between posts until complete.

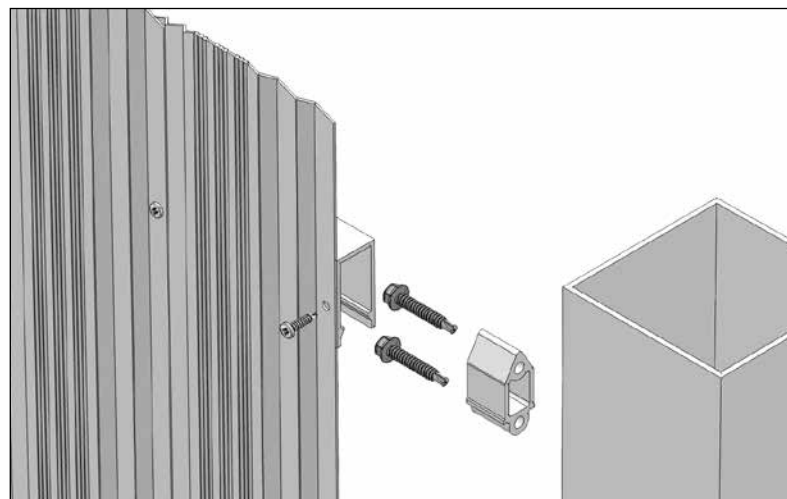
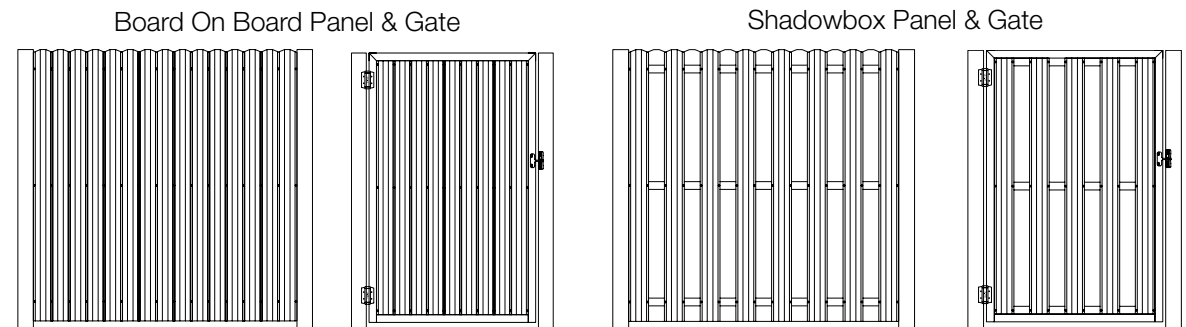


Fig. 1

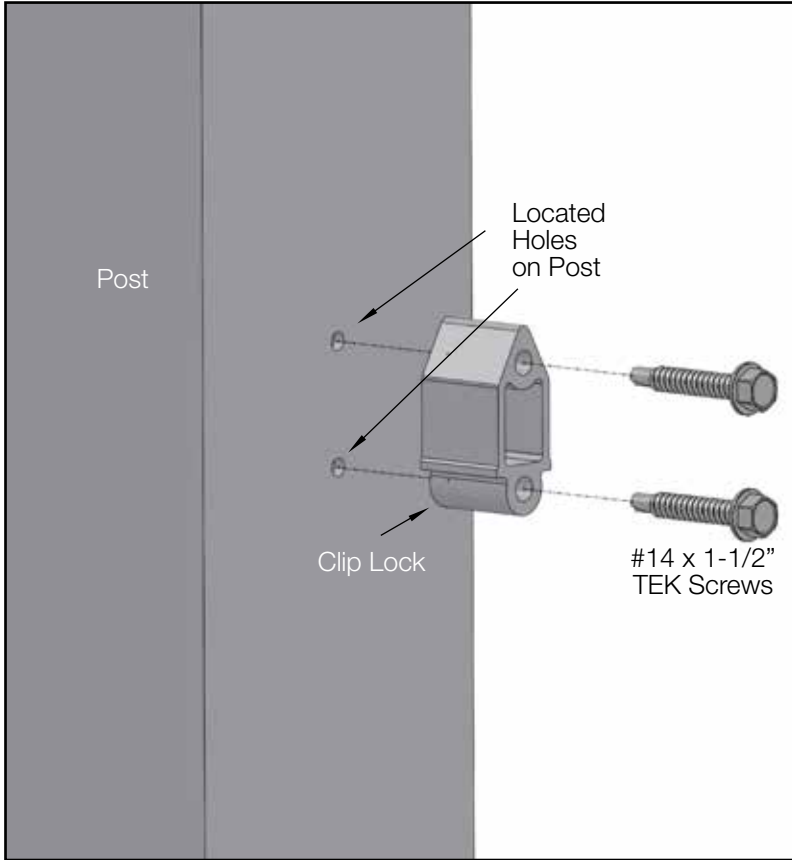


Fig. 2a

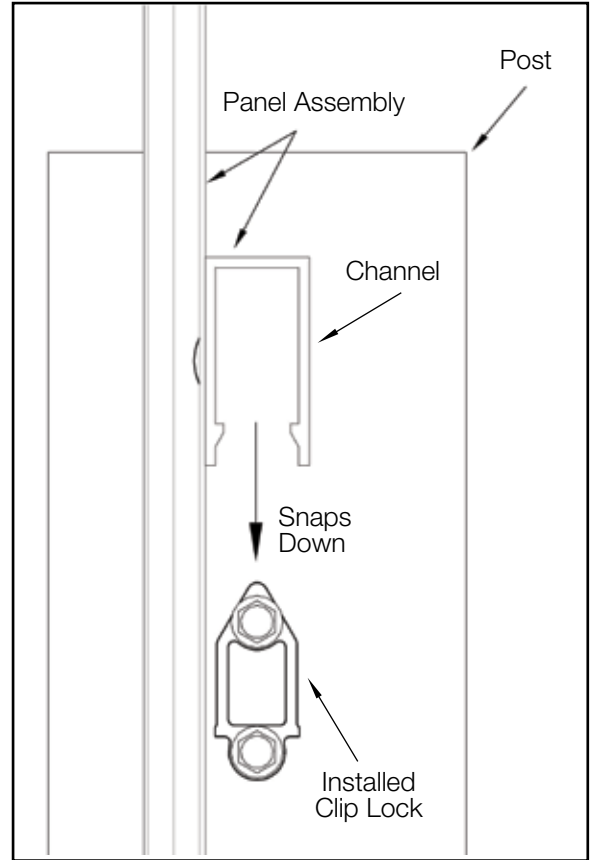


Fig. 2b

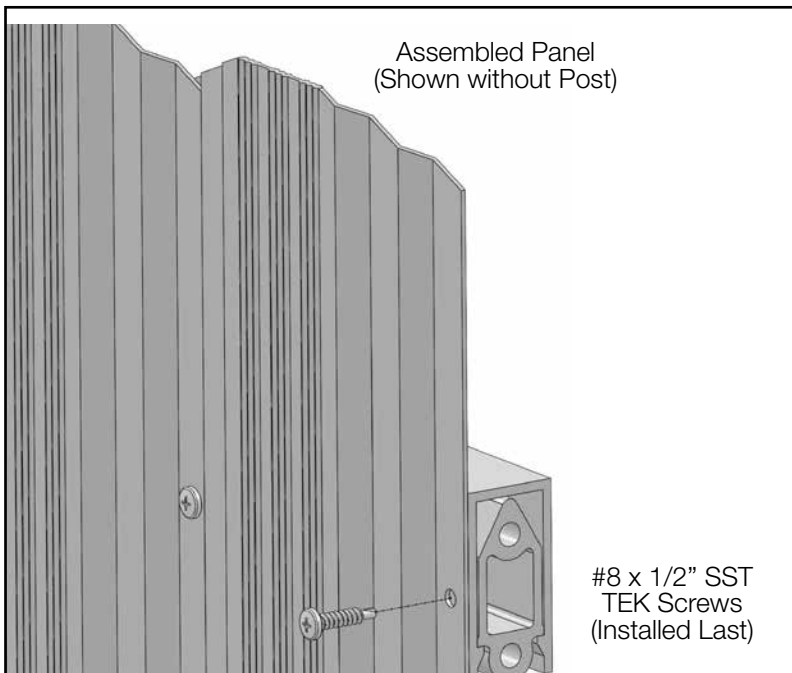


Fig. 3

Transferable Limited Lifetime Warranty

You're not just purchasing a fence, you're investing in your property.

Protecting what you love

At Alumi-Guard® we understand that fencing needs to be as durable as it is beautiful. That's why we use only the finest materials and why we back all our products with a transferable limited lifetime warranty.

You've worked hard to make your fence - functional, comfortable, a natural expression of your personality. With Alumi-Guard®, that feeling doesn't stop at your door. From the strength and beauty of their craftsmanship, to the guarantee of their future, our outdoor living products make your project complete, safe and secure.

Who is covered:

- The limited lifetime warranty covers single-family residential properties only. This limited warranty extends to the original purchaser and one (1) individual transferee as specified herein.
- A thirty (30) year limited warranty covers any other type of building or property including those owned by corporations, governmental agencies, partnerships, trusts, religious organizations, schools, condominiums, homeowner associations, cooperative housing arrangements and apartment buildings. The warranty period will be thirty (30) years following the original date of Product purchase.

Aluminum - What is covered: Barrette Outdoor Living warrants that its aluminum fencing products ("Product") will be free from defects in material and workmanship for the warranty period. This limited warranty is valid beginning on the date of Product purchase.

Barrette Outdoor Living warrants the Product against peeling, flaking, rotting, chipping, cracking, blistering, splintering, corrosion and rusting; or abnormal discoloration/fading* under normal atmosphere and weather conditions.

*After prolonged exposure to outdoor environments, all products will experience some gradual fading over time and is considered normal (up to a standard variation determined by Delta E color measurement, not to exceed Delta 5). Degrees of fading vary depending on geographical location, air pollution, exposure and other factors.

What this warranty does not cover: This limited warranty does not cover damage resulting from: misuse, abuse, improper storage or handling, improper installation, other aluminum products and accessories that are not manufactured by Barrette Outdoor Living, or manufactured for specific use in aluminum fence applications; damage caused by events beyond human control including but not limited to damage caused by animals or natural events; impact of foreign objects, fire, earthquake, flood, lightning, hail, hurricane, tornado or other casualty or act of God; movements, distortion, collapse or settling of ground or structure on which the fence is installed. This limited warranty does not cover costs of removal or disposal of product, or re-installation of replacement product.

What Barrette Outdoor Living does to remedy the problem: Should your Barrette Outdoor Living product prove defective under warranty, visit the website or call the phone number listed below. Barrette Outdoor Living requires written notice or phone call within thirty (30) days of discovering the defect and you must show original proof of purchase receipt. You will be required to provide to Barrette Outdoor Living pictures and/or samples of the defective Product. If it is determined by Barrette Outdoor Living, in its sole discretion, the Product has a manufacturer defect in material or workmanship, Barrette Outdoor Living will replace with new or equivalent products; labor is not included in warranty. If the Product is discontinued, Barrette Outdoor Living will repair or replace the Product with a product in comparable quality or price range.

Barrette Outdoor Living reserves the right to discontinue or modify any of its products, including the color of its products without notice to the purchaser. Barrette Outdoor Living does not warrant that any replacement material will match or be identical to the

original Product as replacement products may vary in color or gloss in comparison to the original Product as a result of normal weathering.

Transferee Coverage: Limited lifetime warranty coverage will be extended to one (1) transferee with the following limitations: the one (1) transfer shall only be from residential homeowner (original Product purchaser) to a second homeowner. After a transfer, the warranty is valid thirty (30) years from the date of the original purchase.

The thirty (30) year limited warranty for commercial installations cannot be transferred.

Registration: To activate this warranty, fill out the product registration form on the website listed below, or mail a completed registration card to Barrette Outdoor Living. Registration of Product must be within thirty (30) days from date of Product purchase for warranty to be valid.

Except as expressly set forth in this warranty, Barrette Outdoor Living HEREBY EXPRESSLY DISCLAIMS ANY REPRESENTATION, WARRANTY, PROMISE, GUARANTEE OR OTHER ASSURANCE OF ANY KIND, EXPRESS OR IMPLIED, ORAL OR WRITTEN, STATUTORY OR OTHERWISE, RELATING TO THE PRODUCT. STATE LAW WILL DETERMINE THE PERIOD OF TIME FOLLOWING THE SALE THAT YOU MAY SEEK A REMEDY UNDER THE IMPLIED WARRANTY OF MERCHANTABILITY OR FITNESS FOR A PARTICULAR PURPOSE.

NO DISTRIBUTOR, DEALER OR OTHER PERSON IS AUTHORIZED BY BARRETTE OUTDOOR LIVING TO CHANGE THIS WARRANTY OR TO MAKE ANY ADDITIONAL REPRESENTATION, WARRANTY, PROMISE, GUARANTEE OR OTHER ASSURANCE ON BEHALF OF BARRETTE OUTDOOR LIVING RELATING TO THE PRODUCT. THIS WARRANTY GIVES YOU SPECIFIC LEGAL RIGHTS, AND YOU MAY ALSO HAVE OTHER RIGHTS WHICH VARY STATE TO STATE.

LIMITATION OF LIABILITY: THE REMEDIES DESCRIBED ABOVE ARE YOUR SOLE AND EXCLUSIVE REMEDIES AND BARRETTE OUTDOOR LIVING'S ENTIRE LIABILITY FOR ANY BREACH OF THIS LIMITED WARRANTY. BARRETTE OUTDOOR LIVING'S LIABILITY SHALL UNDER NO CIRCUMSTANCES EXCEED THE ACTUAL AMOUNT PAID BY YOU FOR THE DEFECTIVE PRODUCT, NOR SHALL BARRETTE OUTDOOR LIVING BE LIABLE FOR ANY CONSEQUENTIAL, INCIDENTAL, SPECIAL OR PUNITIVE DAMAGES OR LOSSES, WHETHER DIRECT OR INDIRECT. SOME STATES DO NOT ALLOW THE EXCLUSION OR LIMITATION OF INCIDENTAL OR CONSEQUENTIAL DAMAGES, SO THE ABOVE LIMITATION OR EXCLUSION MAY NOT APPLY TO YOU. THIS WARRANTY IS VALID ONLY IN THE UNITED STATES AND CANADA.

This warranty is effective for products purchased after January 1, 2019.

This warranty can also be found online at Alumi-Guard.com/warranty.

To register your product, visit Alumi-Guard.com

In case of a warranty claim call 1.877.258.6448



Alumi-Guard®
2401 Corporate Blvd. • Brooksville, FL 34604
545 Tilton Road • Egg Harbor City, New Jersey 08215
Alumi-Guard.com