

# Pre-Built Guardrail Panels

## Installation Instructions

Yorkshire



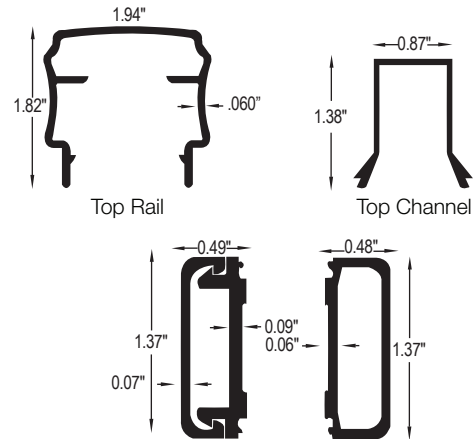


## Pre-Built Guardrail Panels

### Yorkshire

Alumi-Guard's® Pre-Built Guardrail Panels are the perfect solution for applications where a strong, durable low maintenance, guardrail is desired. Strong, metal-to-metal connections ensure dependable safety and security for any stair or ramp. ADA compliant handrail is available.

*Always refer to your local Building Codes for all Life Safety regulations and requirements.*



### Warning:

- Improper installation of this product can result in personal injury. Always wear safety goggles when cutting, drilling and assembling the product.
- Incorrect installation may cause harm to the product or individual.
- Not pool code approved.

### Notice:

- DO NOT attempt to assemble the kit if parts are missing or damaged.
- DO NOT return the product to the store. For assistance or replacement parts call: 1-877-258-6448

- The Alumi-Guard® Pre-Built Guardrail Panels have been designed to meet or exceed the 2018 International Builders Code (IBC) and the 2018 International Residential Code. It is recommended that the Contractor install in compliance with local codes.
- These instructions have been written for installations where the posts are embedded, surface mounted or fascia mounted to a structural concrete area.
- For embedded installation, Alumi-Guard® Pre-Built Guardrail Panels are engineered with a hydraulic cement or epoxy. (4000 PSI min)
- For surface and fascia mounted installations Alumi-Guard® Pre-Built Guardrail Panels are engineered with TITEN HD 3/8" Screw Anchors - or equal - with a minimum embed of 3" into solid concrete. (3,000 PSI min)
- Guardrail should be installed at or above minimum heights per applicable commercial codes. 42" high for fall hazards of 30" or more, and 36" for elevations less than 30" high.
- Check contents of order: Make sure all the parts match the order in type, size and quantity.

## 1. Guard Railing - Level

Install the posts plumb with the desired installation type - Diagram A For straight runs, install posts a maximum of 73-3/8" apart - inside of post to inside of post for 6' sections - see Diagram B. All posts should be placed on a centerline. With the post spacing above, the railing sections will not need to be trimmed and should be installed with the standard wall mount brackets -see Diagram E and F. Post height above the railing should be trimmed to a height of 1" - 2" then install the post cap.

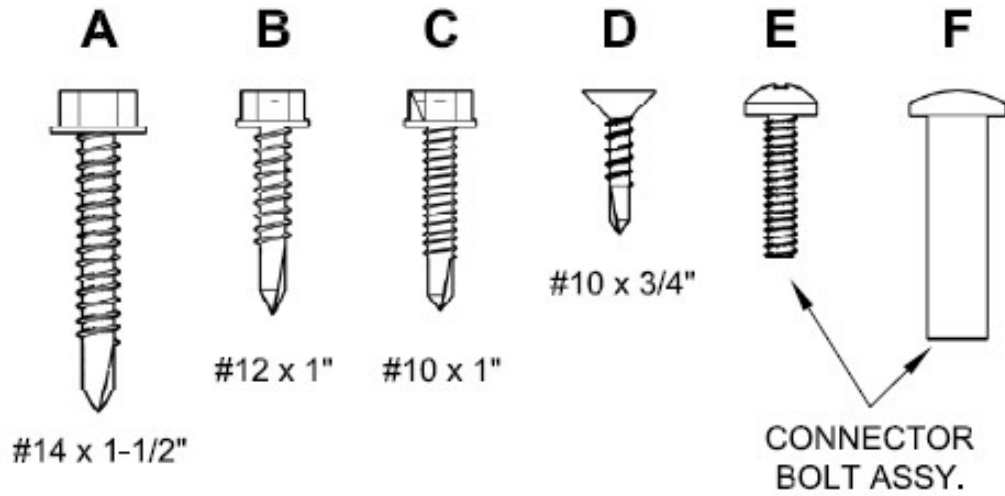


Fig 1

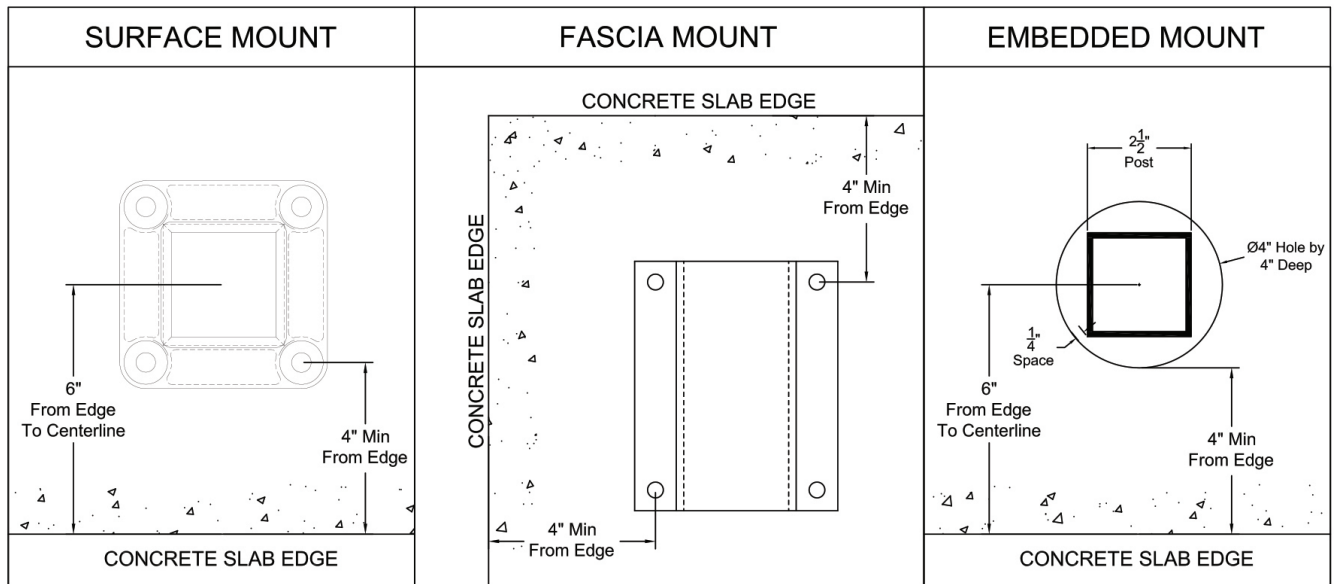


Diagram A

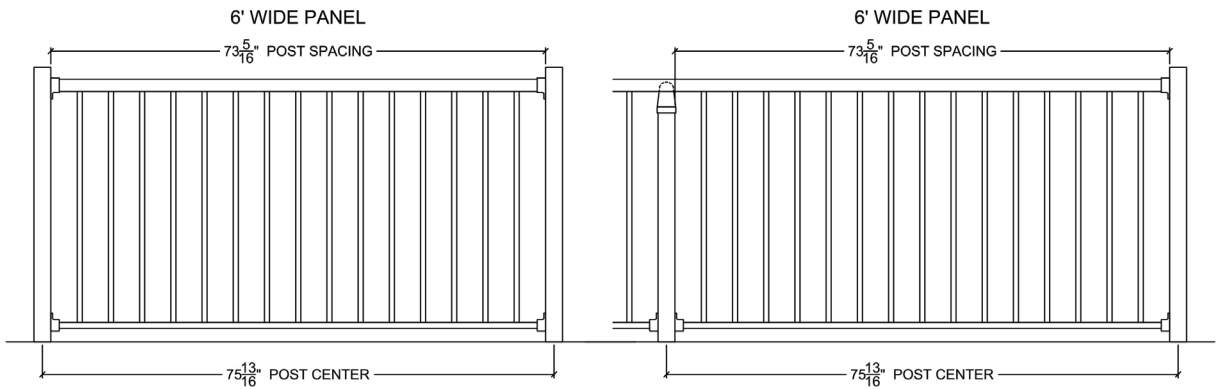


Diagram B

## 2.

### Post Installs

For installations where the posts are less than the above noted distance apart, panel lengths must be cut to fit. Position the panel against the sides of the posts - see Diagram C. Mark and cut panels  $\frac{5}{16}$ " shorter than the mark on each end. A minimum space of 1-1/2" from the end of the panel to the picket to allow for the mounting bracket. It may be necessary to move a picket to achieve this.

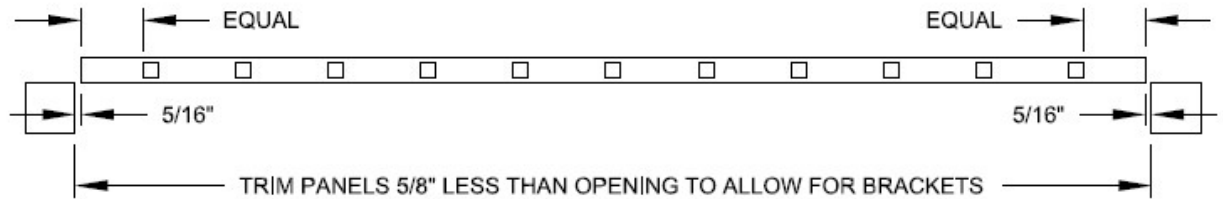


Diagram C

## 3.

### Continuous Runs

For long continuous runs, see Diagrams B and D for the Intermediate Splice Bracket details. For continuous runs, the 2" intermediate posts should be cut 4-1/4" below the installed height of the railing.

**Example:** installed top cap height of 42" from grade; cut the 2" intermediate post to 37-3/4" from grade = 4-1/4" shorter. Attach lower rail to intermediate post with standard wall mount bracket - see Diagram F.

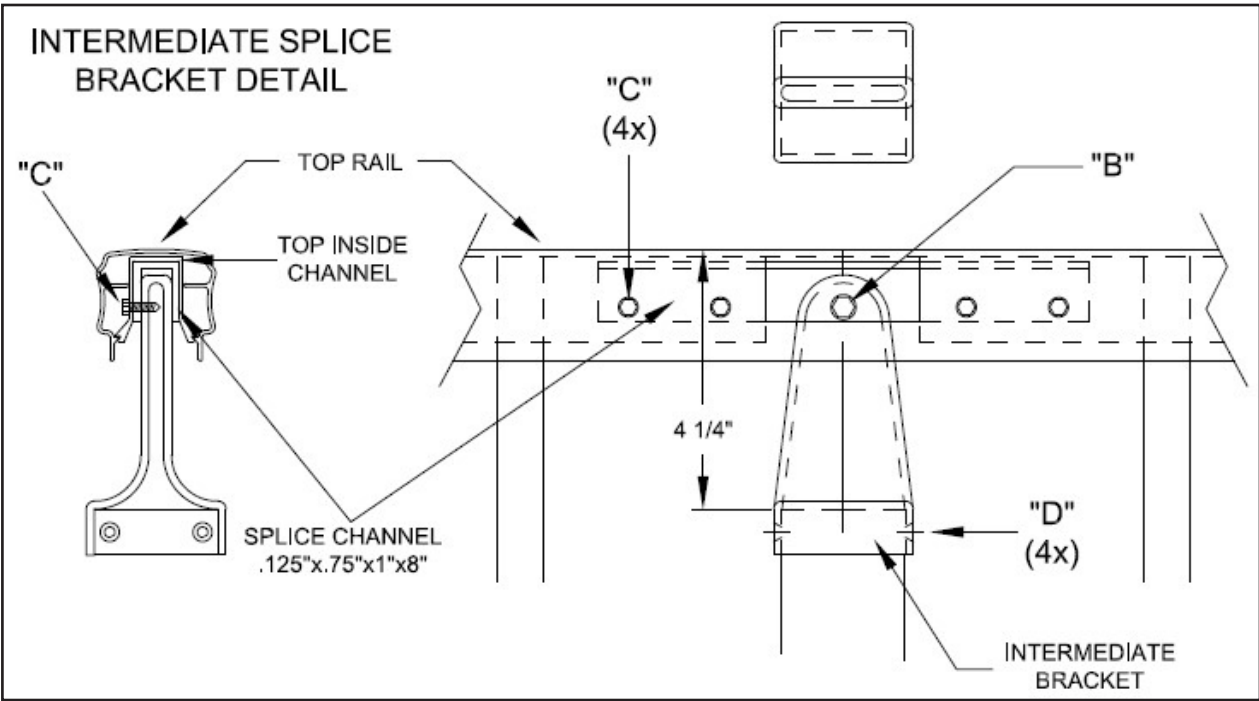


Diagram D

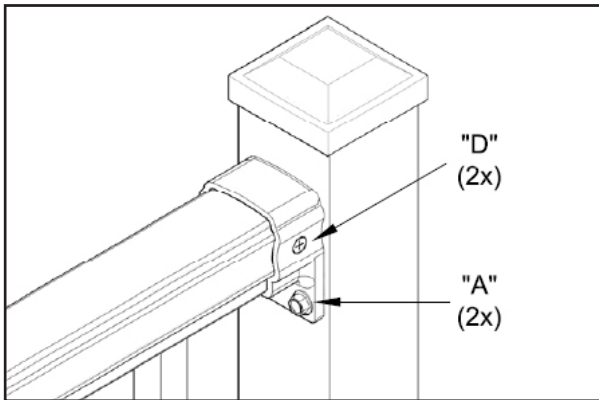


Diagram E

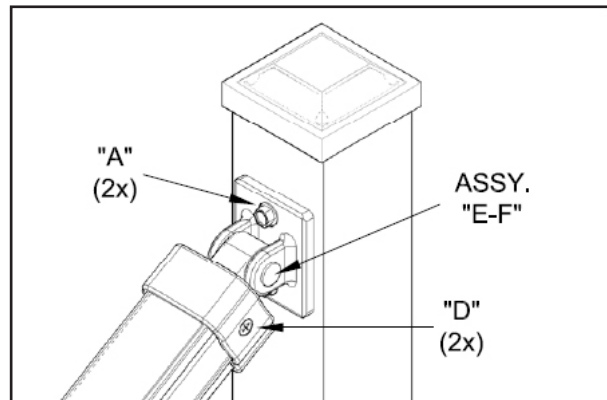


Diagram G

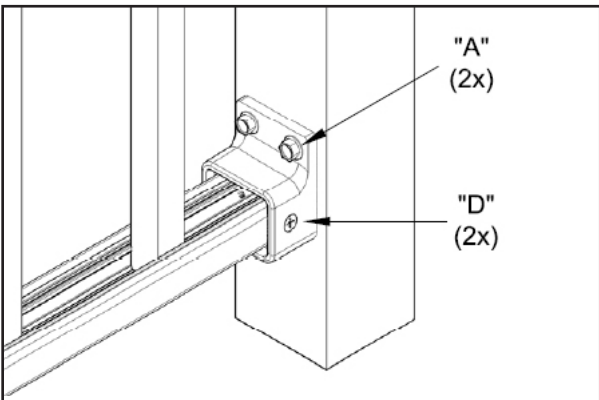


Diagram F

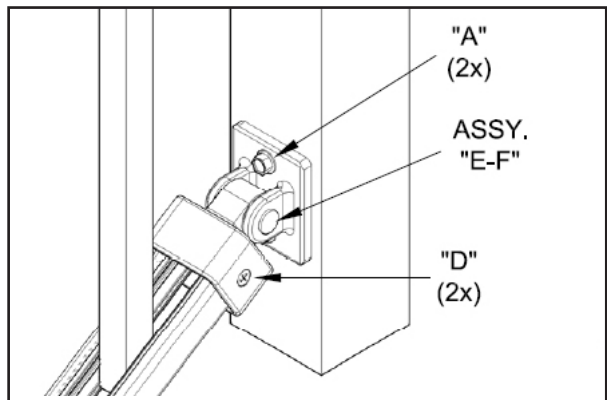


Diagram H

# 4.

## Pre-Built Guard Railing - Stairs

- Step 1 - Install the posts plumb with the desired installation type - see Diagram A. Posts that install on stair treads should be placed in the middle of the tread. Install posts a maximum of 72" apart - on stair angle - inside of post to inside of post for 6' sections - see Diagram I. All posts should be placed on a centerline. With the post spacing above, the railing sections will need to be trimmed and should be installed with the Vertical Swivel Mount Brackets - see Diagram G & H.

**NOTE: Depending on the size and pitch of the tread, longer length posts may be required on the treads and at the bottom of the stairs.**

- Step 2 - Run a string line between the first post and the last post on the nose of the treads. Use this as a guide when locating the railing and the Swivel Brackets above the treads. Position bottom rail 1-1/2" (minimum) above the nose of the steps (use spacers) and mark where the brackets are to be attached to the posts- see Diagram I. Position the panel against the sides of the posts - see Diagram I. Mark and cut lower rails 2-1/4" shorter than the mark on each end. Where the upper rail is continuous, cut rail 5/16" shorter than the mark and assemble as shown in Diagram J. Where upper rail connects to a 2-1/2" posts, cut 2-1/4" shorter than the mark. A minimum space of 1-1/2" from the end of the panel to the picket to allow for the mounting bracket. It may be necessary to move a picket to achieve this.
- Step 3 - When installing the cut panels, attach the lower swivel brackets to the rail first. Then place the upper brackets assemblies on the upper rail with a small piece of top cap in each cup. Mark where the yokes mount to the posts - see Diagrams G and H and make sure there is enough length on the post height. Mount the lower brackets first, then install the top cap on the upper channel and mount the upper brackets.
- Repeat steps 2 and 3 as the installation continues down the stairs to the end post, keeping the guardrail at the same angle of the stairs.

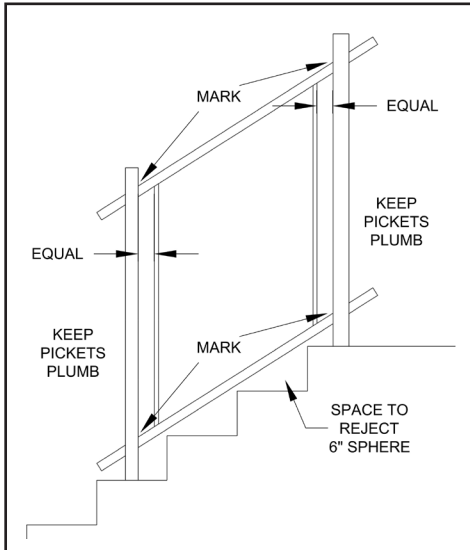


Diagram I

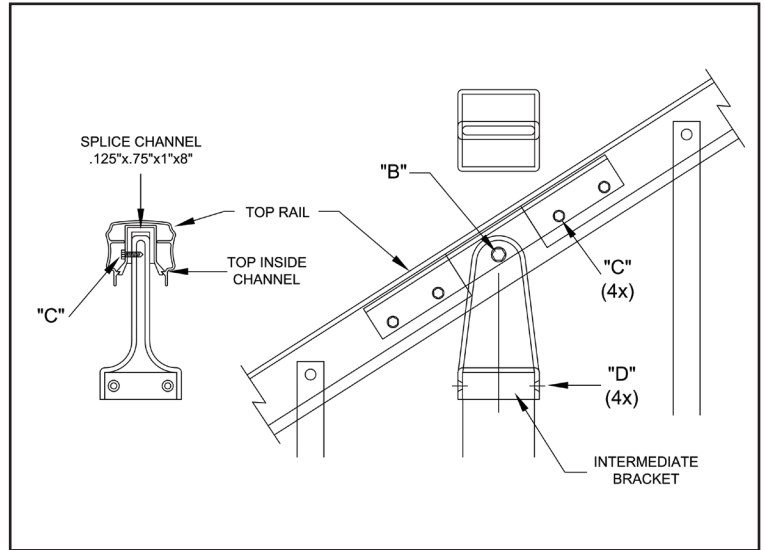


Diagram J

## Transferable Limited Lifetime Warranty

**You're not just purchasing a fence, you're investing in your property.**

### *Protecting what you love*

At Alumi-Guard® we understand that fencing needs to be as durable as it is beautiful. That's why we use only the finest materials and why we back all our products with a transferable limited lifetime warranty.

You've worked hard to make your fence - functional, comfortable, a natural expression of your personality. With Alumi-Guard®, that feeling doesn't stop at your door. From the strength and beauty of their craftsmanship, to the guarantee of their future, our outdoor living products make your project complete, safe and secure.

Who is covered:

- The limited lifetime warranty covers single-family residential properties only. This limited warranty extends to the original purchaser and one (1) individual transferee as specified herein.
- A thirty (30) year limited warranty covers any other type of building or property including those owned by corporations, governmental agencies, partnerships, trusts, religious organizations, schools, condominiums, homeowner associations, cooperative housing arrangements and apartment buildings. The warranty period will be thirty (30) years following the original date of Product purchase.

Aluminum - What is covered: Barrette Outdoor Living warrants that its aluminum fencing products ("Product") will be free from defects in material and workmanship for the warranty period. This limited warranty is valid beginning on the date of Product purchase.

Barrette Outdoor Living warrants the Product against peeling, flaking, rotting, chipping, cracking, blistering, splintering, corrosion and rusting; or abnormal discoloration/fading\* under normal atmosphere and weather conditions.

\*After prolonged exposure to outdoor environments, all products will experience some gradual fading over time and is considered normal (up to a standard variation determined by Delta E color measurement, not to exceed Delta 5). Degrees of fading vary depending on geographical location, air pollution, exposure and other factors.

What this warranty does not cover: This limited warranty does not cover damage resulting from: misuse, abuse, improper storage or handling, improper installation, other aluminum products and accessories that are not manufactured by Barrette Outdoor Living, or manufactured for specific use in aluminum fence applications; damage caused by events beyond human control including but not limited to damage caused by animals or natural events; impact of foreign objects, fire, earthquake, flood, lightning, hail, hurricane, tornado or other casualty or act of God; movements, distortion, collapse or settling of ground or structure on which the fence is installed. This limited warranty does not cover costs of removal or disposal of product, or re-installation of replacement product.

What Barrette Outdoor Living does to remedy the problem: Should your Barrette Outdoor Living product prove defective under warranty, visit the website or call the phone number listed below. Barrette Outdoor Living requires written notice or phone call within thirty (30) days of discovering the defect and you must show original proof of purchase receipt. You will be required to provide to Barrette Outdoor Living pictures and/or samples of the defective Product. If it is determined by Barrette Outdoor Living, in its sole discretion, the Product has a manufacturer defect in material or workmanship, Barrette Outdoor Living will replace with new or equivalent products; labor is not included in warranty. If the Product is discontinued, Barrette Outdoor Living will repair or replace the Product with a product in comparable quality or price range.

Barrette Outdoor Living reserves the right to discontinue or modify any of its products, including the color of its products without notice to the purchaser. Barrette Outdoor Living does not warrant that any replacement material will match or be identical to the

original Product as replacement products may vary in color or gloss in comparison to the original Product as a result of normal weathering.

Transferee Coverage: Limited lifetime warranty coverage will be extended to one (1) transferee with the following limitations: the one (1) transfer shall only be from residential homeowner (original Product purchaser) to a second homeowner. After a transfer, the warranty is valid thirty (30) years from the date of the original purchase.

The thirty (30) year limited warranty for commercial installations cannot be transferred.

Registration: To activate this warranty, fill out the product registration form on the website listed below, or mail a completed registration card to Barrette Outdoor Living. Registration of Product must be within thirty (30) days from date of Product purchase for warranty to be valid.

Except as expressly set forth in this warranty, Barrette Outdoor Living HEREBY EXPRESSLY DISCLAIMS ANY REPRESENTATION, WARRANTY, PROMISE, GUARANTEE OR OTHER ASSURANCE OF ANY KIND, EXPRESS OR IMPLIED, ORAL OR WRITTEN, STATUTORY OR OTHERWISE, RELATING TO THE PRODUCT. STATE LAW WILL DETERMINE THE PERIOD OF TIME FOLLOWING THE SALE THAT YOU MAY SEEK A REMEDY UNDER THE IMPLIED WARRANTY OF MERCHANTABILITY OR FITNESS FOR A PARTICULAR PURPOSE.

NO DISTRIBUTOR, DEALER OR OTHER PERSON IS AUTHORIZED BY BARRETTE OUTDOOR LIVING TO CHANGE THIS WARRANTY OR TO MAKE ANY ADDITIONAL REPRESENTATION, WARRANTY, PROMISE, GUARANTEE OR OTHER ASSURANCE ON BEHALF OF BARRETTE OUTDOOR LIVING RELATING TO THE PRODUCT. THIS WARRANTY GIVES YOU SPECIFIC LEGAL RIGHTS, AND YOU MAY ALSO HAVE OTHER RIGHTS WHICH VARY STATE TO STATE.

LIMITATION OF LIABILITY: THE REMEDIES DESCRIBED ABOVE ARE YOUR SOLE AND EXCLUSIVE REMEDIES AND BARRETTE OUTDOOR LIVING'S ENTIRE LIABILITY FOR ANY BREACH OF THIS LIMITED WARRANTY. BARRETTE OUTDOOR LIVING'S LIABILITY SHALL UNDER NO CIRCUMSTANCES EXCEED THE ACTUAL AMOUNT PAID BY YOU FOR THE DEFECTIVE PRODUCT, NOR SHALL BARRETTE OUTDOOR LIVING BE LIABLE FOR ANY CONSEQUENTIAL, INCIDENTAL, SPECIAL OR PUNITIVE DAMAGES OR LOSSES, WHETHER DIRECT OR INDIRECT. SOME STATES DO NOT ALLOW THE EXCLUSION OR LIMITATION OF INCIDENTAL OR CONSEQUENTIAL DAMAGES, SO THE ABOVE LIMITATION OR EXCLUSION MAY NOT APPLY TO YOU. THIS WARRANTY IS VALID ONLY IN THE UNITED STATES AND CANADA.

This warranty is effective for products purchased after January 1, 2019.

This warranty can also be found online at [Alumi-Guard.com/warranty](http://Alumi-Guard.com/warranty).

To register your product, visit [Alumi-Guard.com](http://Alumi-Guard.com)

In case of a warranty claim call 1.877.258.6448

