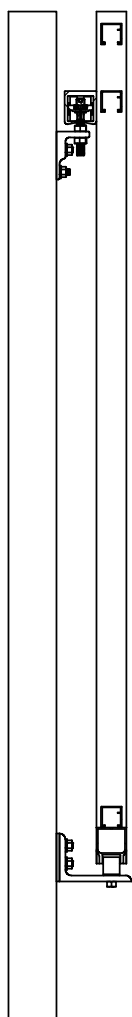


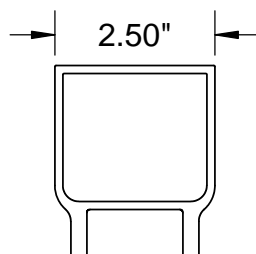
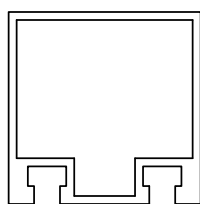
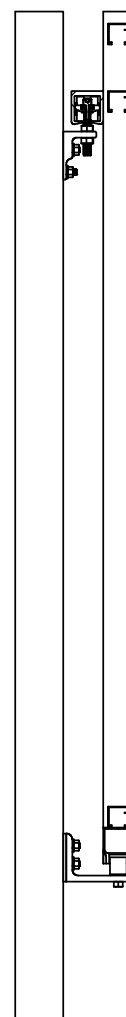
T-SLOT DOUBLE CANTILEVER

SINGLE SIDE TRACK W/ 2.5" FRAME

Installation Kit - Instructions



SKU	COLOR
61123615	BEIGE
61123616	BLACK
61123617	FLORIDA BRONZE
61123618	GREEN
61123619	GRAY
61123620	LIGHT BRONZE
61118964	MATTE BLACK
61123621	MILL
61118965	MATTE BRONZE
61123622	WHITE



ITEM #	PART #				DESCRIPTION	QTY
1	34110644				T-SLOT DBL CANTILEVER SNGL SIDE TRACK W/2.5" FRAME - INSTRUCTIONS	1
2	61123573				T-SLOT DBL CANTILEVER SNGL SIDE TRACK W/2.5" FRAME - HARDWARE KIT	1
3	61123135				HARDWARE KIT CANTILEVER GATE STOP	2
4	61111213	BG	61111218	LB	T-SLOT SIDE TROLLEY BRACKET	4
	61111214	BK	61118426	MB		
	61111215	BZ	61111219	MF		
	61111216	GR	61118427	MZ		
	61111217	GY	61111220	WH		
5	61111189	BG	61111194	LB	T-SLOT BTM GUIDE BRACKET	4
	61111190	BK	61119095	MB		
	61111191	BZ	61111195	MF		
	61111192	GR	61119096	MZ		
	61111193	GY	61111196	WH		
6	61123575	BG	61123580	LB	T-SLOT BTM GUIDE BRACKET-SPACER PLATE	4
	61123576	BK	61118428	MB		
	61123577	BZ	61123581	MF		
	61123578	GR	61118429	MZ		
	61123579	GY	61123582	WH		
7	34110853				TROLLEY WHEEL TA-100	4
8	61123591	BG	61123596	LB	T-SLOT RECEIVER DBL 2.5" FRAME	1
	61123592	BK	61118430	MB		
	61123593	BZ	61123597	MF		
	61123594	GR	61118431	MZ		
	61123595	GY	61123598	WH		
9	61123583	BG	61123588	LB	T-SLOT RECEIVER GATE 2.5" FRAME	1
	61123584	BK	61118432	MB		
	61123585	BZ	61123589	MF		
	61123586	GR	61118433	MZ		
	61123587	GY	61123590	WH		
10	73022729	BG	61111036	LB	COVER CANTILEVER GATE TRACK	2
	73022730	BK	61119087	MB		
	73022731	BZ	61111037	MF		
	73022732	GR	61119088	MZ		
	61111035	GY	73022733	WH		
11	34110287				1.43" DIA. DERLIN GUIDE WHEEL	4

THE INFORMATION CONTAINED IN THIS DRAWING IS PROTECTED BY COPYRIGHT AND PATENT LAWS OF THE UNITED STATES AND OTHER COUNTRIES. ANY REPRODUCTION IN PART OR AS A WHOLE WITHOUT WRITTEN PERMISSION IS PROHIBITED.



		BARRETTE Outdoor Living	
DRAWN: JH	DATE: 11/03/2017	APPROVED:	
DESCRIPTION T-SLOT DBL CANTILEVER SNGL SIDE TRACK W/2.5" FRAME INSTRUCTIONS			
SHEET 1 OF 9		REVISION:	PART NUMBER
SCALE:			34110644
WEIGHT:			

ITEM #	PART #				DESCRIPTION	QTY
12	73022816	BG	73026018	GY	SCREW #14x1-1/2" HX HD SDS 410 SS	10
	73022817	BK	73022820	LB		
	73022818	BZ	73022415	MF		
	73022819	GR	73022821	WH		
13	73022648	BG	73022652	GY	SCREW #10x1" HX HD SDS 410 SS	4
	73022649	BK	73022653	LB		
	73022650	BZ	73022337	MF		
	73022651	GR	73022655	WH		
14	34110341				GREASE 3 OZ.	1
15	34110253				1/2"-13x1 1/2" SQ HD BOLT ZINC GRADE 5	8
16	34110254				1/2"-13x1 3/4" SQ HD BOLT ZINC GRADE 5	24
17	34110251				1/2" SPLIT LOCK WASHER ZINC	32
18	34110252				1/2"-13 HEX NUT ZINC	36
19	34110257				5/8" SHOULDER BOLT 1" LONG STEEL	4
20	34110215				NYLON WASHER .08x1.25x.75 ID	4
21	34110614				3/8"-16x3.5" CARRIAGE BOLT ZINC GRADE A307	2
22	34110107				3/8"-16 HEX NUT ZINC	2
23	34110281				3/8" WASHER ZINC	2
24	34110578				5/8"-11X1-3/4 BOLT HEX HD ZINC GRADE 5	2
25	34110579				5/8"-11 HEX NUT ZINC	2
26	34110580				5/8" FLAT WASHER ZINC	4

NOTE:

- 1.) ITEM #15 TO #23 IS PART OF 61113573 HARDWARE KIT (SEE SHEET 1-ITEM 2)
- 2.) ITEM #24 TO #26 IS PART OF 61123135 HARDWARE KIT (SEE SHEET 1-ITEM 3)
- 3.) FOR MATTE BLACK KITS USE BLACK SCREWS
- 4.) FOR MATTE BRONZE KITS USE LIGHT BRONZE SCREWS

THE INFORMATION CONTAINED IN THIS DRAWING IS PROTECTED BY COPYRIGHT AND PATENT LAWS OF THE UNITED STATES AND OTHER COUNTRIES. ANY REPRODUCTION IN PART OR AS A WHOLE WITHOUT WRITTEN PERMISSION IS PROHIBITED.

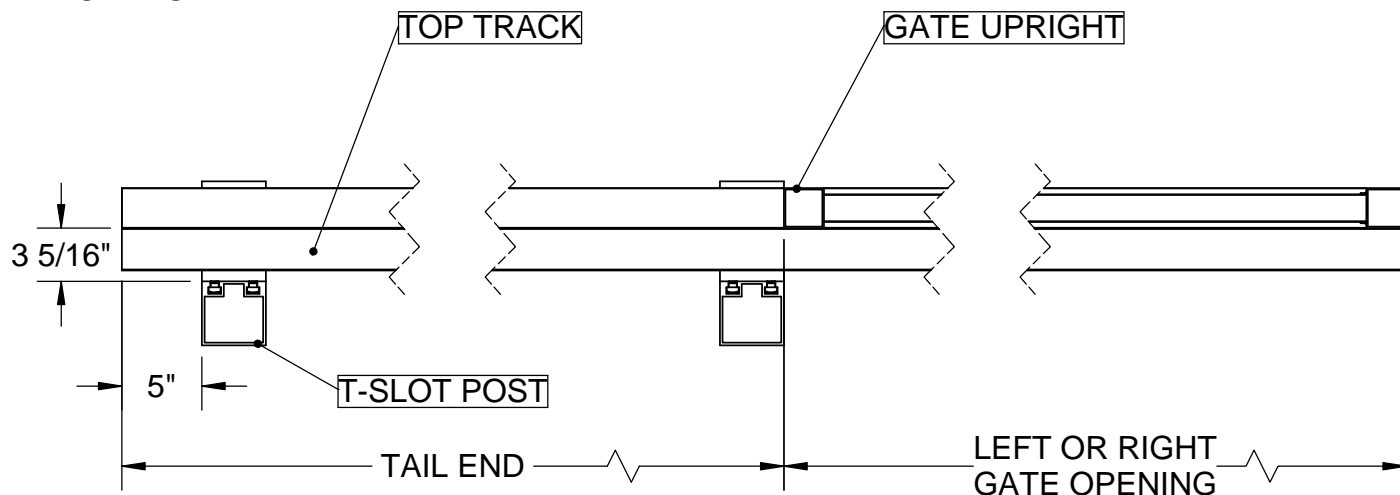
		BARRETTE Outdoor Living	
DRAWN: JH	DATE: 11/03/2017	APPROVED:	
DESCRIPTION T-SLOT DBL CANTILEVER SNGL SIDE TRACK W/2.5" FRAME INSTRUCTIONS			
SHEET 2 OF 9	REVISION: 	PART NUMBER	
SCALE:	34110644		
WEIGHT:			

INSTALLATION PROCEDURE:

- 1.SET T-SLOT POSTS IN THE GROUND - SEE POST LOCATION BELOW.
- 2.INSTALL BTM BRACKET (ITEM #5), SPACER (ITEM #6) AND GUIDE WHEEL (ITEM #11)
- SEE SHEET 4
- 3.INSTALL TOP BRACKET (ITEM #4) AND WHEEL TROLLEY (ITEM #7) - SEE SHEET 5
- 4.PLACE GATE IN THE POSITION - SLIDE GATE TOP TRACK INTO WHEEL TROLLEY (ITEM #7) AND BTM ROLLER GUIDE ON GUIDE WHEEL (ITEM #11) - SEE SHEET 6
5. INSTALL RECEIVER DBL(ITEM #8) AND GATE RECEIVER (ITEM #9) - SEE SHEET 7
6. INSTALL GATE STOP (BOLT- ITEM #24,NUT- ITEM #25, WASHER- ITEM #26) ON THE END OF THE TRACK - SEE SHEET 8 (**ONE GATE STOP REQUIRED ONLY - PER LEAF**)
- 7.INSTALL COVER TRACK (ITEM #10) ON THE END OF THE TRACK - SEE SHEET 9

NOTE:

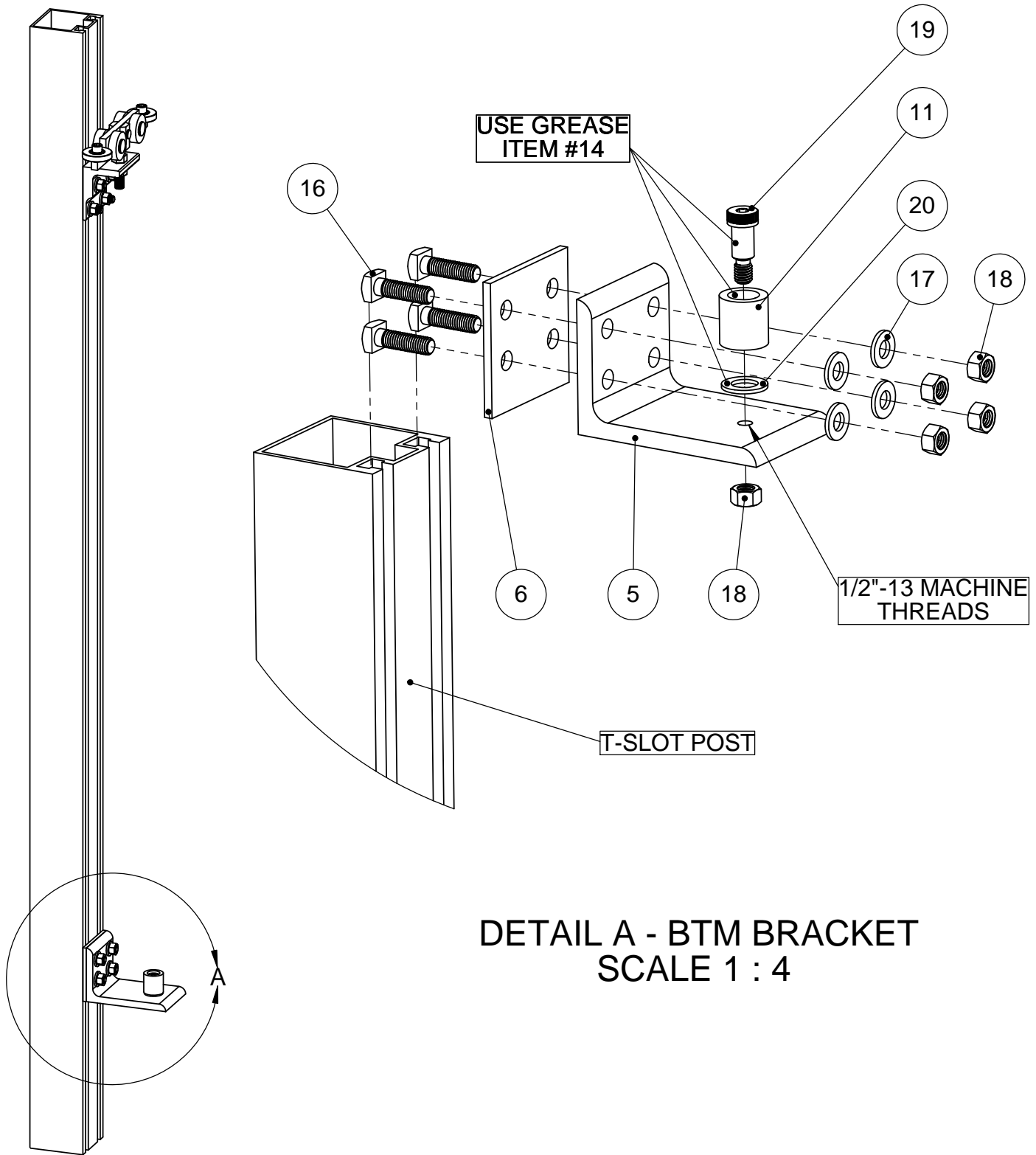
- **INSTALL BTM BRACKETS FIRST**
- **APPLY GREASE (ITEM #14) ON THE SHOULDER BOLTS (ITEM #19), INSIDE GUIDE WHEELS (ITEM # 11) AND TOP OF NYLON WASHER (ITEM #20). MAINTAIN GREASE EVERY 4 TO 6 MONTHS.**



POST LOCATION DETAIL
SCALE 1:12

Barrette		BARRETTE Outdoor Living	
DRAWN: JH	DATE: 11/03/2017	APPROVED:	
DESCRIPTION: T-SLOT DBL CANTILEVER SNGL SIDE TRACK W/ 2.5" FRAME INSTRUCTIONS			
SHEET 3 OF 9	REVISION	PART NUMBER	
SCALE 1:12	0	34110644	
WEIGHT:			

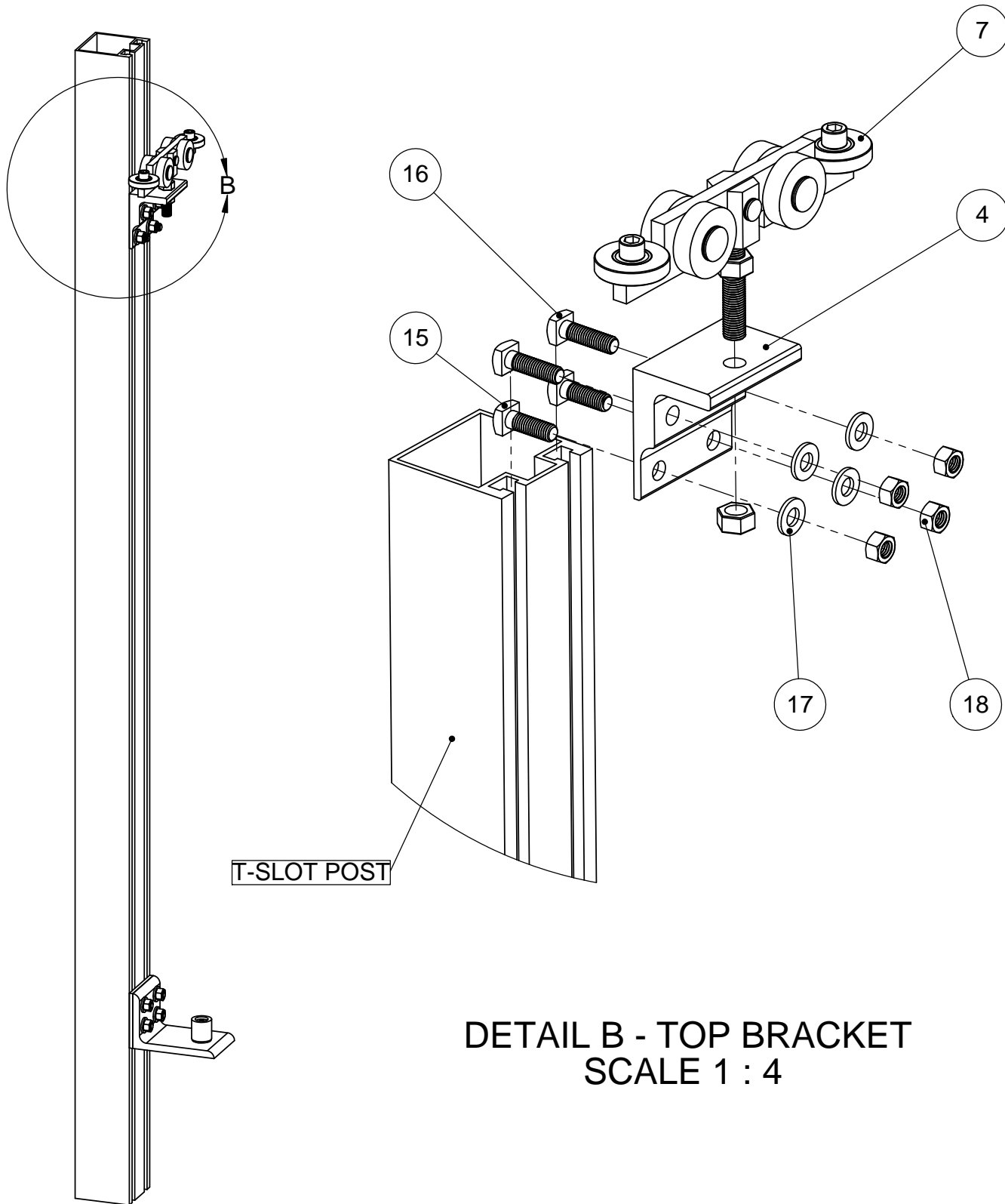
THE INFORMATION CONTAINED IN THIS DRAWING IS PROTECTED BY COPYRIGHT AND PATENT LAWS OF THE UNITED STATES AND OTHER COUNTRIES. ANY REPRODUCTION IN PART OR AS A WHOLE WITHOUT WRITTEN PERMISSION IS PROHIBITED.



DETAIL A - BTM BRACKET
SCALE 1 : 4

THE INFORMATION CONTAINED IN THIS DRAWING IS PROTECTED BY COPYRIGHT AND PATENT LAWS OF THE UNITED STATES AND OTHER COUNTRIES. ANY REPRODUCTION IN PART OR AS A WHOLE WITHOUT WRITTEN PERMISSION IS PROHIBITED.

Barrette		BARRETTE Outdoor Living	
DRAWN: JH	DATE: 11/03/2017	APPROVED:	
DESCRIPTION: T-SLOT DBL CANTILEVER SNGL SIDE TRACK W/2.5" FRAME INSTRUCTIONS			
SHEET 4 OF 9	REVISION	PART NUMBER	
SCALE 1:4	0	34110644	
WEIGHT:			

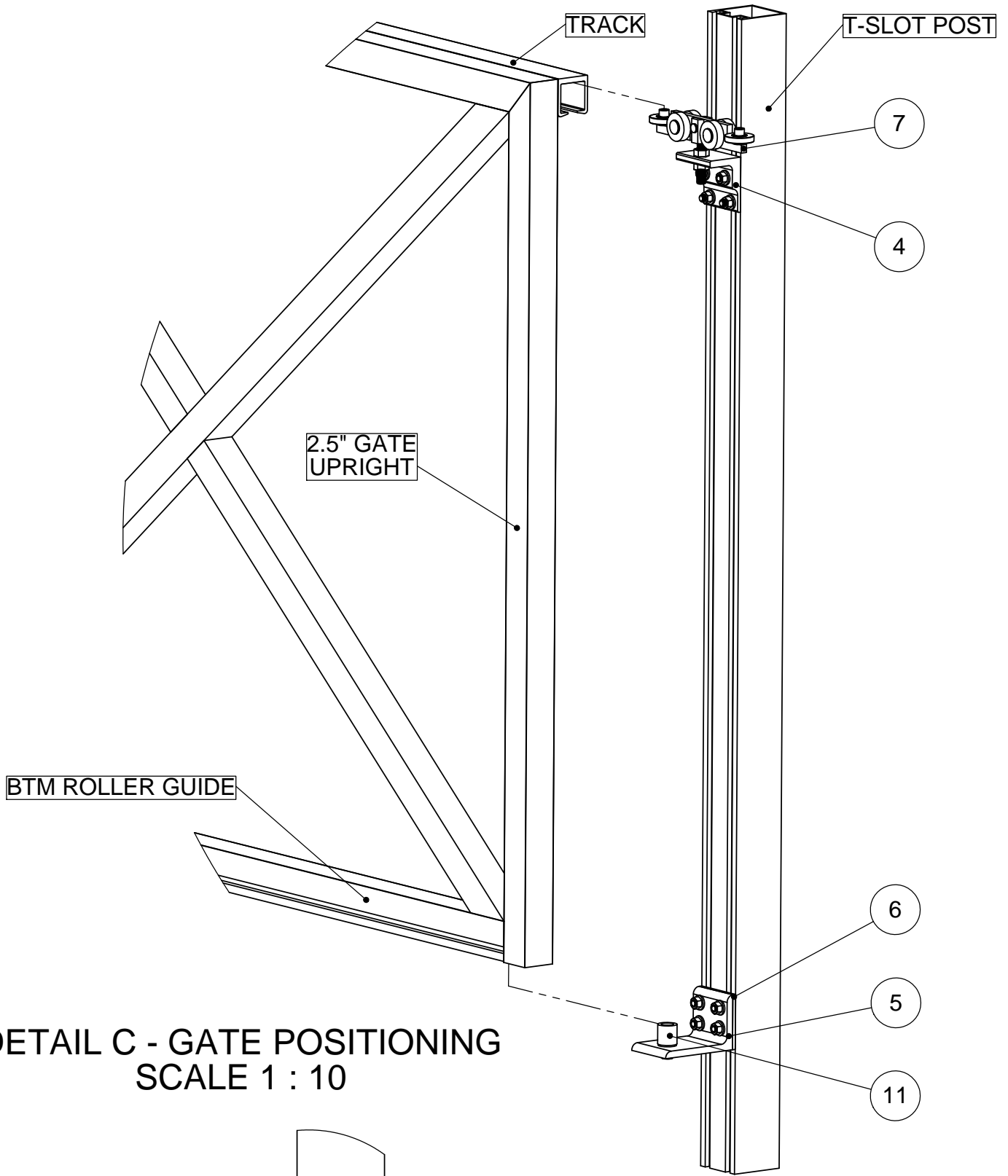


T-SLOT POST

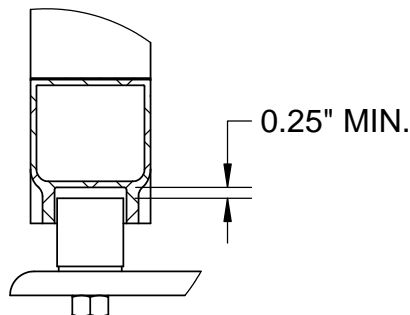
DETAIL B - TOP BRACKET
SCALE 1 : 4

THE INFORMATION CONTAINED IN THIS DRAWING IS PROTECTED BY COPYRIGHT AND PATENT LAWS OF THE UNITED STATES AND OTHER COUNTRIES. ANY REPRODUCTION IN PART OR AS A WHOLE WITHOUT WRITTEN PERMISSION IS PROHIBITED.

Barrette		BARRETTE Outdoor Living	
DRAWN: JH	DATE: 11/03/2017	APPROVED:	
DESCRIPTION: T-SLOT DBL CANTILEVER SNGL SIDE TRACK W/2.5" FRAME INSTRUCTIONS			
SHEET 5 OF 9	REVISION	PART NUMBER	
SCALE 1:4	0	34110644	
WEIGHT:			



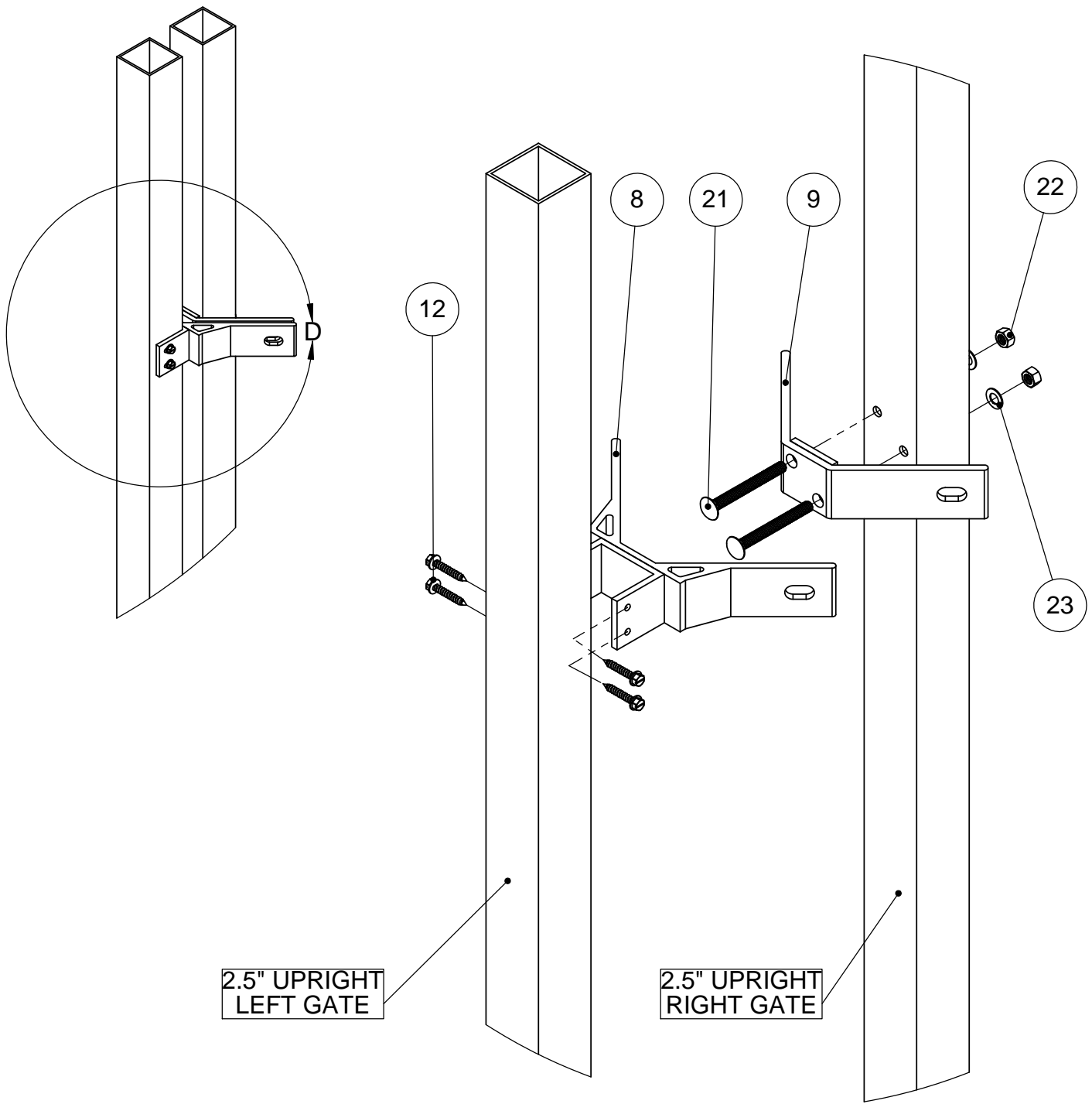
DETAIL C - GATE POSITIONING
SCALE 1 : 10



BTM ROLLER GUIDE-DETAIL
SCALE 1 : 4

THE INFORMATION CONTAINED IN THIS DRAWING IS PROTECTED BY COPYRIGHT AND PATENT LAWS OF THE UNITED STATES AND OTHER COUNTRIES. ANY REPRODUCTION IN PART OR AS A WHOLE WITHOUT WRITTEN PERMISSION IS PROHIBITED.

Barrette		BARRETTE	
		Outdoor Living	
DRAWN: JH	DATE: 11/03/2017	APPROVED:	
DESCRIPTION: T-SLOT DBL CANTILEVER SNGL SIDE TRACK W/2.5" FRAME INSTRUCTIONS			
SHEET 6 OF 9	REVISION	PART NUMBER	
SCALE 1:10	0	34110644	
WEIGHT:			



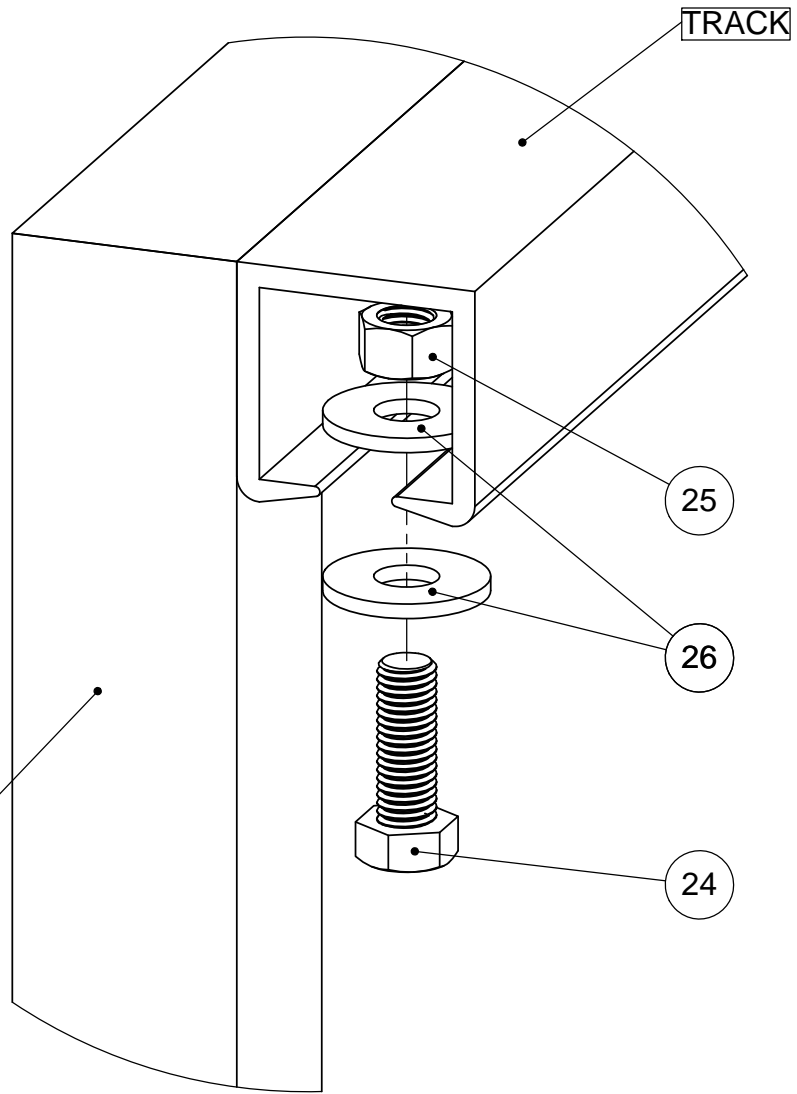
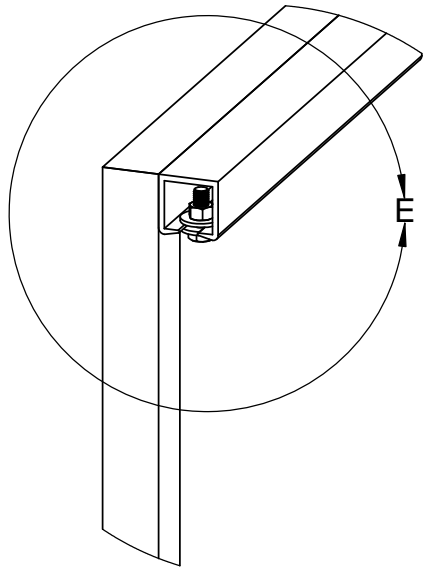
2.5" UPRIGHT
LEFT GATE

2.5" UPRIGHT
RIGHT GATE

DETAIL D - RECEIVER
SCALE 1 : 5

THE INFORMATION CONTAINED IN THIS DRAWING IS PROTECTED BY COPYRIGHT AND PATENT LAWS OF THE UNITED STATES AND OTHER COUNTRIES. ANY REPRODUCTION IN PART OR AS A WHOLE WITHOUT WRITTEN PERMISSION IS PROHIBITED.

Barrette		BARRETTE Outdoor Living	
DRAWN: JH	DATE: 11/03/2017	APPROVED:	
DESCRIPTION: T-SLOT DBL CANTILEVER SNGL SIDE TRACK W/2.5" FRAME INSTRUCTIONS			
SHEET 7 OF 9	REVISION	PART NUMBER	
SCALE 1:5	0	34110644	
WEIGHT:			



2.5" GATE UPRIGHT

TRACK

25

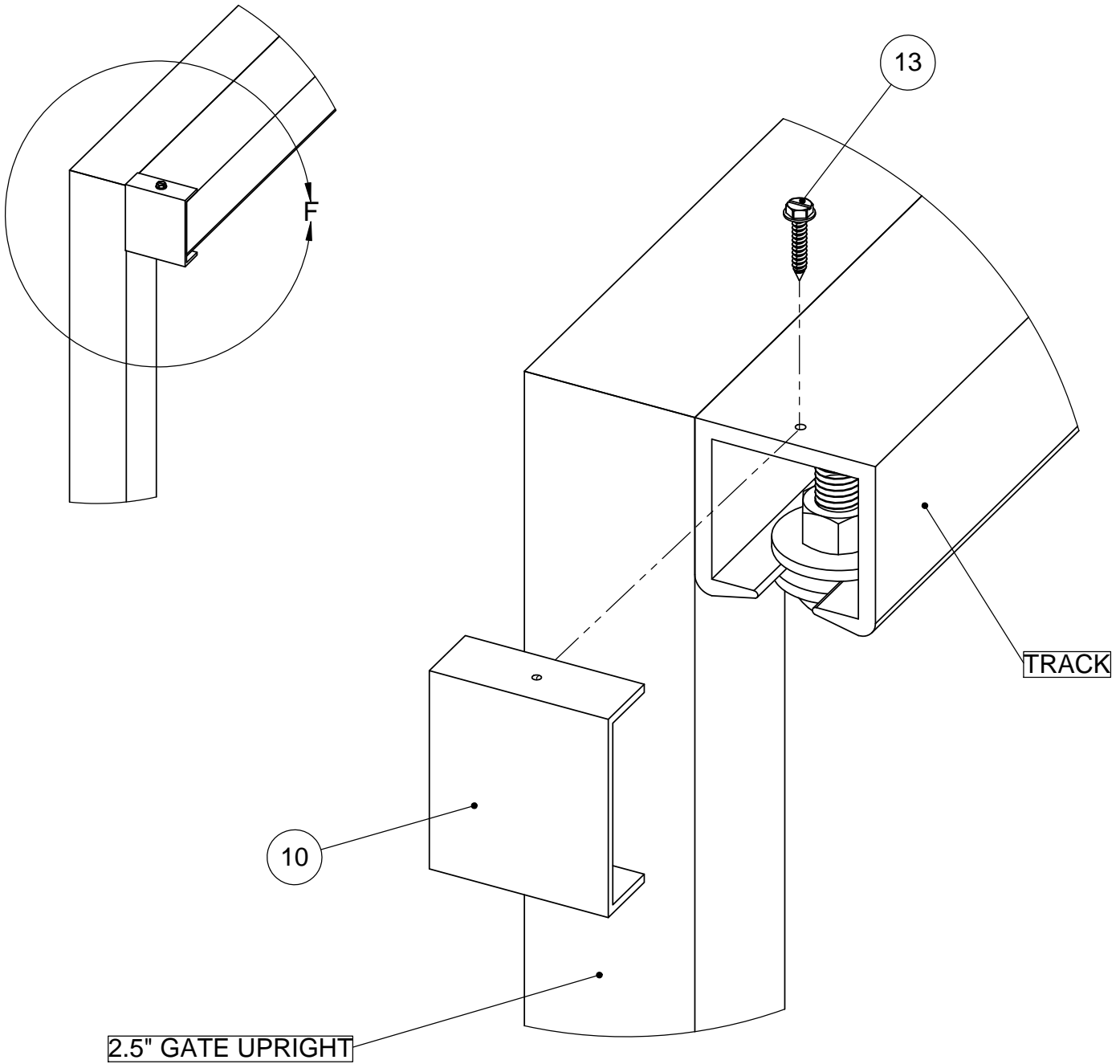
26

24

DETAIL E - GATE STOP
SCALE 1 : 2

THE INFORMATION CONTAINED IN THIS DRAWING IS PROTECTED BY COPYRIGHT AND PATENT LAWS OF THE UNITED STATES AND OTHER COUNTRIES. ANY REPRODUCTION IN PART OR AS A WHOLE WITHOUT WRITTEN PERMISSION IS PROHIBITED.

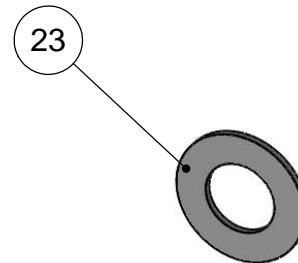
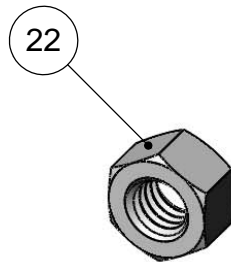
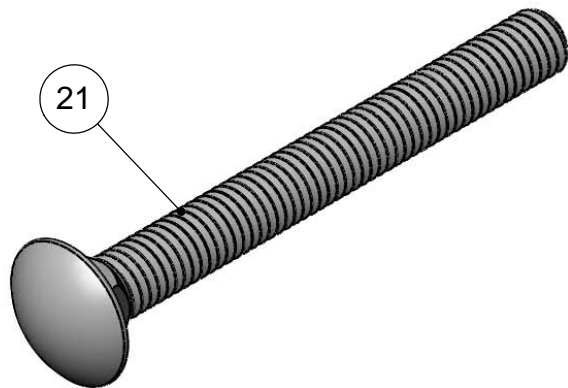
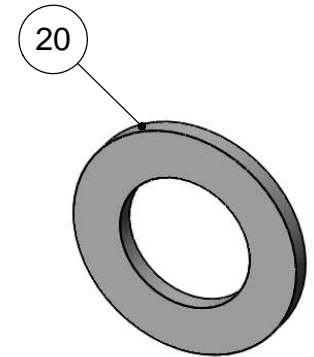
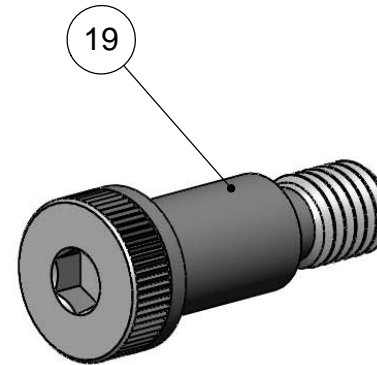
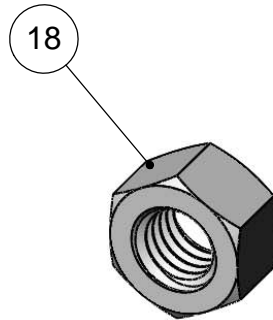
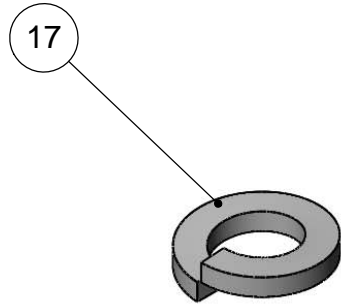
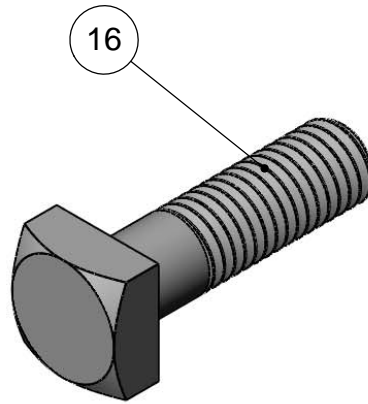
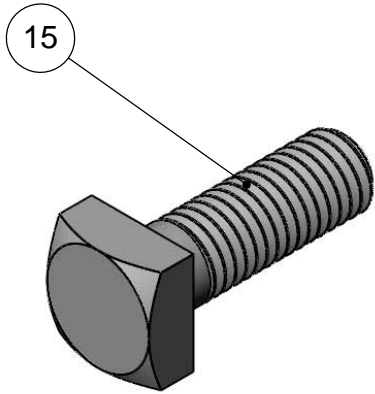
		BARRETTE Outdoor Living	
DRAWN: JH	DATE: 11/03/2017	APPROVED:	
DESCRIPTION: T-SLOT DBL CANTILEVER SNGL SIDE TRACK W/2.5" FRAME INSTRUCTIONS			
SHEET 8 OF 9	REVISION	PART NUMBER	
SCALE 1:2		34110644	
WEIGHT:			



DETAIL F - COVER TRACK
SCALE 1 : 2

Barrette		BARRETTE Outdoor Living	
DRAWN: JH	DATE: 11/03/2017	APPROVED:	
DESCRIPTION: T-SLOT DBL CANTILEVER SNGL SIDE TRACK 2.5" FRAME INSTRUCTIONS			
SHEET 9 OF 9	REVISION	PART NUMBER	
SCALE 1:2	0	34110644	
WEIGHT:			

THE INFORMATION CONTAINED IN THIS DRAWING IS PROTECTED BY COPYRIGHT AND PATENT LAWS OF THE UNITED STATES AND OTHER COUNTRIES. ANY REPRODUCTION IN PART OR AS A WHOLE WITHOUT WRITTEN PERMISSION IS PROHIBITED.

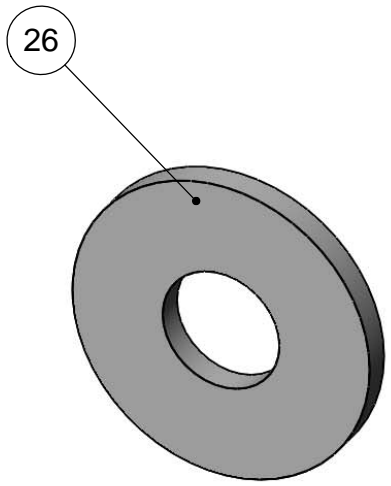
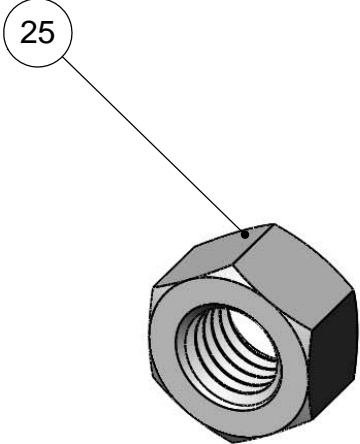
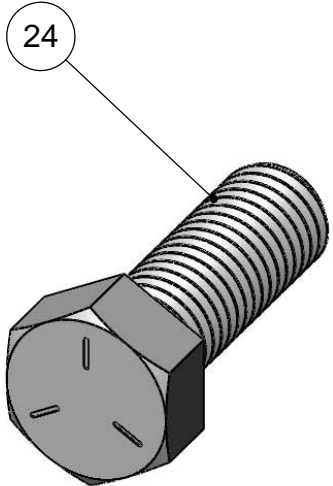


ITEM #	PART #	DESCRIPTION	QTY
15	34110253	1/2"-13x1 1/2" SQ HD BOLT ZINC GRADE 5	8
16	34110254	1/2"-13x1 3/4" SQ HD BOLT ZINC GRADE 5	24
17	34110251	1/2" SPLIT LOCK WASHER ZINC	32
18	34110252	1/2"-13 HEX NUT ZINC	36
19	34110257	5/8" SHOULDER BOLT 1" LONG STEEL	4
20	34110215	NYLON WASHER .08x1.25x.75 ID	4
21	34110614	3/8"-16x3.5" CARRIAGE BOLT ZINC GRADE A307	2
22	34110107	3/8"-16 HEX NUT ZINC	2
23	34110281	3/8" WASHER ZINC	2

THE INFORMATION CONTAINED IN THIS DRAWING IS PROTECTED BY COPYRIGHT AND PATENT LAWS OF THE UNITED STATES AND OTHER COUNTRIES. ANY REPRODUCTION IN PART OR AS A WHOLE WITHOUT WRITTEN PERMISSION IS PROHIBITED.

		BARRETTE Outdoor Living	
DRAWN: JH	DATE: 11/03/2017	APPROVED:	
DESCRIPTION: T-SLOT IMPERIAL DBL CANTILEVER SNGL SIDE TRACK W/2.5" FRAME HARDWARE KIT			
SHEET 1 OF 1	REVISION	PART NUMBER	
SCALE 1:1		61123573	
WEIGHT:			

ITEM #	PART #	DESCRIPTION	QTY
24	34110578	5/8"-11X1-3/4 BOLT HEX HD ZINC GRADE 5	1
25	34110579	5/8"-11 HEX NUT ZINC	1
26	34110580	5/8" FLAT WASHER ZINC	2



THE INFORMATION CONTAINED IN THIS DRAWING IS PROTECTED BY COPYRIGHT AND PATENT LAWS OF THE UNITED STATES AND OTHER COUNTRIES. ANY REPRODUCTION IN PART OR AS A WHOLE WITHOUT WRITTEN PERMISSION IS PROHIBITED.

		BARRETTE Outdoor Living	
DRAWN: JH	DATE: 11/03/2017	APPROVED:	
DESCRIPTION: HARDWARE KIT CANTILEVER GATE STOP			
SHEET 1 OF 1	REVISION	PART NUMBER	
SCALE 1:1		61123135	
WEIGHT:			