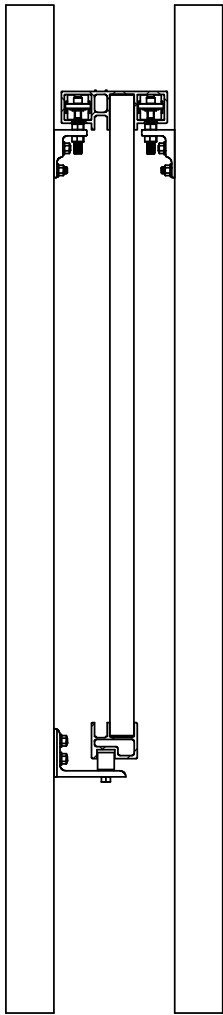




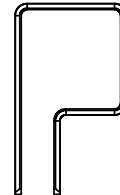
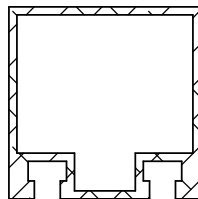
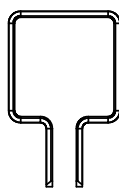
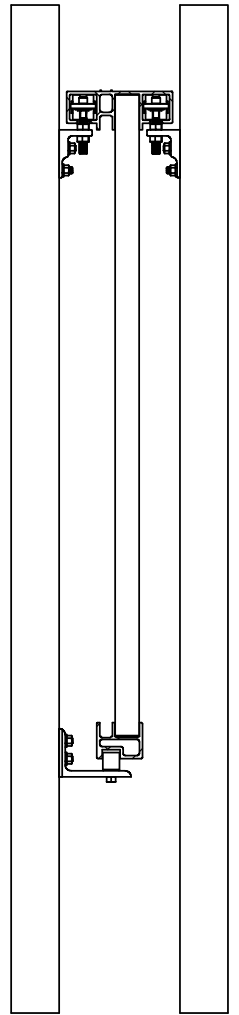
# T-SLOT DOUBLE CHAINLINK CANTILEVER

DOUBLE TRACK BTM FRAME GUIDE

Installation Kit - Instructions





SKU	COLOR
61123255	BEIGE
61123256	BLACK
61123257	FLORIDA BRONZE
61123258	GREEN
61123259	GRAY
61123260	LIGHT BRONZE
61118974	MATTE BLACK
61123261	MILL
61118975	MATTE BRONZE
61123262	WHITE



ITEM #	PART #				DESCRIPTION	QTY
1	34110609				T-SLOT DOUBLE CHAINLINK CANTILEVER DOUBLE TRACK BTM FRAME GUIDE -INSTRUCTIONS	1
2	61111223				T-SLOT DOUBLE CANTILEVER DOUBLE SIDE TRACK - HARDWARE KIT	1
3	61123135				HARDWARE KIT CANTILEVER GATE STOP	2
4	61111213	BG	61111218	LB	T-SLOT SIDE TROLLEY BRACKET	8
	61111214	BK	61118426	MB		
	61111215	BZ	61111219	MF		
	61111216	GR	61118427	MZ		
	61111217	GY	61111220	WH		
5	61111189	BG	61111194	LB	T-SLOT BTM GUIDE BRACKET	4
	61111190	BK	61119095	MB		
	61111191	BZ	61111195	MF		
	61111192	GR	61119096	MZ		
	61111193	GY	61111196	WH		
6	73022674				8 WHEEL TROLLEY	8
7	61111046	BG	61111170	LB	T-SLOT RECEIVER DBL	1
	61111047	BK	61119091	MB		
	61111048	BZ	61111171	MF		
	61111049	GR	61119092	MZ		
	61111169	GY	61111172	WH		
8	61111173	BG	61111178	LB	T-SLOT RECEIVER GATE	1
	61111174	BK	61119093	MB		
	61111175	BZ	61111179	MF		
	61111176	GR	61119094	MZ		
	61111177	GY	61111180	WH		
9	61123151	BG	61123156	LB	CHAINLINK COVER - DOUBLE TRACK	2
	61123152	BK	61119113	MB		
	61123153	BZ	61123157	MF		
	61123154	GR	61119051	MZ		
	61123155	GY	61123158	WH		
10	61123159	BG	61123164	LB	CHAINLINK COVER - BTM GUIDE FRAME	2
	61123160	BK	61119052	MB		
	61123161	BZ	61123165	MF		
	61123162	GR	61119053	MZ		
	61123163	GY	61123166	WH		
11	34110287				1.43" DIA. DERLIN GUIDE WHEEL	4

THE INFORMATION CONTAINED IN THIS DRAWING IS PROTECTED BY COPYRIGHT AND PATENT LAWS OF THE UNITED STATES AND OTHER COUNTRIES. ANY REPRODUCTION IN PART OR AS A WHOLE WITHOUT WRITTEN PERMISSION IS PROHIBITED.

		<b>BARRETTE Outdoor Living</b>	
DRAWN: JS	DATE: 09/19/2017	APPROVED:	
DESCRIPTION: T-SLOT DBL CHLINK CNT DBL TRK INSTR			
SHEET 1 OF 13	REVISION:	PART NUMBER	
SCALE:		34110609	
WEIGHT:			

12	73022816	BG	73026018	GY	SCREW #14X1-1/2 HX HD SDS 410 SS	10
	73022817	BK	73022820	LB		
	73022818	BZ	73022415	MF		
	73022819	GR	73022821	WH		
13	61124153	BK	73022455	MF	CHAIN LINK TENSION BAND	TBD*
14	61124154	BK	73022456	MF	BARBED WIRE BRACE BAND	12**
15	34110107				3/8"-16 HEX NUT ZINC	TBD***
16	34110108				3/8"-16X1-1/2" CARRIAGE BOLT ZINC GRADE A307	TBD***
17	34110341				GREASE 3 OZ.	1
18	34110253				1/2"-13x1 1/2" SQ HD BOLT ZINC GRADE 5	32
19	34110254				1/2"-13x1 3/4" SQ HD BOLT ZINC GRADE 5	16
20	34110251				1/2" SPLIT LOCK WASHER ZINC	48
21	34110252				1/2"-13 HEX NUT ZINC	52
22	34110257				5/8" SHOULDER BOLT 1" LONG STEEL	4
23	34110215				NYLON WASHER .08x1.25x.75 ID	4
24	34110256				3/8"-16x3" CARRIAGE BOLT ZINC GRADE A307	2
25	34110107				3/8"-16 HEX NUT ZINC	2
26	34110281				3/8" WASHER ZINC	2
27	34110578				5/8"-11X1-3/4 BOLT HEX HD ZINC GRADE 5	1
28	34110579				5/8"-11 HEX NUT ZINC	1
29	34110580				5/8" FLAT WASHER ZINC	2
30	34110586				U-BOLT 1/2"-13x4" SQ GALVANIZED	1
31	34110587				1/2"-13 HEX NUT GALVANIZED	2
32	64110588				1/2" WASHER GALVANIZED	2
33	61124157	BK	61124155	MF	BOLT-ON BARB WIRE UPRIGHT	TBD****
34	34110855				SCREW - 5/16-12 X 1-1/2 HWH SDS ZINC	TBD*****

**NOTE:**

- 1.) ITEM #18 TO #26 IS PART OF 61111223 HARDWARE KIT ( SEE SHEET 1 - ITEM 2)
- 2.) ITEM #27 TO #29 IS PART OF 61123135 HARDWARE KIT ( SEE SHEET 1 - ITEM 3)
- 3.) FOR MATTE BLACK KITS USE BLACK SCREWS
- 4.) FOR MATTE BRONZE KITS USE LIGHT BRONZE SCREWS

\* - QUANTITY DETERMINED BY GATE HEIGHT - SEE TABLE BELOW

\*\* - ONLY IF BARBED WIRE BRACE BAND REQUIRED



\*\*\* - SAME NUMBER AS CHAIN LINK TENSION BAND  
+ 12 ( IF BARBED WIRE BRACE BAND REQUIRED)

\*\*\*\* - QUANTITY DETERMINED BY NUMBER OF UPRIGHTS IN THE GATE OPENING

\*\*\*\*\* - NUMBER OF ITEMS FROM ROW 33 MULTIPLIED BY 2

GATE HEIGHT (FT)	NUMBER OF TENSION BANDS-PER SINGLE GATE
4	6
5	8
6	10
8	14

THE INFORMATION CONTAINED IN THIS DRAWING IS PROTECTED BY COPYRIGHT AND PATENT LAWS OF THE UNITED STATES AND OTHER COUNTRIES. ANY REPRODUCTION IN PART OR AS A WHOLE WITHOUT WRITTEN PERMISSION IS PROHIBITED.

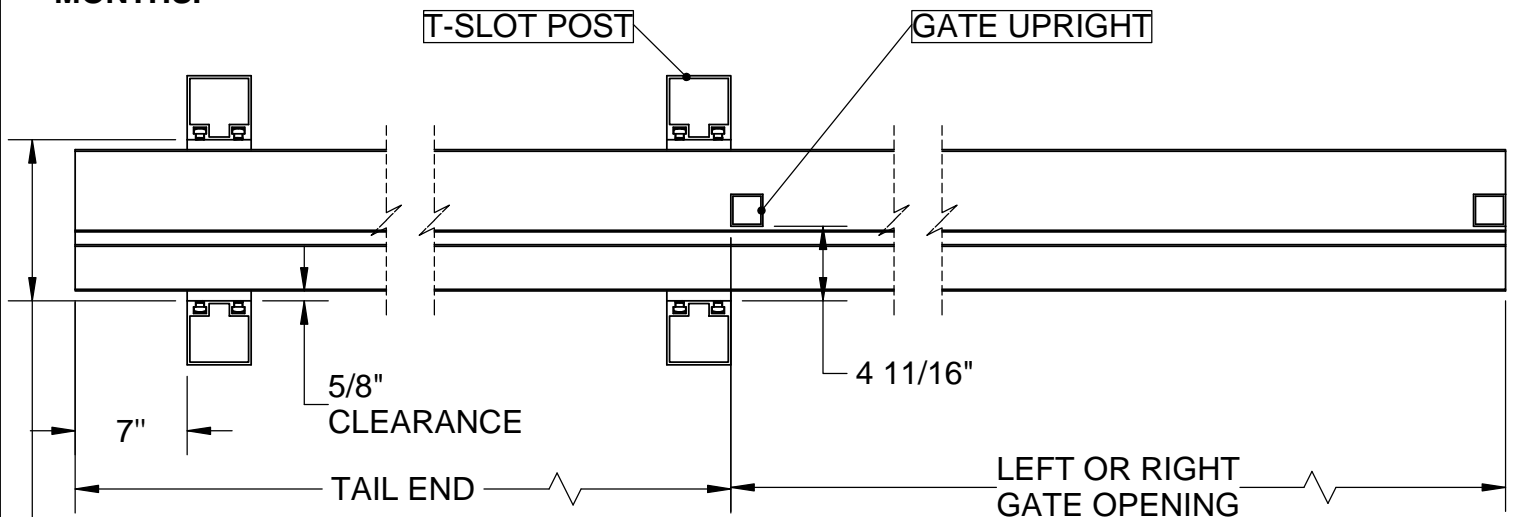
		<b>BARRETTE Outdoor Living</b>	
DRAWN: JS	DATE: 09/19/2017	APPROVED:	
DESCRIPTION: T-SLOT DBL CHLINK CNT DBL TRK INSTR			
SHEET 2 OF 13	REVISION:	PART NUMBER	
SCALE:		<b>34110609</b>	
WEIGHT:			

# INSTALLATION PROCEDURE:

- 1.SET T-SLOT POSTS IN THE GROUND - SEE POST LOCATION BELOW.
- 2.INSTALL BTM BRACKET (ITEM #5) AND GUIDE WHEEL ( ITEM #11) - SEE SHEET 4
- 3.INSTALL TOP BRACKET (ITEM #4) AND WHEEL TROLLEY ( ITEM #6) - SEE SHEET 5
- 4.PLACE GATE IN THE POSITION - SLIDE GATE TOP TRACK INTO WHEEL TROLLEY (ITEM #6) AND BTM ROLLER GUIDE FRAME ON GUIDE WHEEL (ITEM #11) - SEE SHEET 6
- 5.INSTALL RECEIVER DBL (ITEM #7) AND GATE RECEIVER (ITEM #8)- SEE SHEET 7
- 6.INSTALL GATE STOP (BOLT-ITEM #27,NUT- ITEM #28,WASHERS-ITEM # 29) ON THE END OF THE TRACK - SEE SHEET 8 ( **ONE GATE STOP REQUIRED ONLY - PER LEAF**)
- 7.INSTALL COVER-TOP TRACK (ITEM #9) ON THE END OF THE TOP TRACK - SEE SHEET 9
- 8.INSTALL COVER-BTM FRAME (ITEM #10) ON THE END OF THE BTM FRAME - SEE SHEET 10
- 9.INSTALL TENSION BANDS (ITEM #13) ON THE UPRIGHT - SEE SHEET 11 ( IF REQUIRED)
- 10.INSTALL BARBED WIRE TENSION UPRIGHTS (ITEM #33) ON TOP TRACK. UPRIGHTS NEEDS TO BE WELDED (BY MANUFACTURER) OR BOLTED (BY CUSTOMER) - SEE SHEET 12 (IF REQUIRED)
- 11.INSTALL BARBED WIRE TENSION BANDS (ITEM #14) ON THE UPRIGHT - SEE SHEET 13 ( IF REQUIRED)

## NOTE:

- **APPLY GREASE (ITEM #17) ON THE SHOULDER BOLTS (ITEM #22), INSIDE GUIDE WHEELS (ITEM # 11) AND TOP OF NYLON WASHER (ITEM #23). MAINTAIN GREASE EVERY 4 TO 6 MONTHS.**

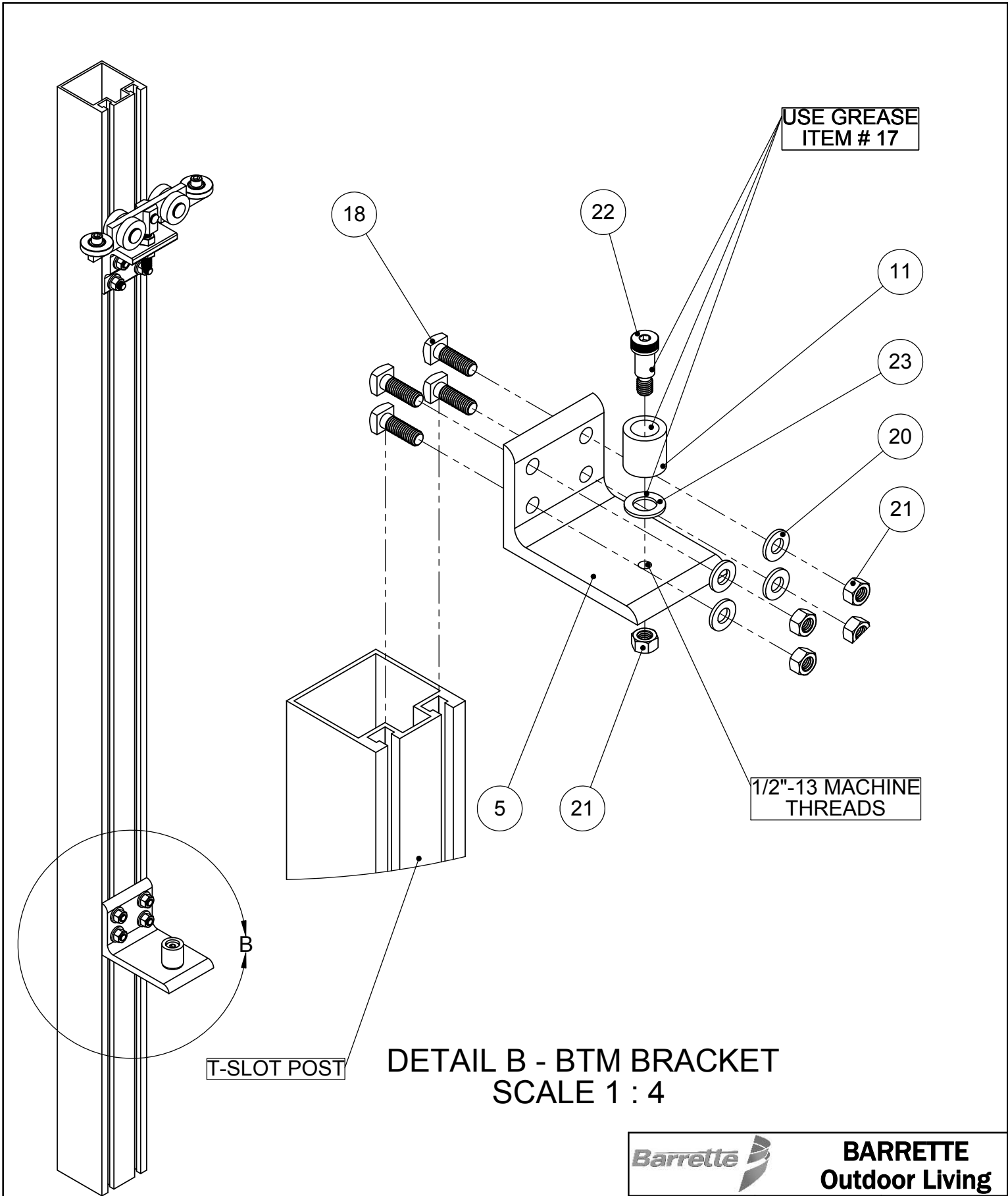


10 1/8"  
BETWEEN POSTS

**POST LOCATION DETAIL  
SCALE 1:12**

<b>Barrette</b>		<b>BARRETTE Outdoor Living</b>	
DRAWN: JS	DATE: 09/19/2017	APPROVED:	
DESCRIPTION: <b>T-SLOT DBL CHLINK CNT DBL TRK INSTR</b>			
SHEET 3 OF 13	REVISION	PART NUMBER	
SCALE 1:12	0	<b>34110609</b>	
WEIGHT:			

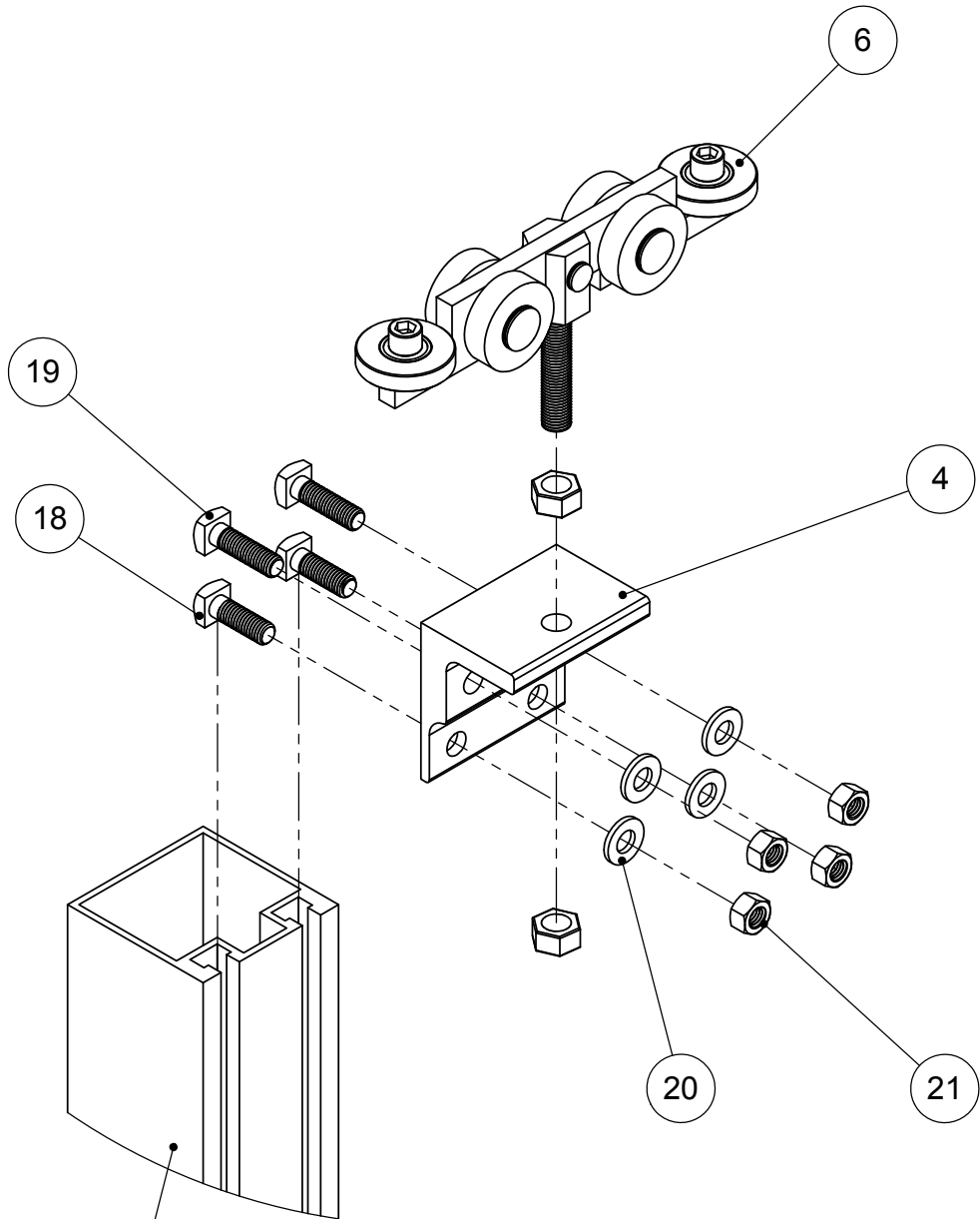
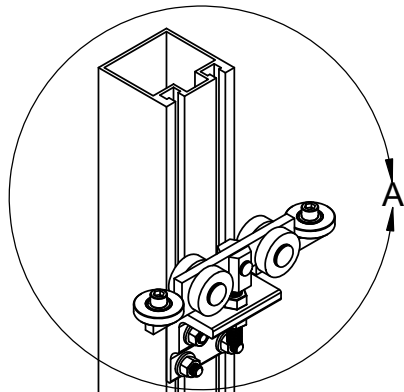
THE INFORMATION CONTAINED IN THIS DRAWING IS PROTECTED BY COPYRIGHT AND PATENT LAWS OF THE UNITED STATES AND OTHER COUNTRIES. ANY REPRODUCTION IN PART OR AS A WHOLE WITHOUT WRITTEN PERMISSION IS PROHIBITED.



**DETAIL B - BTM BRACKET**  
**SCALE 1 : 4**

THE INFORMATION CONTAINED IN THIS DRAWING IS PROTECTED BY COPYRIGHT AND PATENT LAWS OF THE UNITED STATES AND OTHER COUNTRIES. ANY REPRODUCTION IN PART OR AS A WHOLE WITHOUT WRITTEN PERMISSION IS PROHIBITED.

<b>Barrette</b>		<b>BARRETTE</b>	
		<b>Outdoor Living</b>	
DRAWN: JS	DATE: 09/19/2017	APPROVED:	
DESCRIPTION: T-SLOT DBL CHLINK CNT DBL TRK INSTR			
SHEET 4 OF 13	REVISION	PART NUMBER	
SCALE 1:4	0	34110609	
WEIGHT:			

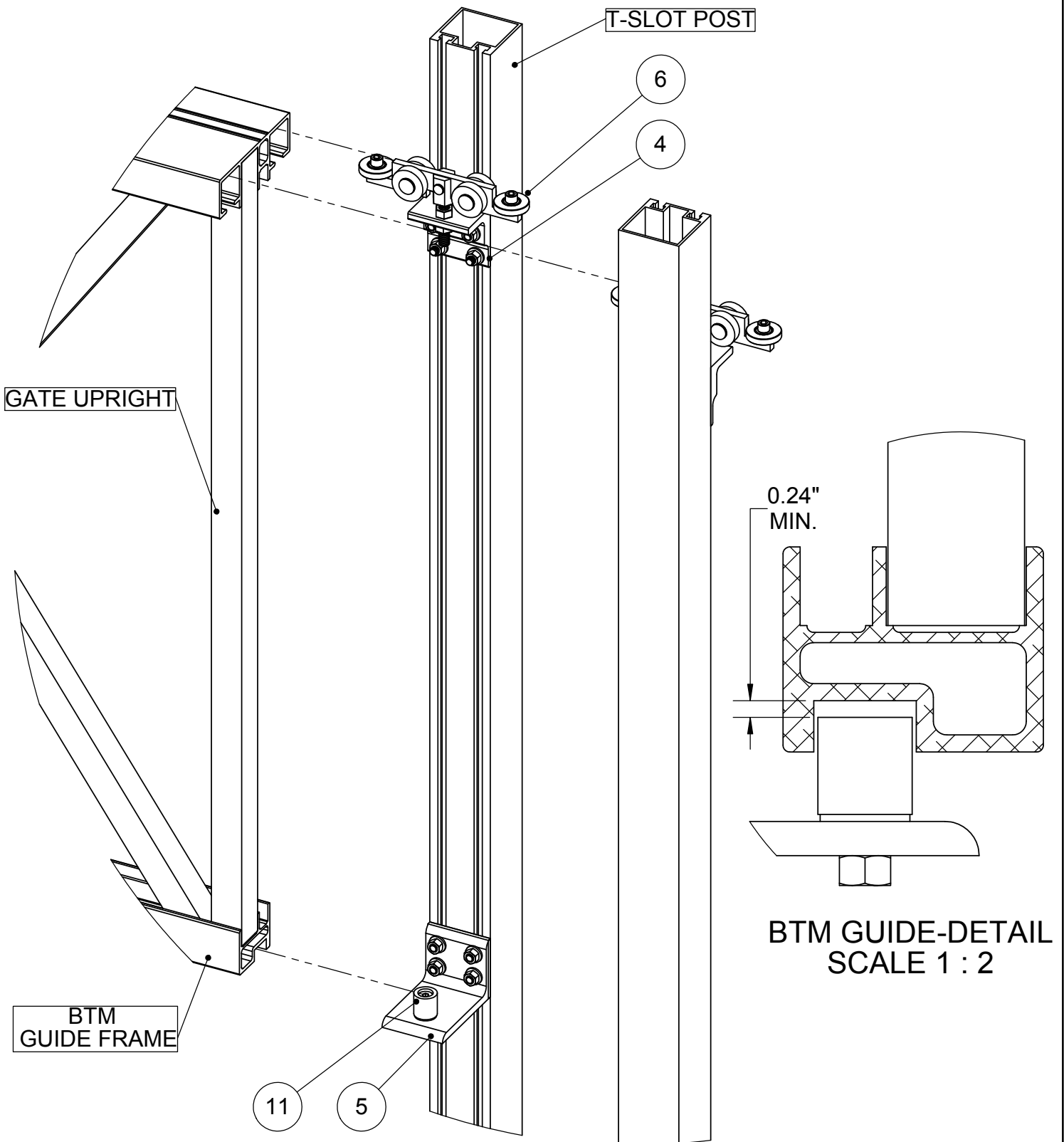


T-SLOT POST

DETAIL A - TOP BRACKET  
SCALE 1 : 4

THE INFORMATION CONTAINED IN THIS DRAWING IS PROTECTED BY COPYRIGHT AND PATENT LAWS OF THE UNITED STATES AND OTHER COUNTRIES. ANY REPRODUCTION IN PART OR AS A WHOLE WITHOUT WRITTEN PERMISSION IS PROHIBITED.

<b>Barrette</b>		<b>BARRETTE Outdoor Living</b>	
DRAWN: JS	DATE: 09/19/2017	APPROVED:	
DESCRIPTION: T-SLOT DBL CHLINK CNT DBL TRK INSTR			
SHEET 5 OF 13	REVISION	PART NUMBER	
SCALE 1:4	0	34110609	
WEIGHT:			



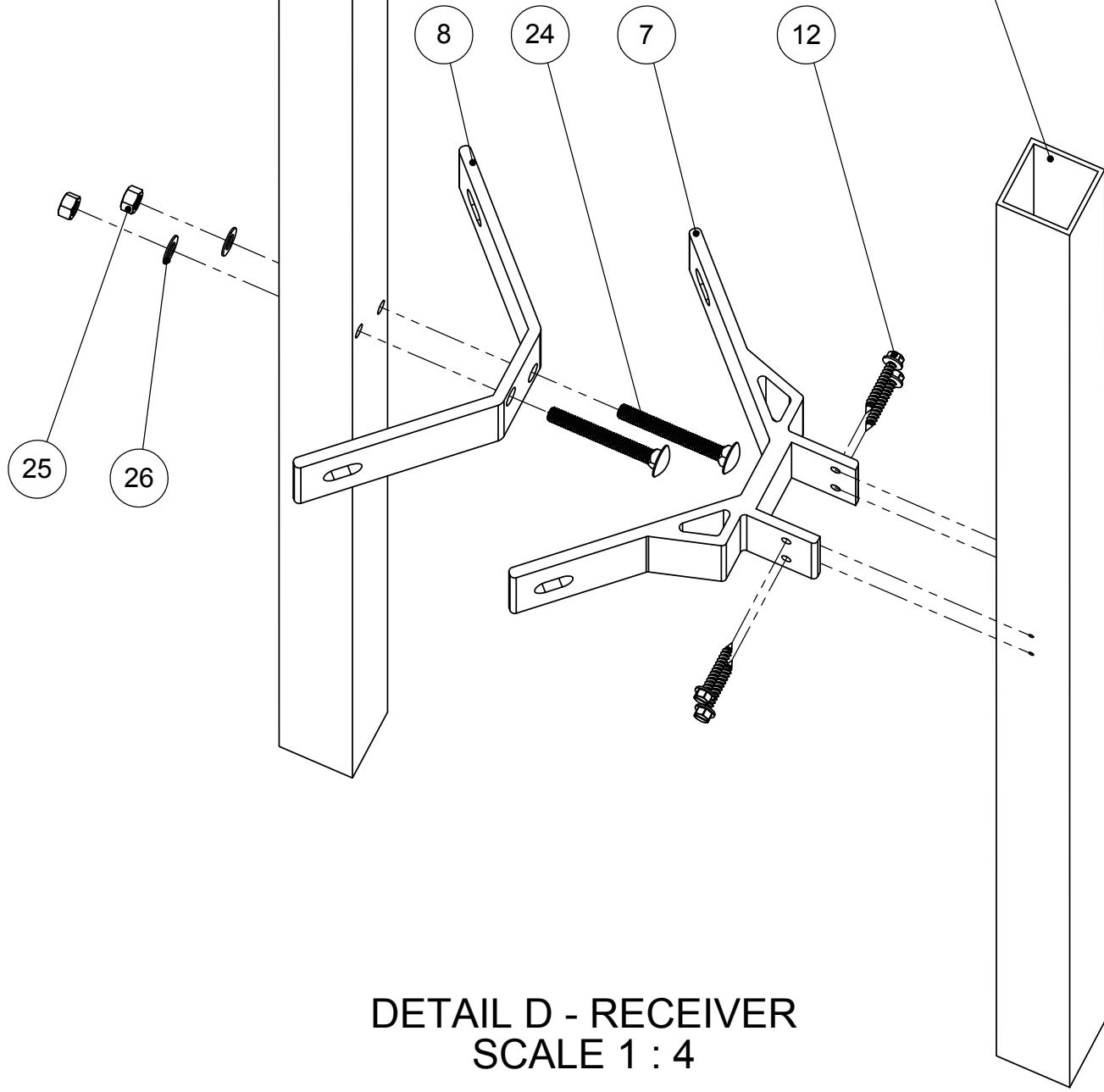
**DETAIL C - GATE POSITIONING**  
**SCALE 1 : 8**

THE INFORMATION CONTAINED IN THIS DRAWING IS PROTECTED BY COPYRIGHT AND PATENT LAWS OF THE UNITED STATES AND OTHER COUNTRIES. ANY REPRODUCTION IN PART OR AS A WHOLE WITHOUT WRITTEN PERMISSION IS PROHIBITED.

<b>Barrette</b>		<b>BARRETTE</b> <b>Outdoor Living</b>	
DRAWN: JS	DATE: 09/19/2017	APPROVED:	
DESCRIPTION: T-SLOT DBL CHLINK CNT DBL TRK INSTR			
SHEET 6 OF 13	REVISION	PART NUMBER	
SCALE 1:8	0	34110609	
WEIGHT:			

2" UPRIGHT  
LEFT GATE

2" UPRIGHT  
RIGHT GATE

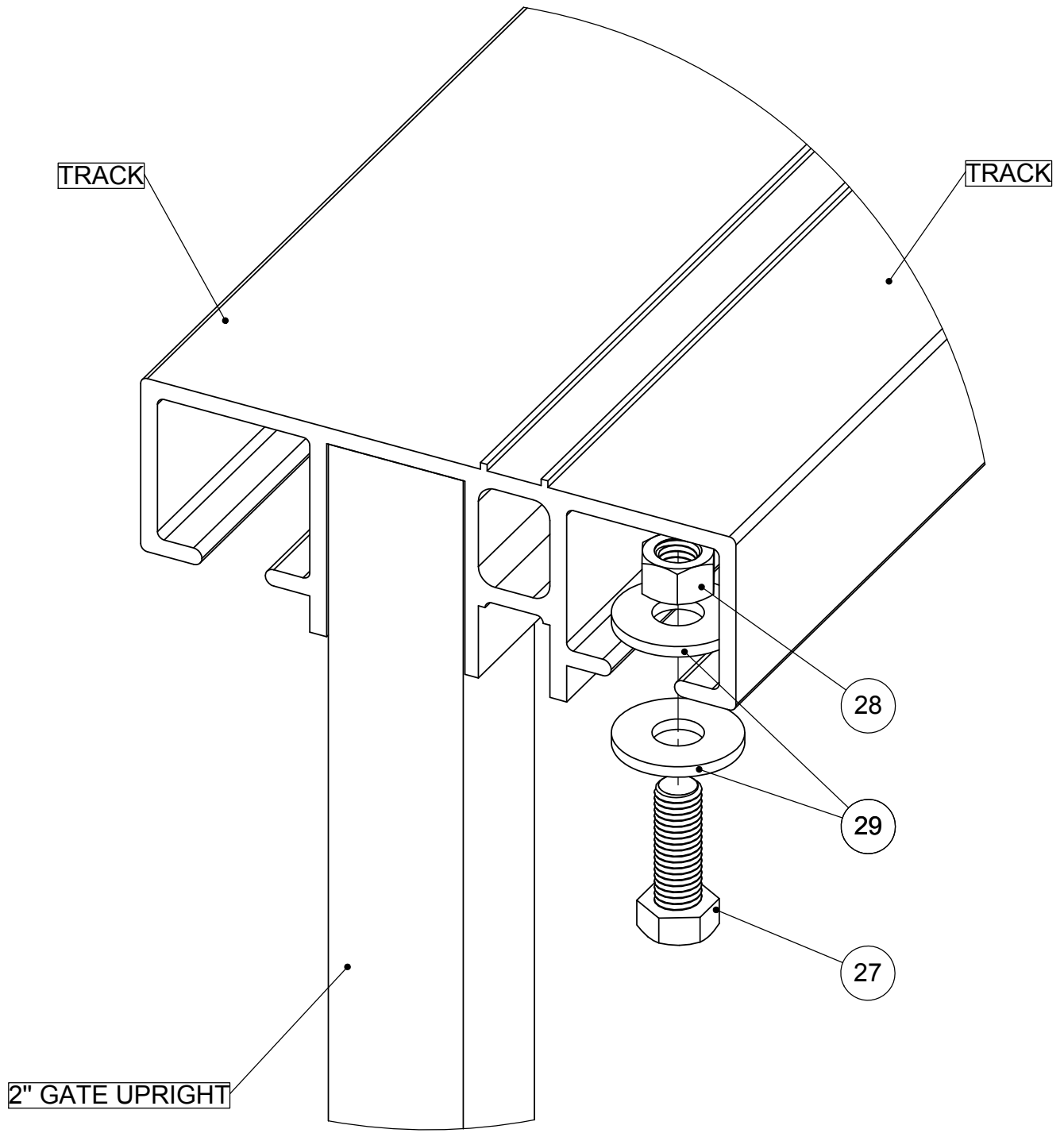


DETAIL D - RECEIVER  
SCALE 1 : 4

<b>Barrette</b>		<b>BARRETTE Outdoor Living</b>	
DRAWN: JS	DATE: 09/19/2017	APPROVED:	
DESCRIPTION: T-SLOT DBL CHLINK CNT DBL TRK INSTR			
SHEET 7 OF 13	REVISION	PART NUMBER	
SCALE 1:4	0	<b>34110609</b>	
WEIGHT:			

THE INFORMATION CONTAINED IN THIS DRAWING IS PROTECTED BY COPYRIGHT AND PATENT LAWS OF THE UNITED STATES AND OTHER COUNTRIES. ANY REPRODUCTION IN PART OR AS A WHOLE WITHOUT WRITTEN PERMISSION IS PROHIBITED.

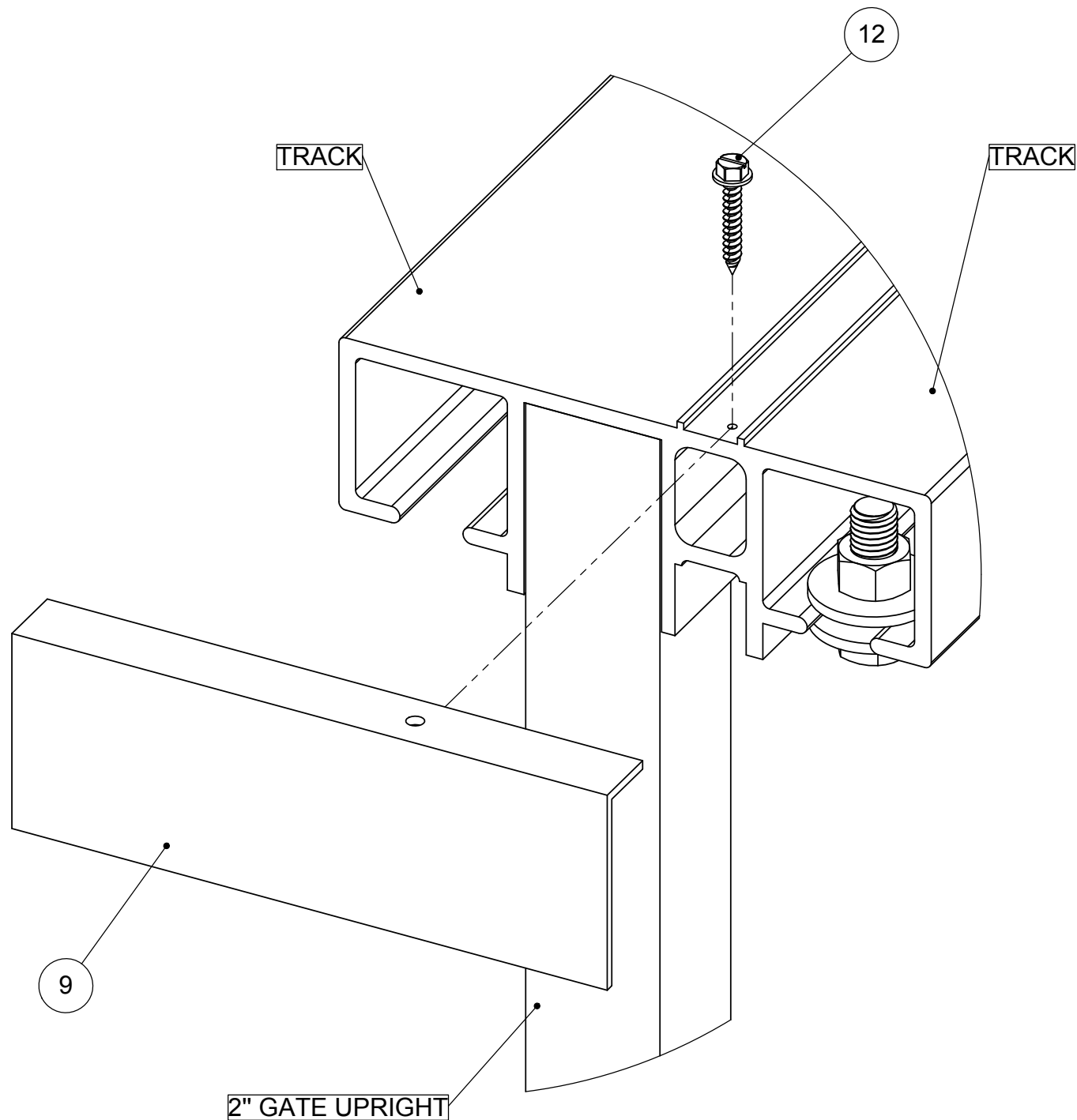




DETAIL E - GATE STOP  
SCALE 1 : 2

THE INFORMATION CONTAINED IN THIS DRAWING IS PROTECTED BY COPYRIGHT AND PATENT LAWS OF THE UNITED STATES AND OTHER COUNTRIES. ANY REPRODUCTION IN PART OR AS A WHOLE WITHOUT WRITTEN PERMISSION IS PROHIBITED.

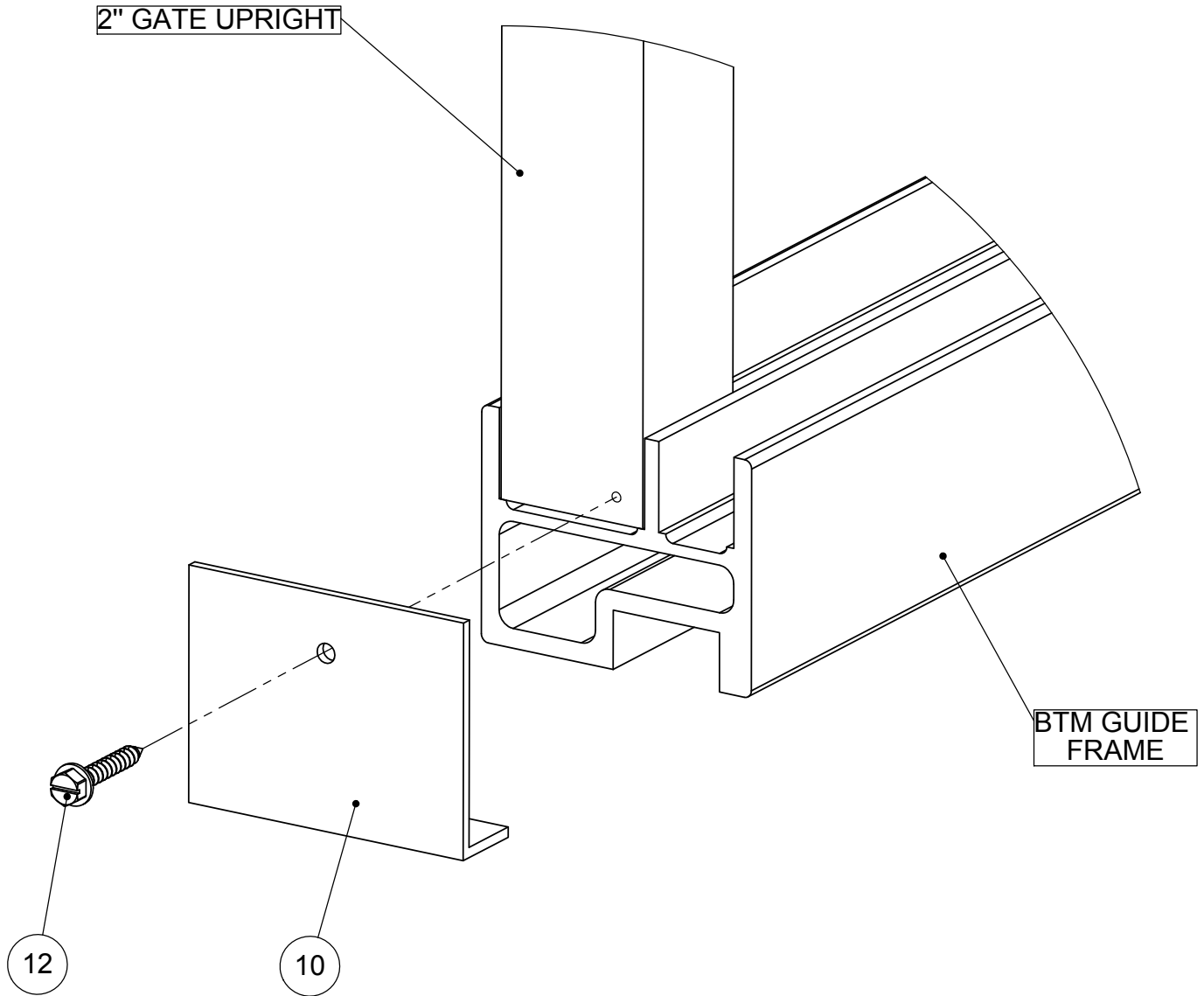
<b>Barrette</b>		<b>BARRETTE Outdoor Living</b>	
DRAWN: JS	DATE: 09/19/2017	APPROVED:	
DESCRIPTION: T-SLOT DBL CHLINK CNT DBL TRK INSTR			
SHEET 8 OF 13	REVISION	PART NUMBER	
SCALE 1:2	0	34110609	
WEIGHT:			



DETAIL F - END COVER-DOUBLE TRACK  
SCALE 1 : 2

		<b>BARRETTE</b> <b>Outdoor Living</b>	
DRAWN:	JS	DATE:	09/19/2017
DESCRIPTION:		APPROVED:	
T-SLOT DBL CHLINK CNT DBL TRK INSTR			
SHEET 9 OF 13		REVISION:	PART NUMBER:
SCALE 1:2			<b>34110609</b>
WEIGHT:			

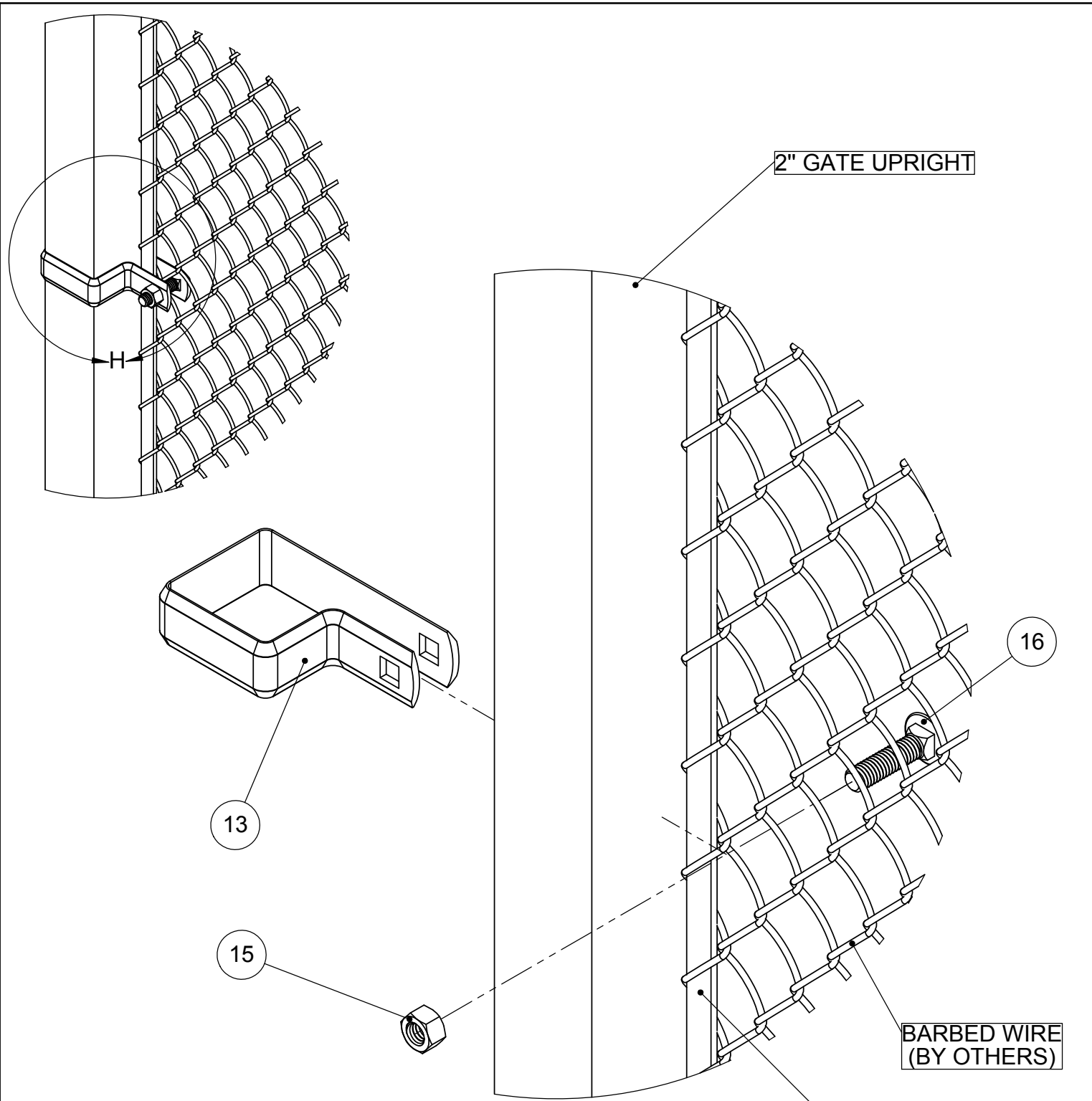
THE INFORMATION CONTAINED IN THIS DRAWING IS PROTECTED BY COPYRIGHT AND PATENT LAWS OF THE UNITED STATES AND OTHER COUNTRIES. ANY REPRODUCTION IN PART OR AS A WHOLE WITHOUT WRITTEN PERMISSION IS PROHIBITED.



DETAIL G - END COVER-BTM GUIDE FRAME  
SCALE 1 : 2

THE INFORMATION CONTAINED IN THIS DRAWING IS PROTECTED BY COPYRIGHT AND PATENT LAWS OF THE UNITED STATES AND OTHER COUNTRIES. ANY REPRODUCTION IN PART OR AS A WHOLE WITHOUT WRITTEN PERMISSION IS PROHIBITED.

<b>Barrette</b>		<b>BARRETTE Outdoor Living</b>	
DRAWN: JS	DATE: 09/19/2017	APPROVED:	
DESCRIPTION: T-SLOT DBL CHLINK CNT DBL TRK INSTR			
SHEET 10 OF 13	REVISION	PART NUMBER	
SCALE 1:2	0	<b>34110609</b>	
WEIGHT:			



DETAIL H - TENSION BAND  
SCALE 1 : 2

THE INFORMATION CONTAINED IN THIS DRAWING IS PROTECTED BY COPYRIGHT AND PATENT LAWS OF THE UNITED STATES AND OTHER COUNTRIES. ANY REPRODUCTION IN PART OR AS A WHOLE WITHOUT WRITTEN PERMISSION IS PROHIBITED.

<b>Barrette</b>		<b>BARRETTE Outdoor Living</b>	
DRAWN: JS	DATE: 09/19/2017	APPROVED:	
DESCRIPTION: T-SLOT DBL CHLINK CNT DBL TRK INSTR			
SHEET 11 OF 13	REVISION	PART NUMBER	
SCALE 1:2	0	34110609	
WEIGHT:			

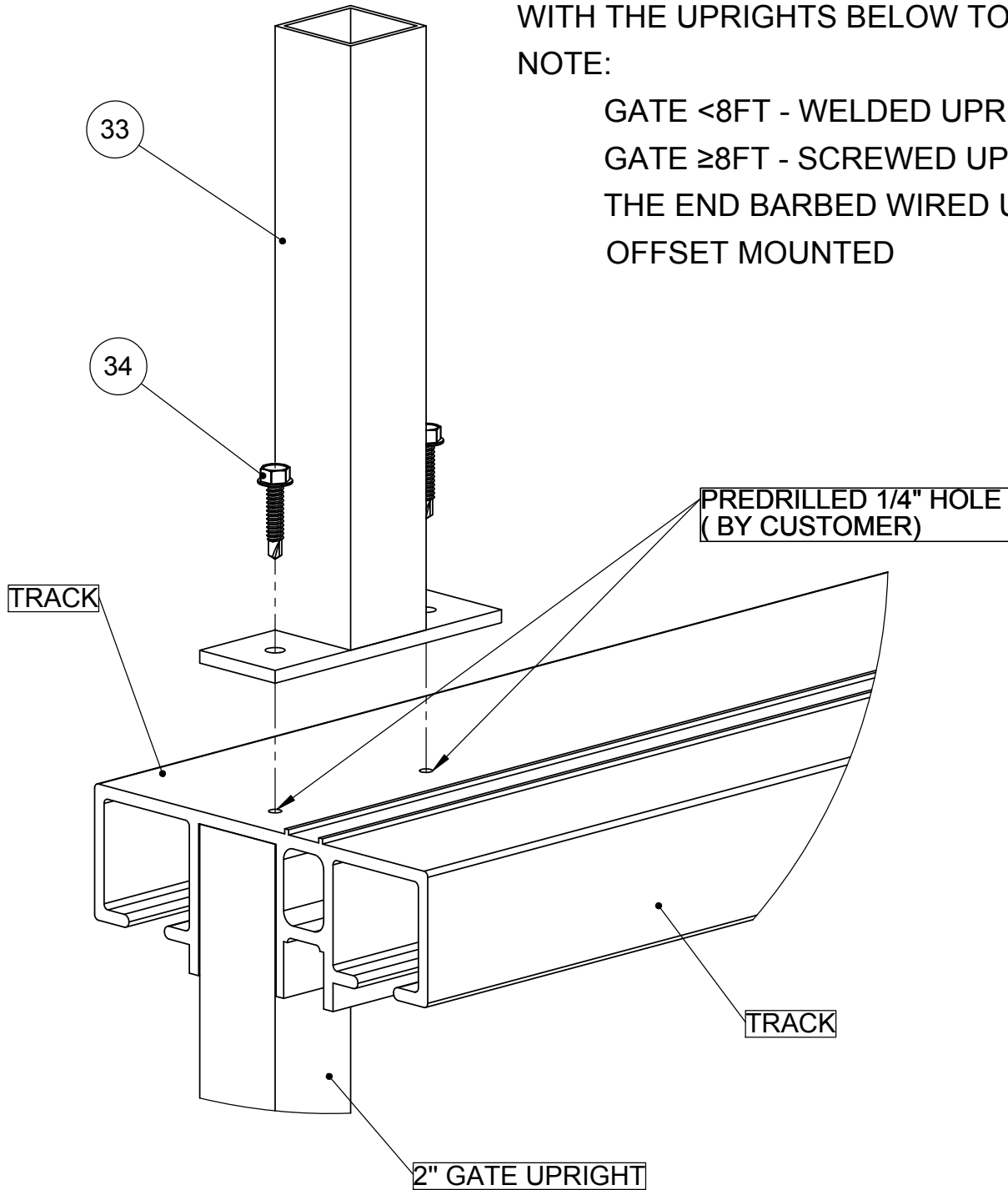
BARBED WIRED UPRIGHTS NEED TO ALIGN WITH THE UPRIGHTS BELOW TOP FRAME.

NOTE:

GATE <8FT - WELDED UPRIGHT

GATE ≥8FT - SCREWED UPRIGHT

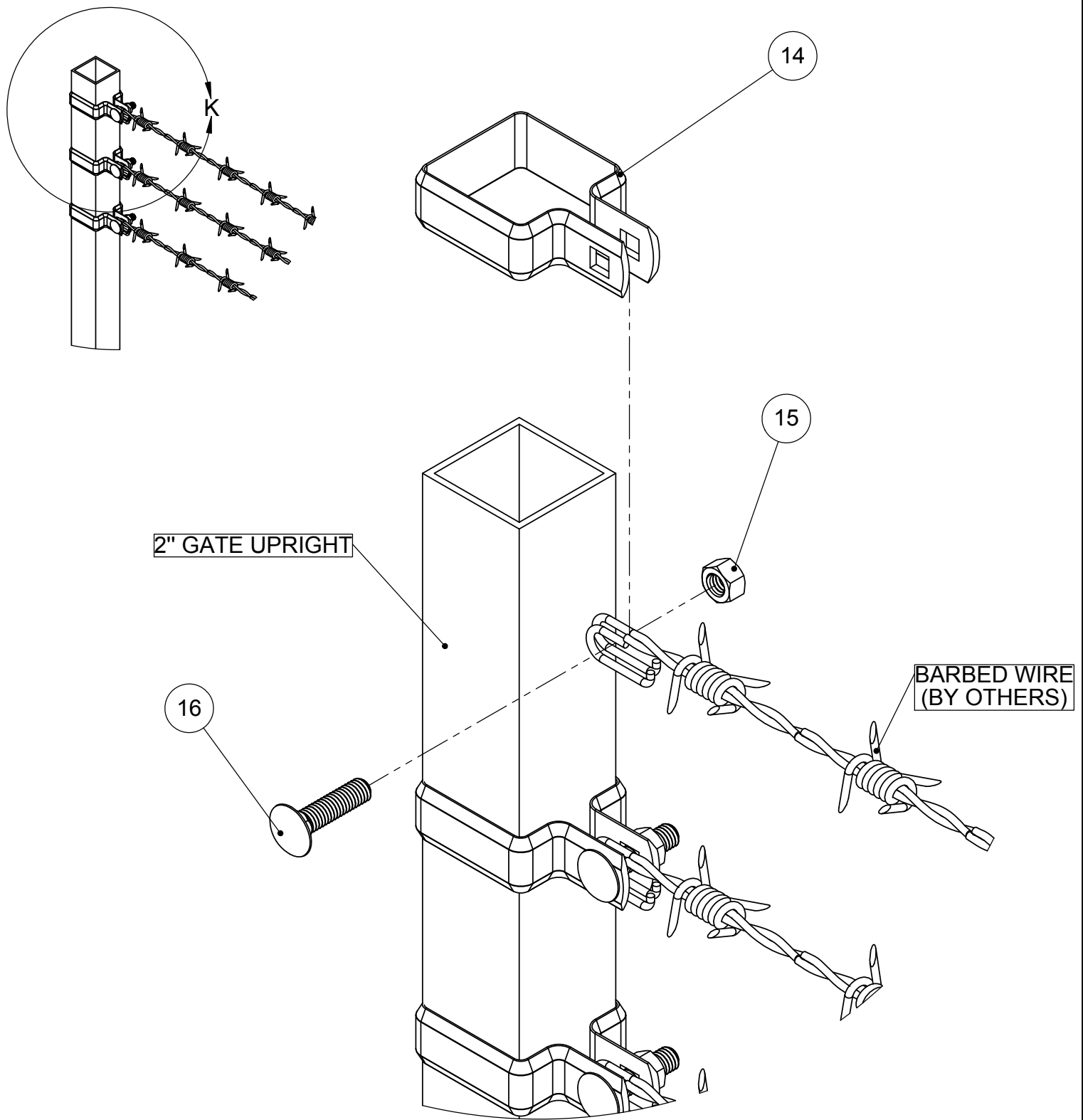
THE END BARBED WIRED UPRIGHT IS OFFSET MOUNTED



DETAIL J - BARBED WIRE UPRIGHT  
SCALE 1 : 3

THE INFORMATION CONTAINED IN THIS DRAWING IS PROTECTED BY COPYRIGHT AND PATENT LAWS OF THE UNITED STATES AND OTHER COUNTRIES. ANY REPRODUCTION IN PART OR AS A WHOLE WITHOUT WRITTEN PERMISSION IS PROHIBITED.

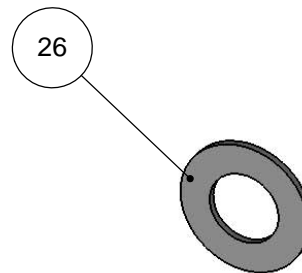
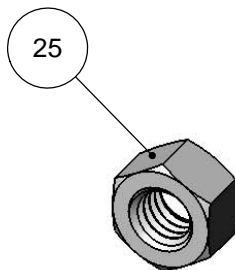
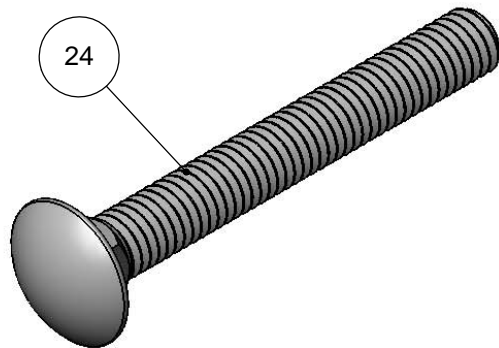
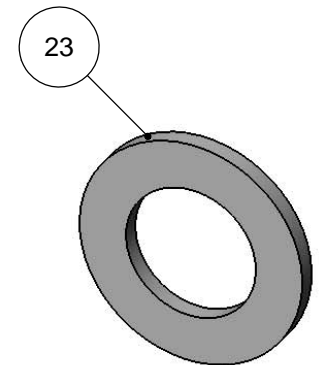
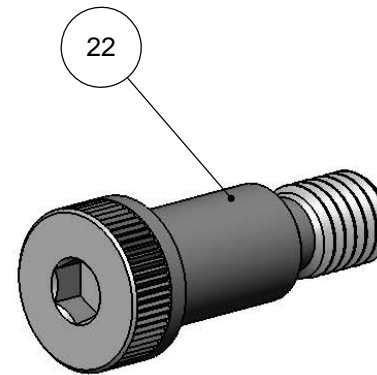
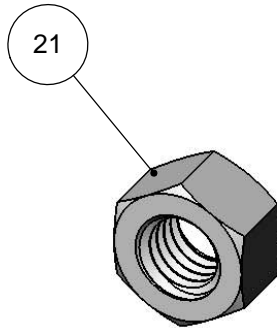
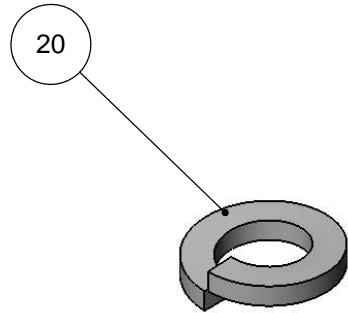
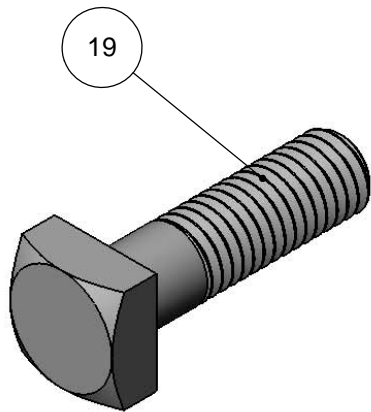
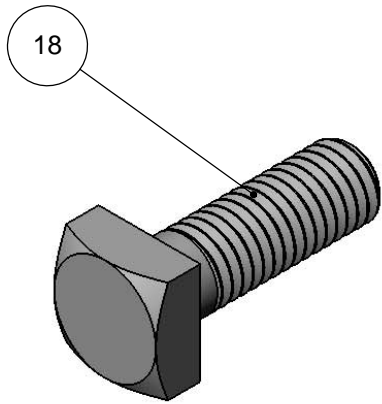
<b>Barrette</b>		<b>BARRETTE Outdoor Living</b>	
DRAWN: JS	DATE: 09/19/2017	APPROVED:	
DESCRIPTION: T-SLOT DBL CHLINK CNT DBL TRK INSTR			
SHEET 12 OF 13	REVISION	PART NUMBER	
SCALE 1:3	0	34110609	
WEIGHT:			



DETAIL K - BARBED WIRE BRACE BAND  
SCALE 1 : 2

THE INFORMATION CONTAINED IN THIS DRAWING IS PROTECTED BY COPYRIGHT AND PATENT LAWS OF THE UNITED STATES AND OTHER COUNTRIES. ANY REPRODUCTION IN PART OR AS A WHOLE WITHOUT WRITTEN PERMISSION IS PROHIBITED.

<b>Barrette</b>		<b>BARRETTE Outdoor Living</b>	
DRAWN: JS	DATE: 09/19/2017	APPROVED:	
DESCRIPTION: T-SLOT DBL CHLINK CNT DBL TRK INSTR			
SHEET 13 OF 13	REVISION	PART NUMBER	
SCALE 1:2	0	34110609	
WEIGHT:			

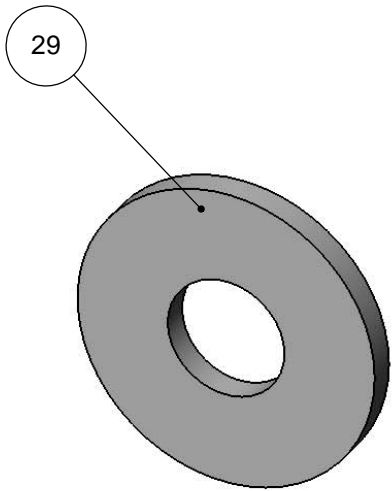
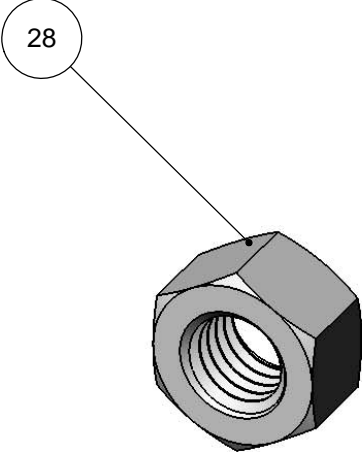
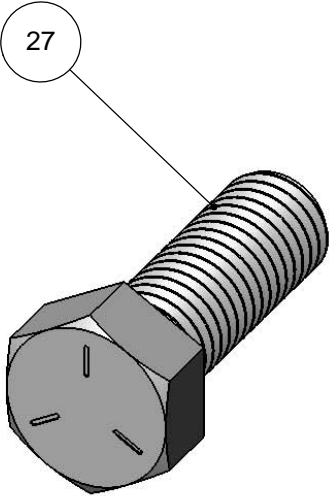


THE INFORMATION CONTAINED IN THIS DRAWING IS PROTECTED BY COPYRIGHT AND PATENT LAWS OF THE UNITED STATES AND OTHER COUNTRIES. ANY REPRODUCTION IN PART OR AS A WHOLE WITHOUT WRITTEN PERMISSION IS PROHIBITED.

ITEM #	PART #	DESCRIPTION	QTY
18	34110253	1/2"-13x1 1/2" SQ HD BOLT ZINC GRADE 5	32
19	34110254	1/2"-13x1 3/4" SQ HD BOLT ZINC GRADE 5	16
20	34110251	1/2" SPLIT LOCK WASHER ZINC	48
21	34110252	1/2"-13 HEX NUT ZINC	52
22	34110257	5/8" SHOULDER BOLT 1" LONG STEEL	4
23	34110215	NYLON WASHER .08x1.25x.75 ID	4
24	34110256	3/8"-16x3" CARRIAGE BOLT ZINC GRADE A307	2
25	34110107	3/8"-16 HEX NUT ZINC	2
26	34110281	3/8" WASHER ZINC	2

		<b>BARRETTE</b> Outdoor Living	
DRAWN:	JS	DATE:	08/25/2017
APPROVED:			
DESCRIPTION: <b>T-SLOT DBL CANTILEVER DBL SIDE TRACK HARDWARE KIT</b>			
SHEET 1 OF 1		REVISION	PART NUMBER
SCALE 1:1		0	<b>61111223</b>
WEIGHT:			

ITEM #	PART #	DESCRIPTION	QTY
27	34110578	5/8"-11X1-3/4 BOLT HEX HD ZINC GRADE 5	1
28	34110579	5/8"-11 HEX NUT ZINC	1
29	34110580	5/8" FLAT WASHER ZINC	2



THE INFORMATION CONTAINED IN THIS DRAWING IS PROTECTED BY COPYRIGHT AND PATENT LAWS OF THE UNITED STATES AND OTHER COUNTRIES. ANY REPRODUCTION IN PART OR AS A WHOLE WITHOUT WRITTEN PERMISSION IS PROHIBITED.

		<b>BARRETTE</b> Outdoor Living	
DRAWN: JS	DATE: 08/25/2017	APPROVED:	
DESCRIPTION: <b>HARDWARE KIT CANTILEVER GATE STOP</b>			
SHEET 1 OF 1	REVISION	PART NUMBER	
SCALE 1:1		<b>61123135</b>	
WEIGHT:			