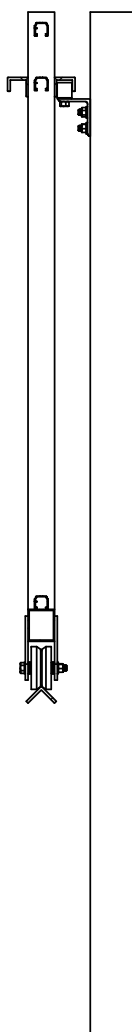


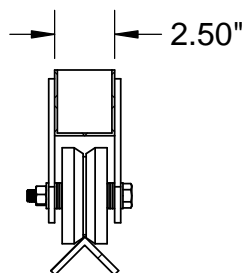
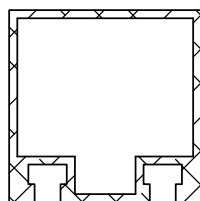
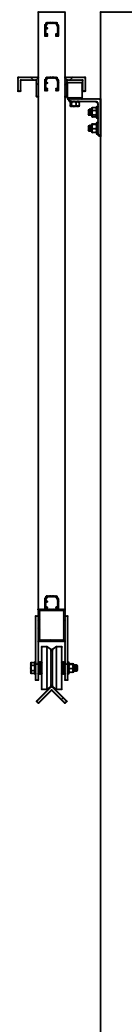


# T-SLOT DOUBLE V-GROOVE GATE W/2.5" FRAME

## Installation Kit - Instructions



SKU	COLOR
61123643	BEIGE
61123644	BLACK
61123645	FLORIDA BRONZE
61123646	GREEN
61123647	GRAY
61123648	LIGHT BRONZE
61118982	MATTE BLACK
61123649	MILL
61118983	MATTE BRONZE
61123650	WHITE





ITEM #	PART #				DESCRIPTION	QTY
1	34110658				T-SLOT DOUBLE V-GROOVE GATE W/2.5" FRAME - INSTRUCTIONS	1
2	61123633				T-SLOT SINGLE V-GROOVE GATE W/2.5" FRAME - HARDWARE KIT	2
3	34110217				HARDWARE KIT - V-GROOVE WHEEL	2
4	61123634				HARDWARE KIT - T-SLOT RECEIVER 2.5" FRAME	1
5	61111205	BG	61111210	LB	T-SLOT SIDE GUIDE BRACKET	2
	61111206	BK	61119099	MB		
	61111207	BZ	61111211	MF		
	61111208	GR	61119100	MZ		
	61111209	GY	61111212	WH		
6	61123591	BG	61123596	LB	T-SLOT RECEIVER DBL 2.5" FRAME	1
	61123592	BK	61118430	MB		
	61123593	BZ	61123597	MF		
	61123594	GR	61118431	MZ		
	61123595	GY	61123598	WH		
7	61123583	BG	61123588	LB	T-SLOT RECEIVER GATE 2.5" FRAME	1
	61123584	BK	61118432	MB		
	61123585	BZ	61123589	MF		
	61123586	GR	61118433	MZ		
	61123587	GY	61123590	WH		
8	34110287				1.43" DIA. DERLIN GUIDE WHEEL	2
9	34110341				GREASE 3 OZ.	1
10	34110253				1/2"-13X1 1/2" SQ HD BOLT ZINC GRADE 5	4
11	34110251				1/2" SPLIT LOCK WASHER ZINC	4
12	34110252				1/2"-13 HEX NUT ZINC	5
13	34110257				5/8" SHOULDER BOLT 1" LONG STEEL	1
14	34110215				NYLON WASHER .08X1.25X.75 ID	1
15	34110659				1/2"-13X4" HX HD BOLT ZINC GRD5 PART THREAD	2
16	34110390				1/2" FLAT WASHER 18-8 SS	12
17	34110614				3/8"-16X3.5" CARRIAGE BOLT ZINC GRADE A307	2
18	34110107				3/8"-16 HEX NUT ZINC	2
19	34110281				3/8" WASHER ZINC	2
20	73022415				SCREW #14X1-1/2 HX HD SDS 410 SS	5

**NOTE:**

- 1.) ITEM #10 TO #16 IS PART OF 61123633 HARDWARE KIT ( ITEM 2)
- 2.) ITEM #17 TO #20 IS PART OF 61123634 HARDWARE KIT ( ITEM 4)
- 3.) FOR MATTE BLACK KITS USE BLACK SCREWS
- 4.) FOR MATTE BRONZE KITS USE LIGHT BRONZE SCREWS

THE INFORMATION CONTAINED IN THIS DRAWING IS PROTECTED BY COPYRIGHT AND PATENT LAWS OF THE UNITED STATES AND OTHER COUNTRIES. ANY REPRODUCTION IN PART OR AS A WHOLE WITHOUT WRITTEN PERMISSION IS PROHIBITED.

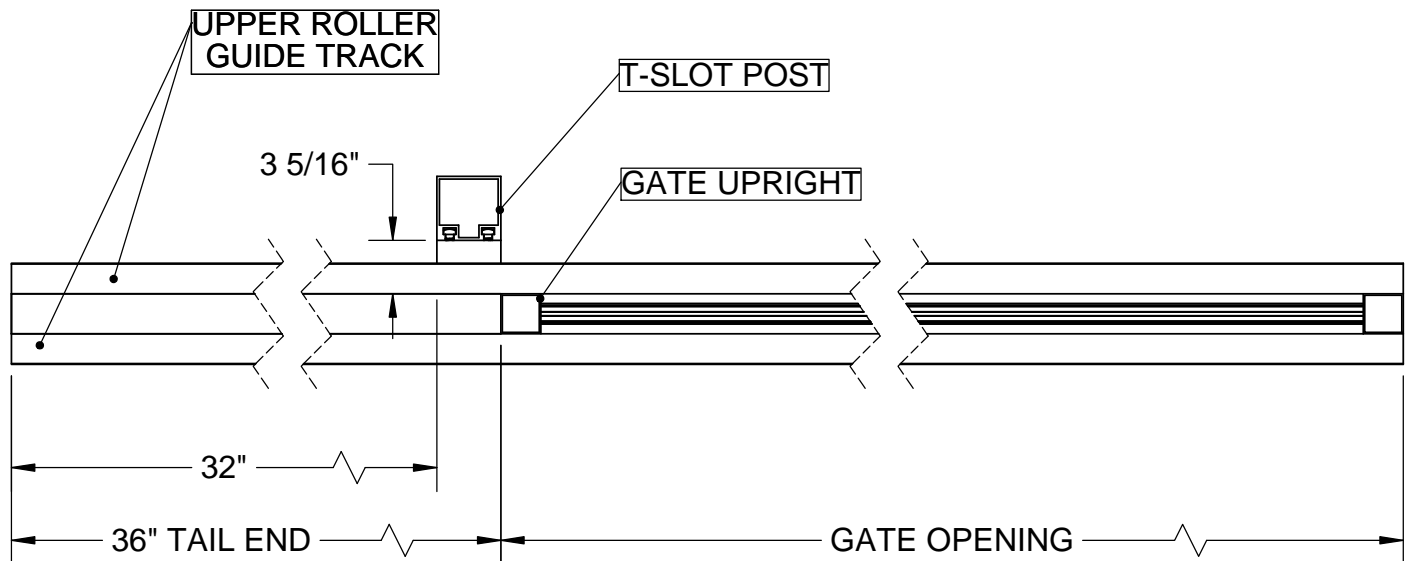
		<b>BARRETTE Outdoor Living</b>	
DRAWN: JH	DATE: 11/21/2017	APPROVED:	
DESCRIPTION: T-SLOT DOUBLE V-GROOVE GATE W/2.5" FRAME INSTRUCTION KIT			
SHEET 1 OF 6	REVISION: 	PART NUMBER: <b>34110658</b>	
SCALE:			
WEIGHT:			

# INSTALLATION PROCEDURE:

- 1.SET 4" POSTS IN THE GROUND - SEE POST LOCATION BELOW.
- 2.INSTALL V-GROOVE WHEELS (ITEM #3) AND EXTRA WASHERS AS SPACERS (ITEM #16 - 3 PER SIDE) ON THE GATE - SEE SHEET 3
- 3.INSTALL TOP BRACKET (ITEM #5) AND GUIDE WHEEL ( ITEM #8) - SEE SHEET 4
- 4.PLACE GATE IN THE POSITION - SLIDE UPPER ROLLER GUIDE ON GUIDE WHEEL (ITEM #8) - SEE SHEET 5
- 5.INSTALL POST RECEIVER (ITEM #6) AND GATE RECEIVER (ITEM #7) - SEE SHEET 6

## NOTE:

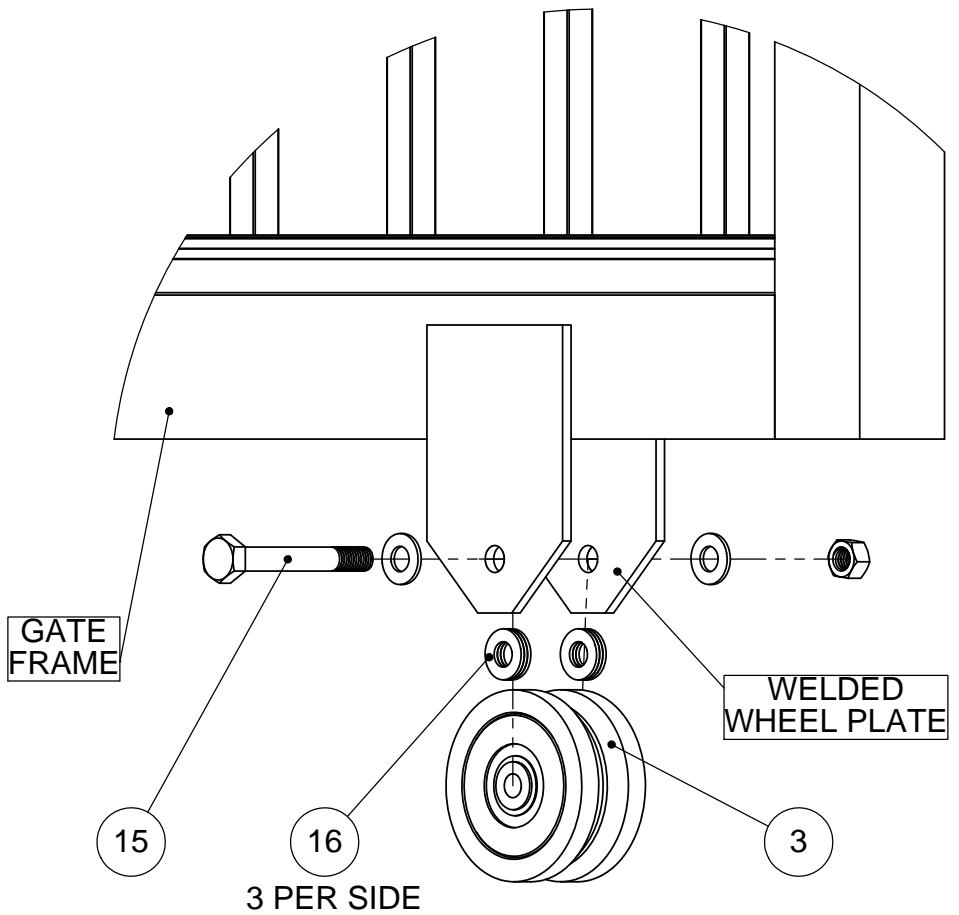
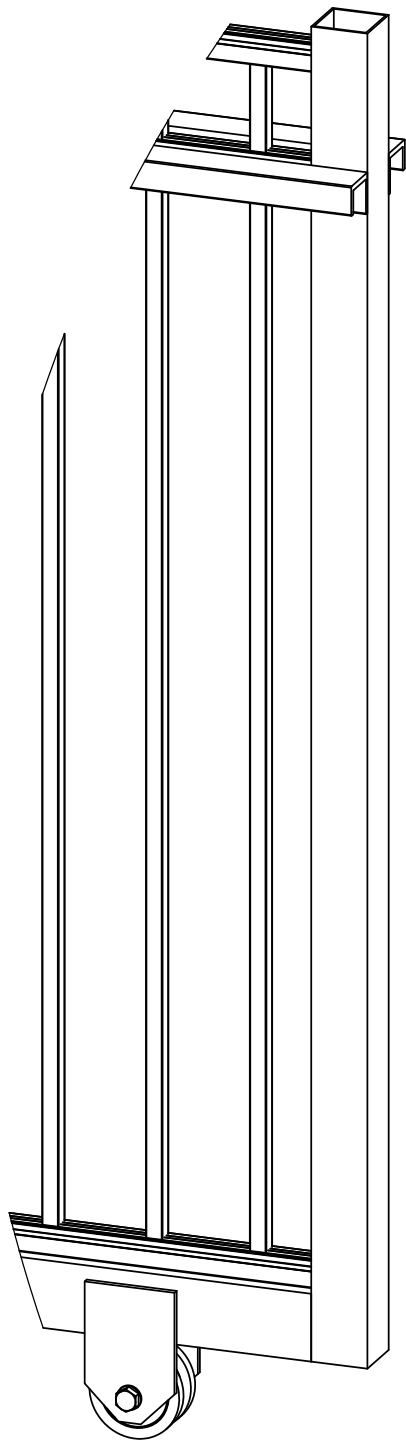
- APPLY GREASE (ITEM #9) ON THE SHOULDER BOLTS (ITEM #13), INSIDE GUIDE WHEELS (ITEM # 8) AND TOP OF NYLON WASHER (ITEM #14). MAINTAIN GREASE EVERY 4 TO 6 MONTHS.



POST LOCATION DETAIL  
SCALE 1:12

<b>Barrette</b>		<b>BARRETTE Outdoor Living</b>	
DRAWN: JH	DATE: 11/21/2017	APPROVED:	
DESCRIPTION: T-SLOT DOUBLE V-GROOVE GATE W/2.5" FRAME INSTRUCTION KIT			
SHEET 2 OF 6	REVISION	PART NUMBER	
SCALE 1:12	0	34110658	
WEIGHT:			

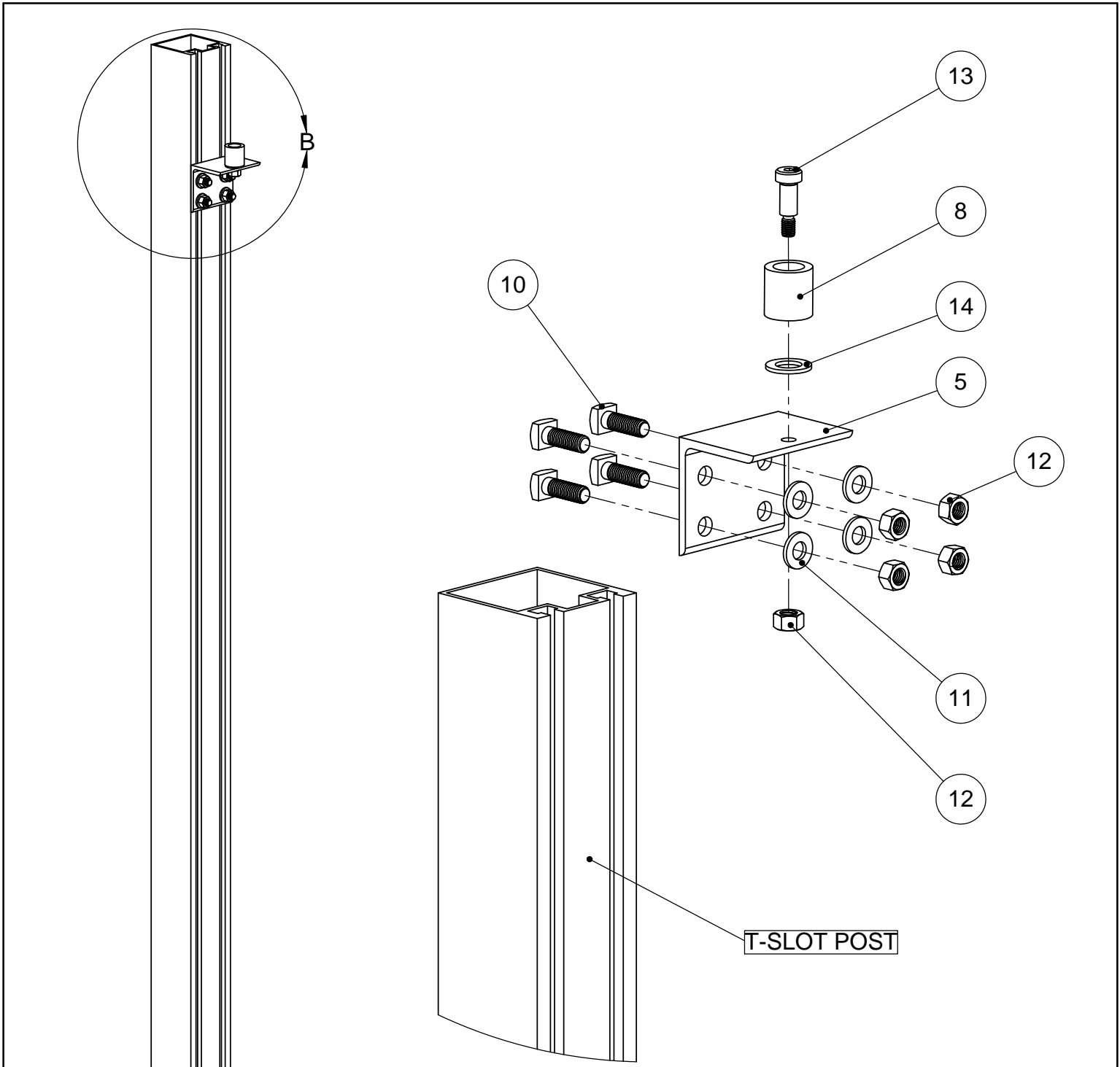
THE INFORMATION CONTAINED IN THIS DRAWING IS PROTECTED BY COPYRIGHT AND PATENT LAWS OF THE UNITED STATES AND OTHER COUNTRIES. ANY REPRODUCTION IN PART OR AS A WHOLE WITHOUT WRITTEN PERMISSION IS PROHIBITED.



DETAIL A - V-GROOVE WHEEL  
SCALE 1 : 4

THE INFORMATION CONTAINED IN THIS DRAWING IS PROTECTED BY COPYRIGHT AND PATENT LAWS OF THE UNITED STATES AND OTHER COUNTRIES. ANY REPRODUCTION IN PART OR AS A WHOLE WITHOUT WRITTEN PERMISSION IS PROHIBITED.

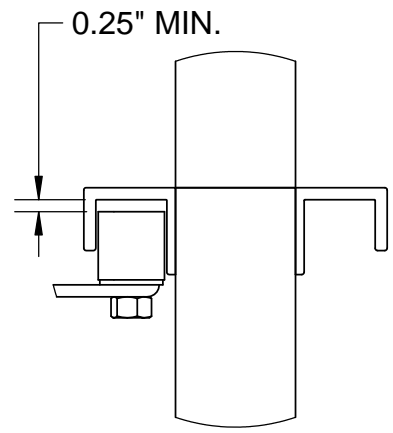
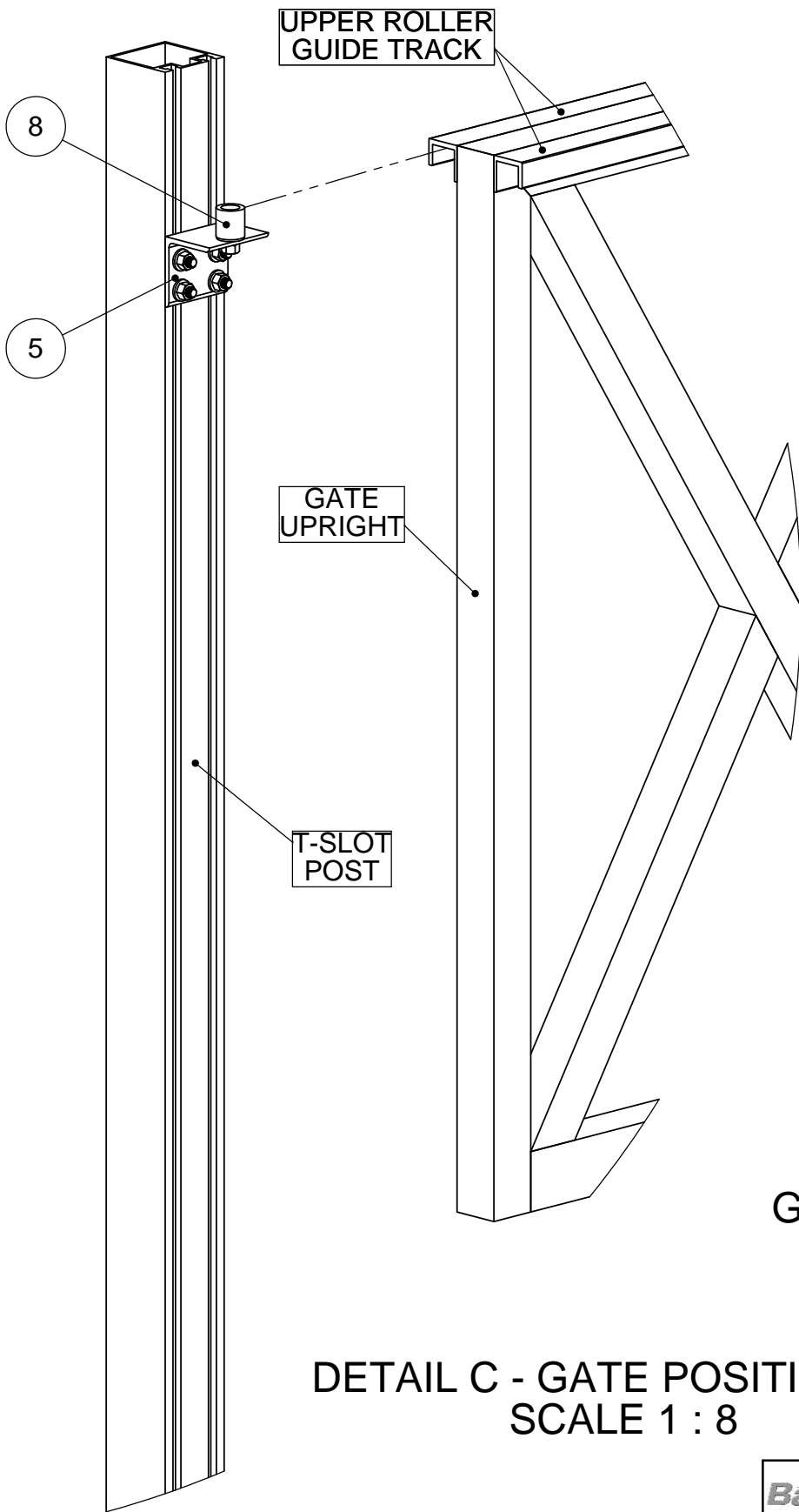
<b>Barrette</b>		<b>BARRETTE Outdoor Living</b>	
DRAWN: JH	DATE: 11/21/2017	APPROVED:	
DESCRIPTION: <b>T-SLOT DOUBLE V-GROOVE GATE W/2.5" FRAME INSTRUCTION KIT</b>			
SHEET 3 OF 6	REVISION	PART NUMBER	
SCALE 1:4	0	<b>34110658</b>	
WEIGHT:			



DETAIL B - TOP BRACKET  
SCALE 1 : 4

THE INFORMATION CONTAINED IN THIS DRAWING IS PROTECTED BY COPYRIGHT AND PATENT LAWS OF THE UNITED STATES AND OTHER COUNTRIES. ANY REPRODUCTION IN PART OR AS A WHOLE WITHOUT WRITTEN PERMISSION IS PROHIBITED.

<b>Barrette</b>		<b>BARRETTE Outdoor Living</b>	
DRAWN: JH	DATE: 11/21/2017	APPROVED:	
DESCRIPTION: <b>T-SLOT DOUBLE V-GROOVE GATE W/2.5" FRAME INSTRUCTION KIT</b>			
SHEET 4 OF 6	REVISION	PART NUMBER	
SCALE 1:4	0	<b>34110658</b>	
WEIGHT:			

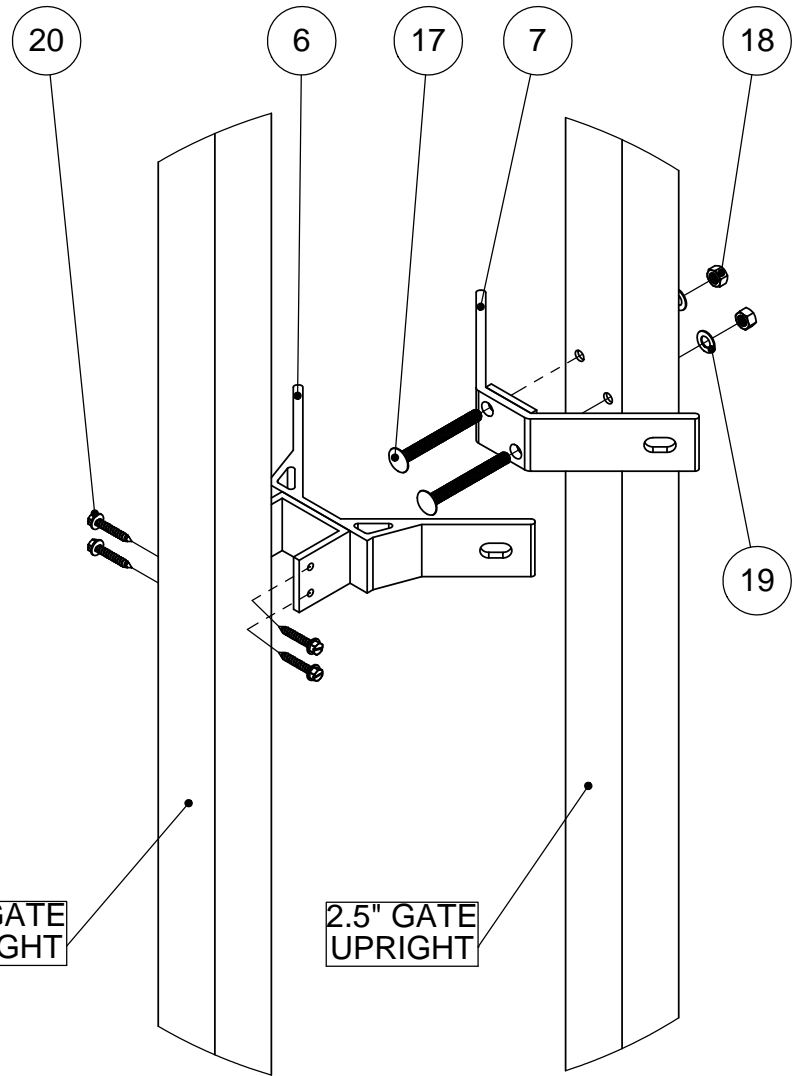
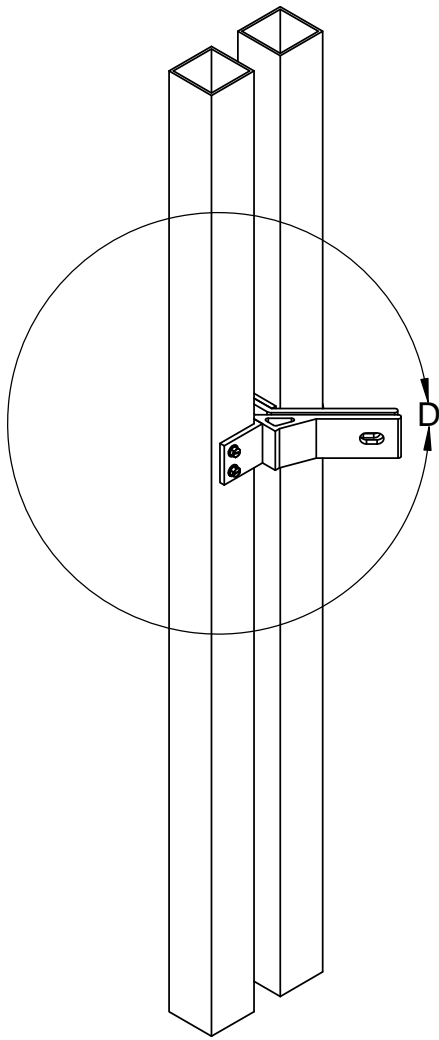


GUIDE TRACK - DETAIL  
SCALE 1 : 4

DETAIL C - GATE POSITIONING  
SCALE 1 : 8

THE INFORMATION CONTAINED IN THIS DRAWING IS PROTECTED BY COPYRIGHT AND PATENT LAWS OF THE UNITED STATES AND OTHER COUNTRIES. ANY REPRODUCTION IN PART OR AS A WHOLE WITHOUT WRITTEN PERMISSION IS PROHIBITED.

<b>Barrette</b>		<b>BARRETTE Outdoor Living</b>	
DRAWN: JH	DATE: 11/21/2017	APPROVED:	
DESCRIPTION: <b>T-SLOT DOUBLE V-GROOVE GATE W/2.5" FRAME INSTRUCTION KIT</b>			
SHEET 5 OF 6	REVISION	PART NUMBER	
SCALE 1:8	0	<b>34110658</b>	
WEIGHT:			



2.5" GATE UPRIGHT

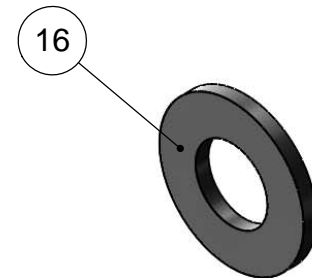
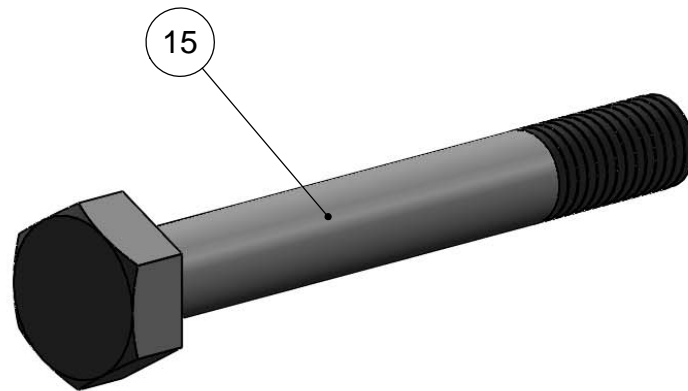
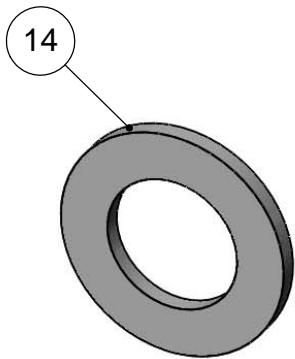
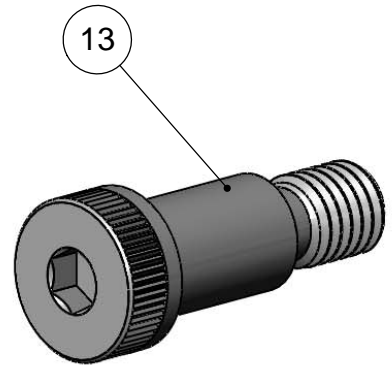
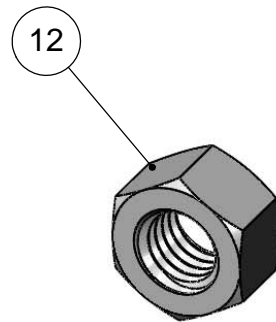
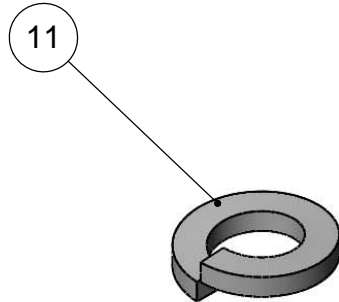
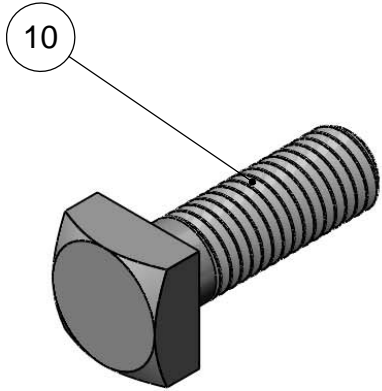
2.5" GATE UPRIGHT

DETAIL D - RECEIVER  
SCALE 1 : 6

THE INFORMATION CONTAINED IN THIS DRAWING IS PROTECTED BY COPYRIGHT AND PATENT LAWS OF THE UNITED STATES AND OTHER COUNTRIES. ANY REPRODUCTION IN PART OR AS A WHOLE WITHOUT WRITTEN PERMISSION IS PROHIBITED.

<b>Barrette</b>		<b>BARRETTE Outdoor Living</b>	
DRAWN: JH	DATE: 11/21/2017	APPROVED:	
DESCRIPTION: <b>T-SLOT DOUBLE V-GROOVE GATE W/2.5" FRAME INSTRUCTION KIT</b>			
SHEET 6 OF 6	REVISION	PART NUMBER	
SCALE 1:6	0	<b>34110658</b>	
WEIGHT:			

ITEM #	PART #	DESCRIPTION	QTY
10	34110253	1/2"-13x1 1/2" SQ HD BOLT ZINC GRADE 5	4
11	34110251	1/2" SPLIT LOCK WASHER ZINC	4
12	34110252	1/2"-13 HEX NUT ZINC	5
13	34110257	5/8" SHOULDER BOLT 1" LONG STEEL	1
14	34110215	NYLON WASHER .08x1.25x.75 ID	1
15	34110659	1/2"-13 HX HD BOLT ZINC GRD5 PART THREAD	2
16	34110390	1/2" FLAT WASHER 18-8 SS	12

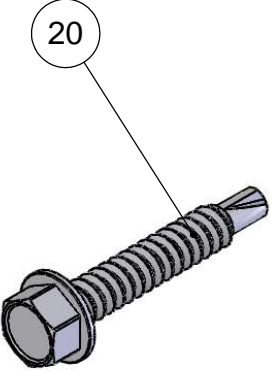
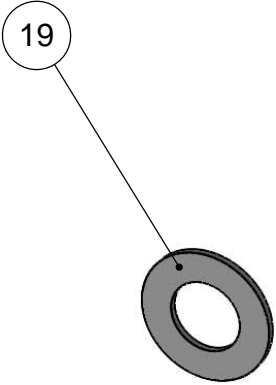
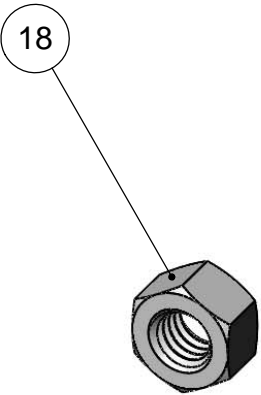
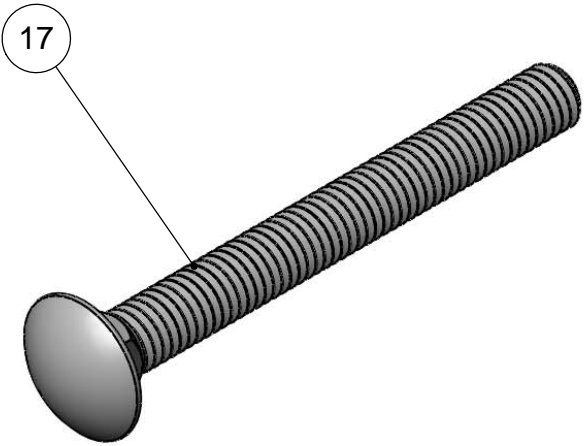


THE INFORMATION CONTAINED IN THIS DRAWING IS PROTECTED BY COPYRIGHT AND PATENT LAWS OF THE UNITED STATES AND OTHER COUNTRIES. ANY REPRODUCTION IN PART OR AS A WHOLE WITHOUT WRITTEN PERMISSION IS PROHIBITED.


		<b>BARRETTE</b> Outdoor Living	
DRAWN: JH	DATE: 11/21/2017	APPROVED:	
DESCRIPTION: <b>T-SLOT SINGLE V-GROOVE GATE HARDWARE KIT 2.5"</b>			
SHEET 1 OF 1	REVISION	PART NUMBER	
SCALE 1:1	0	<b>61123633</b>	
WEIGHT:			



ITEM #	PART #	DESCRIPTION	QTY
17	34110614	3/8"-16x3.5" CARRIAGE BOLT ZINC GRADE A307	2
18	34110107	3/8"-16 HEX NUT ZINC	2
19	34110281	3/8" WASHER ZINC	2
20	73022415	SCREW #14X1-1/2 HX HD SDS 410 SS	5



THE INFORMATION CONTAINED IN THIS DRAWING IS PROTECTED BY COPYRIGHT AND PATENT LAWS OF THE UNITED STATES AND OTHER COUNTRIES. ANY REPRODUCTION IN PART OR AS A WHOLE WITHOUT WRITTEN PERMISSION IS PROHIBITED.

		<b>BARRETTE</b> Outdoor Living	
DRAWN: JH	DATE: 11/21/2017	APPROVED:	
DESCRIPTION: <b>HARDWARE KIT - T-SLOT RECEIVER 2.5" FRAME</b>			
SHEET 1 OF 1	REVISION	PART NUMBER	
SCALE 1:1	0	61123634	
WEIGHT:			