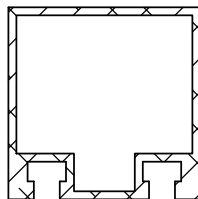
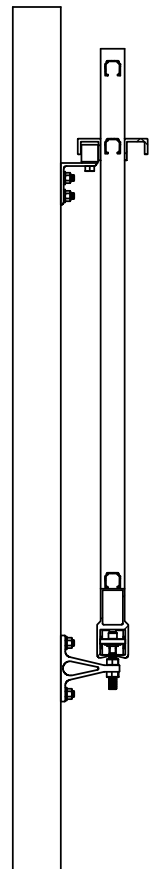




T-SLOT SINGLE CANTILEVER BOTTOM TRACK



Installation Kit - Instructions

SKU	COLOR
61111258	BEIGE
61111259	BLACK
61111260	FLORIDA BRONZE
61111261	GREEN
61111262	GRAY
61111263	LIGHT BRONZE
61118944	MATTE BLACK
61111264	MILL
61118945	MATTE BRONZE
61111265	WHITE



ITEM #	PART #				DESCRIPTION	QTY
1	34110344				T-SLOT SNGL CANTILEVER BTM TRACK INSTRUCTIONS	1
2	61111226				T-SLOT SNGL CANTILEVER BTM TRACK HARDWARE KIT	1
3	61123135				HARDWARE KIT CANTILEVER GATE STOP	1
4	61111205	BG	61111210	LB	T-SLOT SIDE GUIDE BRACKET	2
	61111206	BK	61119099	MB		
	61111207	BZ	61111211	MF		
	61111208	GR	61119100	MZ		
	61111209	GY	61111212	WH		
5	61111197	BG	61111202	LB	T-SLOT BTM TROLLEY BRACKET	2
	61111198	BK	61119097	MB		
	61111199	BZ	61111203	MF		
	61111200	GR	61119098	MZ		
	61111201	GY	61111204	WH		
6	34110853				TROLLEY 4 WHEEL TA-100	2
7	61111181	BG	61111186	LB	T-SLOT RECEIVER POST 4"	1
	61111182	BK	61118428	MB		
	61111183	BZ	61111187	MF		
	61111184	GR	61118429	MZ		
	61111185	GY	61111188	WH		
8	61111173	BG	61111178	LB	T-SLOT RECEIVER GATE	1
	61111174	BK	61119093	MB		
	61111175	BZ	61111179	MF		
	61111176	GR	61119094	MZ		
	61111177	GY	61111180	WH		
9	61111038	BG	61111043	LB	T-SLOT BTM END COVER	1
	61111039	BK	61119089	MB		
	61111040	BZ	61111044	MF		
	61111041	GR	61119090	MZ		
	61111042	GY	61111045	WH		
10	34110287				1.43" DIA. DERLIN GUIDE WHEEL	2
11	73022816	BG	73026018	GY	SCREW #14x1-1/2 HX HD SDS 410 SS	10
	73022817	BK	73022820	LB		
	73022818	BZ	73022415	MF		
	73022819	GR	73022821	WH		

THE INFORMATION CONTAINED IN THIS DRAWING IS PROTECTED BY COPYRIGHT AND PATENT LAWS OF THE UNITED STATES AND OTHER COUNTRIES. ANY REPRODUCTION IN PART OR AS A WHOLE WITHOUT WRITTEN PERMISSION IS PROHIBITED.



		BARRETTE Outdoor Living	
DRAWN: J.S.	DATE: 7-12-17	APPROVED:	
DESCRIPTION: T-SLOT SNGL CANTILEVER BTM TRACK INSTRUCTIONS			
SHEET 1 OF 9	REVISION:	PART NUMBER	
SCALE:		34110344	
WEIGHT:			

12	34110341	GREASE 3 OZ.	1
13	34110253	1/2"-13x1 1/2" SQ HD BOLT ZINC GRADE 5	16
14	34110251	1/2" SPLIT LOCK WASHER ZINC	16
15	34110252	1/2"-13 HEX NUT ZINC	18
16	34110257	5/8" SHOULDER BOLT 1" LONG STEEL	2
17	34110215	NYLON WASHER .08x1.25x.75 ID	2
18	34110256	3/8"-16x3" CARRIAGE BOLT ZINC GRADE A307	2
19	34110107	3/8"-16 HEX NUT ZINC	2
20	34110281	3/8" WASHER ZINC	2
21	34110578	5/8"-11X1-3/4 BOLT HEX HD ZINC GRADE 5	1
22	34110579	5/8"-11 HEX NUT ZINC	1
23	34110580	5/8" FLAT WASHER ZINC	2

NOTE:

- 1.) ITEM #13 TO #20 IS PART OF 6111226 HARDWARE KIT (SEE SHEET 1 - ITEM 2)
- 2.) ITEM #21 TO #23 IS PART OF 61123135 HARDWARE KIT (SEE SHEET 1 - ITEM 3)
- 3.) FOR MATTE BLACK KITS USE BLACK SCREWS
- 4.) FOR MATTE BRONZE KITS USE LIGHT BRONZE SCREWS

THE INFORMATION CONTAINED IN THIS DRAWING IS PROTECTED BY COPYRIGHT AND PATENT LAWS OF THE UNITED STATES AND OTHER COUNTRIES. ANY REPRODUCTION IN PART OR AS A WHOLE WITHOUT WRITTEN PERMISSION IS PROHIBITED.

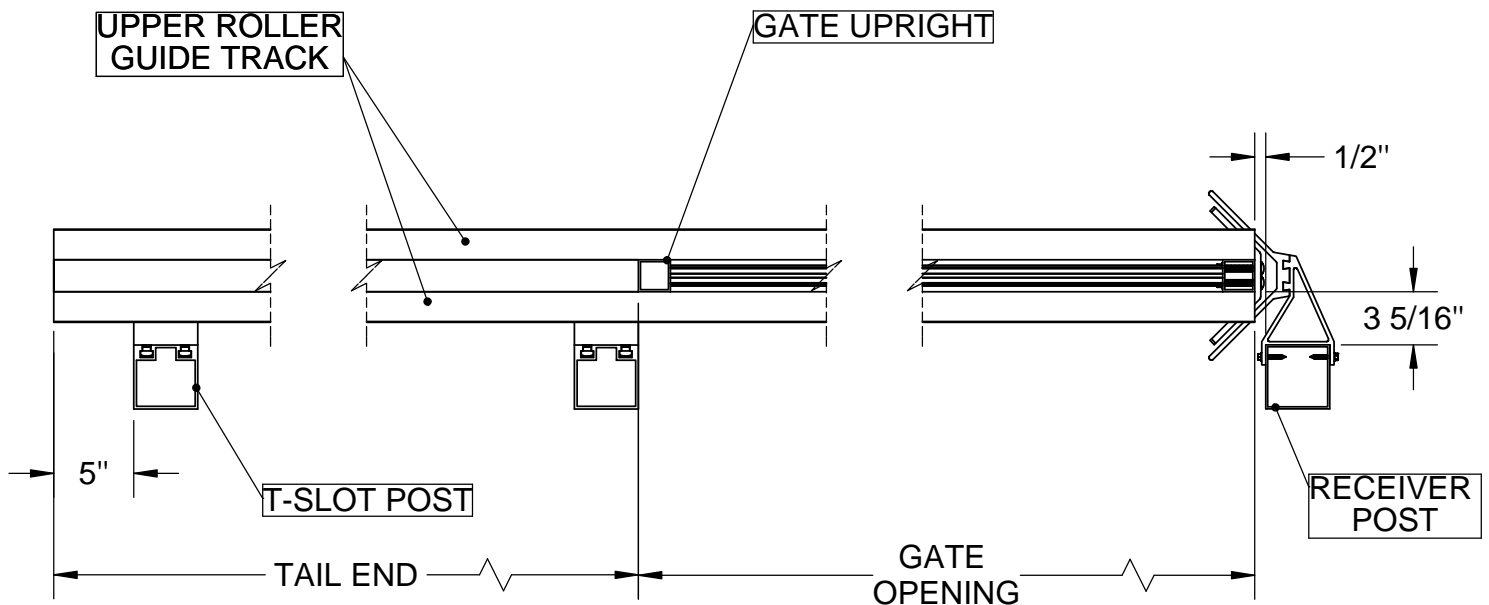
		BARRETTE Outdoor Living	
DRAWN: J.S.	DATE: 7-12-17	APPROVED:	
DESCRIPTION: T-SLOT SNGL CANTILEVER BTM TRACK INSTRUCTIONS			
SHEET 2 OF 9	REVISION: 	PART NUMBER: 34110344	
SCALE:			
WEIGHT:			

INSTALLATION PROCEDURE:

- 1.SET T-SLOT POSTS IN THE GROUND - SEE POST LOCATION BELOW.
- 2.INSTALL BTM BRACKET (ITEM #5) AND WHEEL TROLLEY (ITEM #6) - SEE SHEET 4
- 3.INSTALL TOP BRACKET (ITEM #4) AND GUIDE WHEEL (ITEM #10) - SEE SHEET 5
- 4.PLACE GATE IN THE POSITION - SLIDE GATE BTM TRACK INTO WHEEL TROLLEY (ITEM #6) AND UPPER ROLLER GUIDE ON GUIDE WHEEL (ITEM #10) - SEE SHEET 6
5. INSTALL POST RECEIVER (ITEM #7) AND GATE RECEIVER (ITEM #8) - SEE SHEET 7
- 6.INSTALL GATE STOP (BOLT-ITEM #21,NUT-ITEM #22,WASHER-ITEM #23) ON THE END OF THE TRACK - SEE SHEET 8 (**ONE GATE STOP REQUIRED ONLY - PER LEAF**)
- 7.INSTALL BTM END COVER (ITEM #9) ON THE END OF THE TRACK - SEE SHEET 9

NOTE:

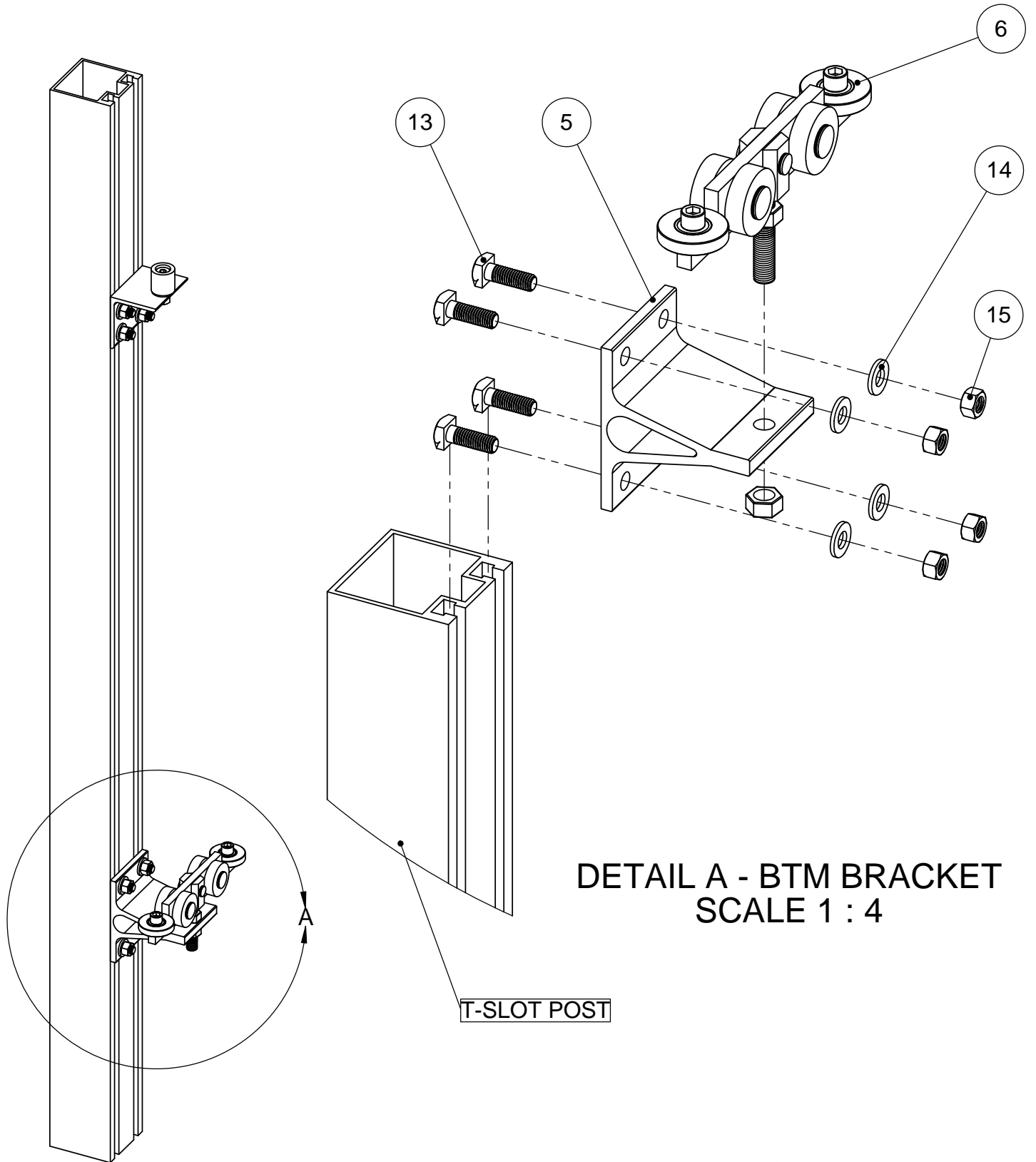
- **INSTALL BTM BRACKETS FIRST**
- **APPLY GREASE (ITEM #12) ON THE SHOULDER BOLTS (ITEM #16), INSIDE GUIDE WHEELS (ITEM # 10) AND TOP OF NYLON WASHER (ITEM #17). MAINTAIN GREASE EVERY 4 TO 6 MONTHS.**



POST LOCATION DETAIL
SCALE 1 : 12

THE INFORMATION CONTAINED IN THIS DRAWING IS PROTECTED BY COPYRIGHT AND PATENT LAWS OF THE UNITED STATES AND OTHER COUNTRIES. ANY REPRODUCTION IN PART OR AS A WHOLE WITHOUT WRITTEN PERMISSION IS PROHIBITED.

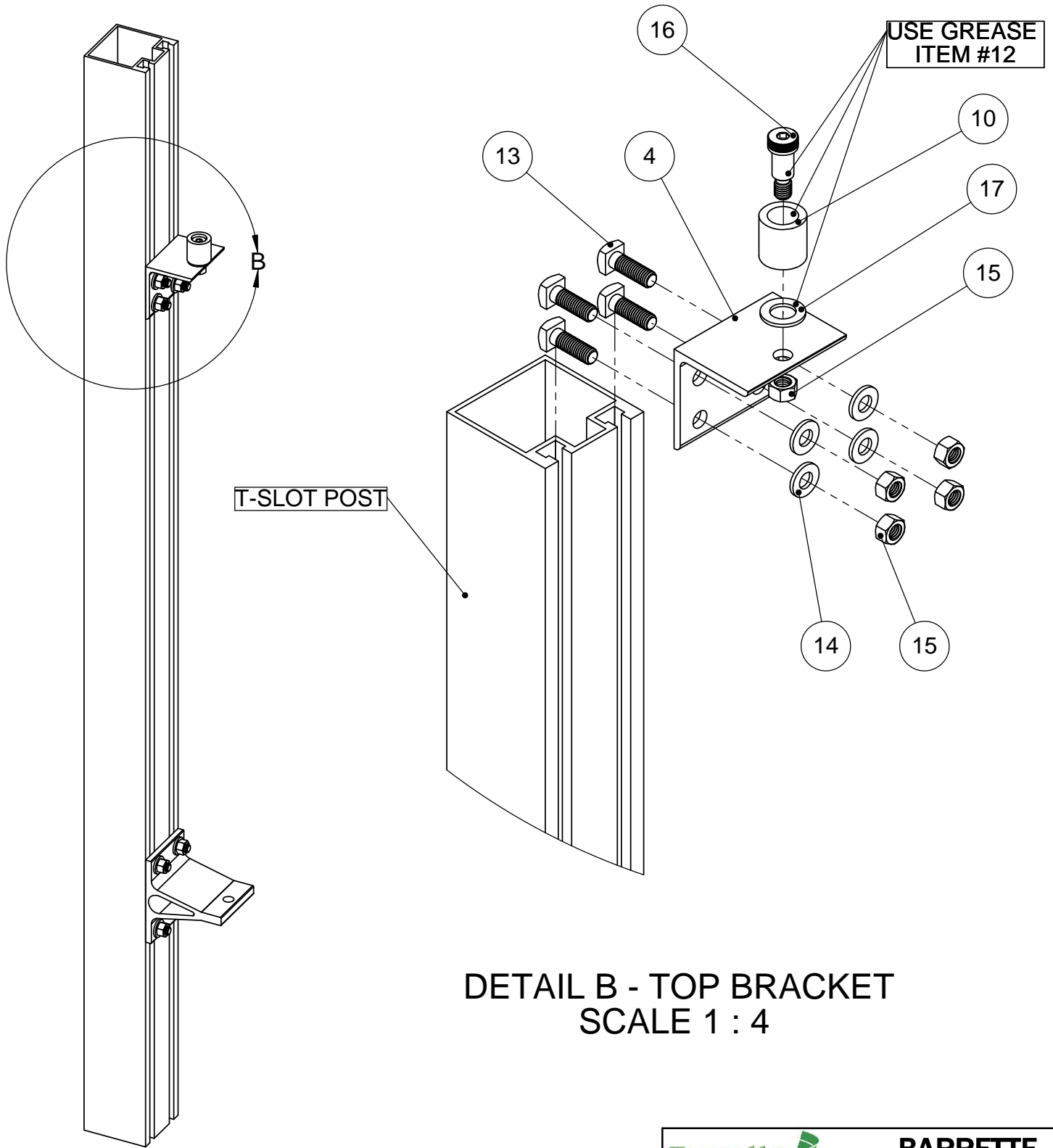
Barrette		BARRETTE Outdoor Living	
DRAWN: J.S.	DATE: 7-12-17	APPROVED:	
DESCRIPTION: T-SLOT SNGL CANTILEVER BTM TRACK INSTRUCTIONS			
SHEET 3 OF 9	REVISION:	PART NUMBER: 34110344	
SCALE 1:12			
WEIGHT:			



DETAIL A - BTM BRACKET
SCALE 1 : 4

THE INFORMATION CONTAINED IN THIS DRAWING IS PROTECTED BY COPYRIGHT AND PATENT LAWS OF THE UNITED STATES AND OTHER COUNTRIES. ANY REPRODUCTION IN PART OR AS A WHOLE WITHOUT WRITTEN PERMISSION IS PROHIBITED.

Barrette		BARRETTE Outdoor Living	
DRAWN: J.S.	DATE: 7-12-17	APPROVED:	
DESCRIPTION: T-SLOT SNGL CANTILEVER BTM TRACK INSTRUCTIONS			
SHEET 4 OF 9	REVISION	PART NUMBER	
SCALE 1:4	0	34110344	
WEIGHT:			



DETAIL B - TOP BRACKET
SCALE 1 : 4

THE INFORMATION CONTAINED IN THIS DRAWING IS PROTECTED BY COPYRIGHT AND PATENT LAWS OF THE UNITED STATES AND OTHER COUNTRIES. ANY REPRODUCTION IN PART OR AS A WHOLE WITHOUT WRITTEN PERMISSION IS PROHIBITED.

Barrette		BARRETTE Outdoor Living	
DRAWN: J.S.	DATE: 7-12-17	APPROVED:	
DESCRIPTION: T-SLOT SNGL CANTILEVER BTM TRACK INSTRUCTIONS			
SHEET 5 OF 9	REVISION	PART NUMBER	
SCALE 1:4	0	34110344	
WEIGHT:			

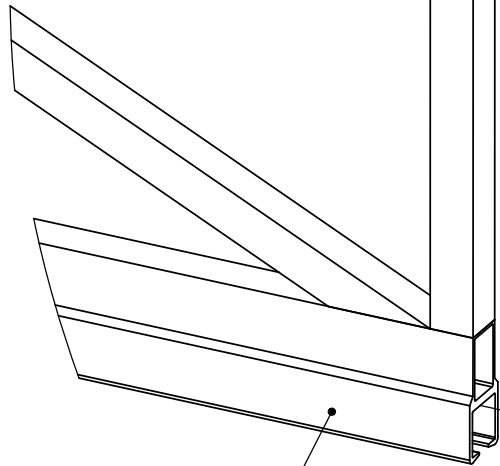
UPPER ROLER
GUIDE TRACK

10

T-SLOT POST

4

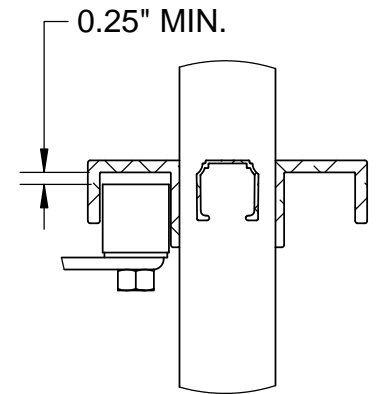
GATE UPRIGHT



BTM TRACK

6



5

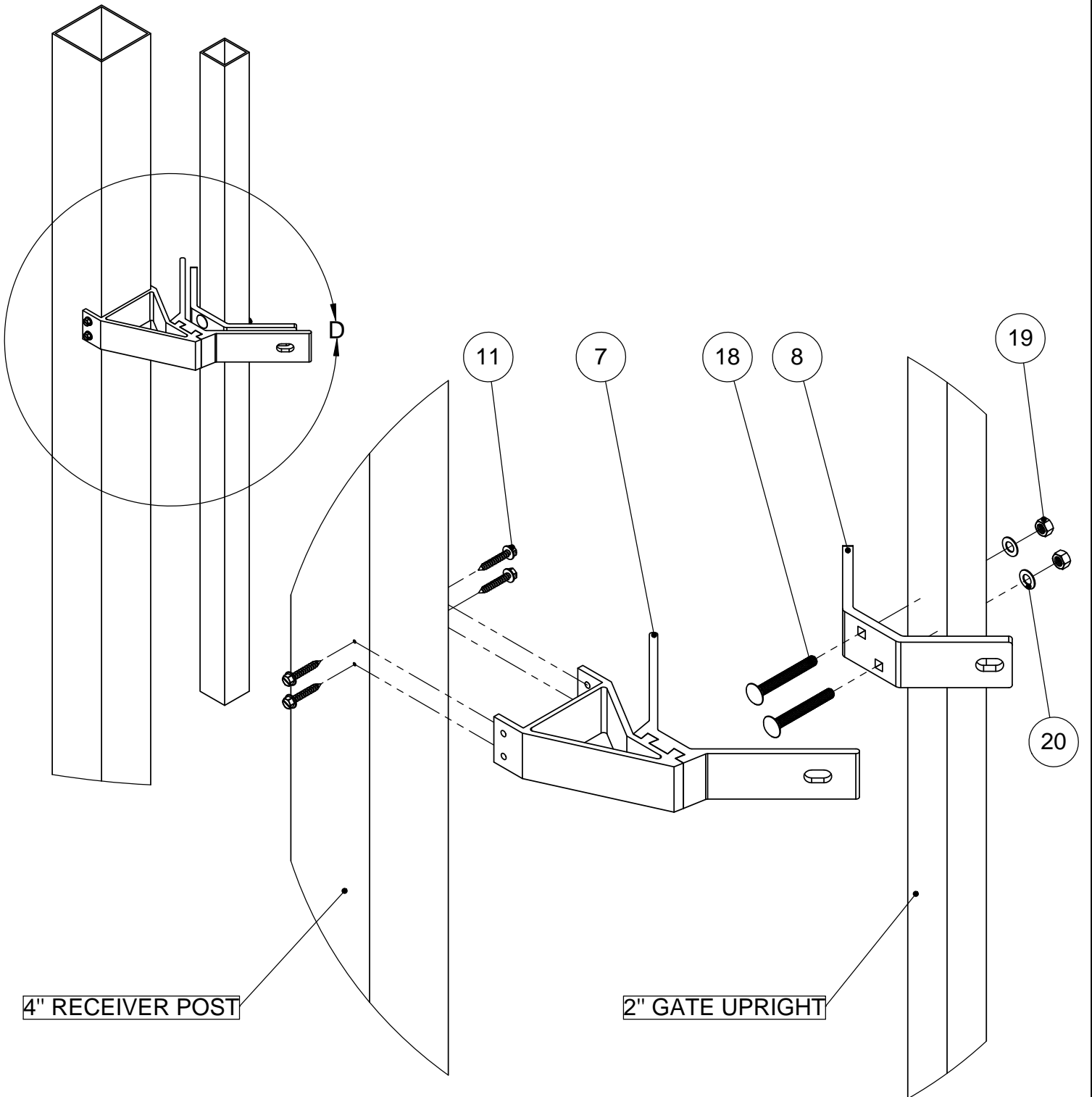


GUIDE TRACK-DETAIL
SCALE 1 : 4

DETAIL C - GATE POSITIONING
SCALE 1 : 8


THE INFORMATION CONTAINED IN THIS DRAWING IS PROTECTED BY COPYRIGHT AND PATENT LAWS OF THE UNITED STATES AND OTHER COUNTRIES. ANY REPRODUCTION IN PART OR AS A WHOLE WITHOUT WRITTEN PERMISSION IS PROHIBITED.

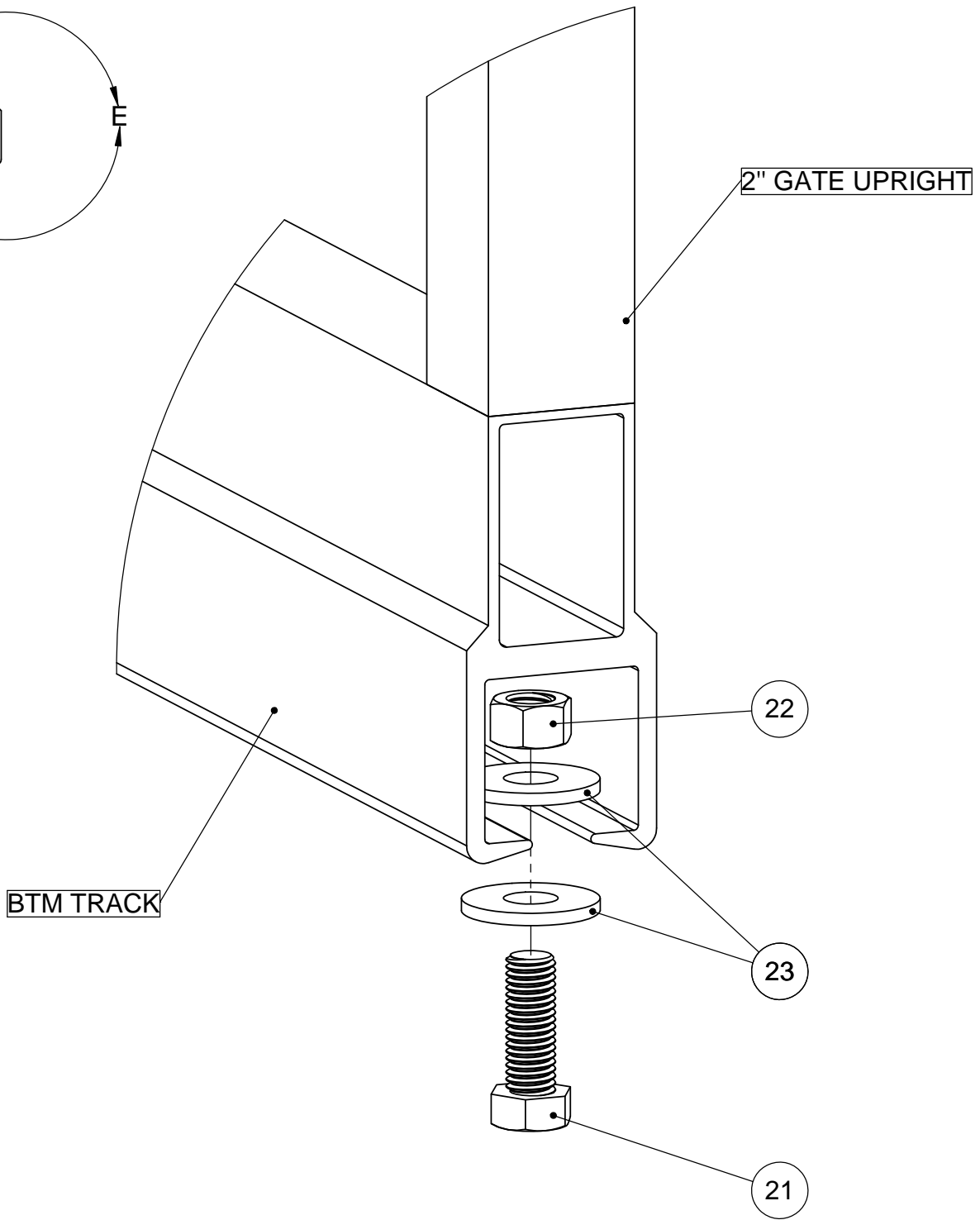
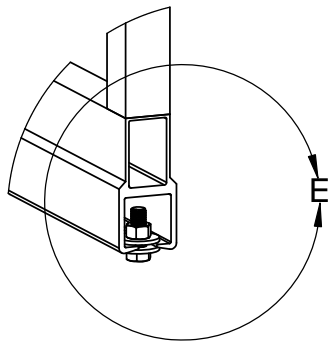
		BARRETTE Outdoor Living	
DRAWN: J.S.	DATE: 7-12-17	APPROVED:	
DESCRIPTION: T-SLOT SNGL CANTILEVER BTM TRACK INSTRUCTIONS			
SHEET 6 OF 9	REVISION	PART NUMBER	
SCALE 1:8		34110344	
WEIGHT:			



DETAIL D - RECEIVER
SCALE 1 : 5

THE INFORMATION CONTAINED IN THIS DRAWING IS PROTECTED BY COPYRIGHT AND PATENT LAWS OF THE UNITED STATES AND OTHER COUNTRIES. ANY REPRODUCTION IN PART OR AS A WHOLE WITHOUT WRITTEN PERMISSION IS PROHIBITED.

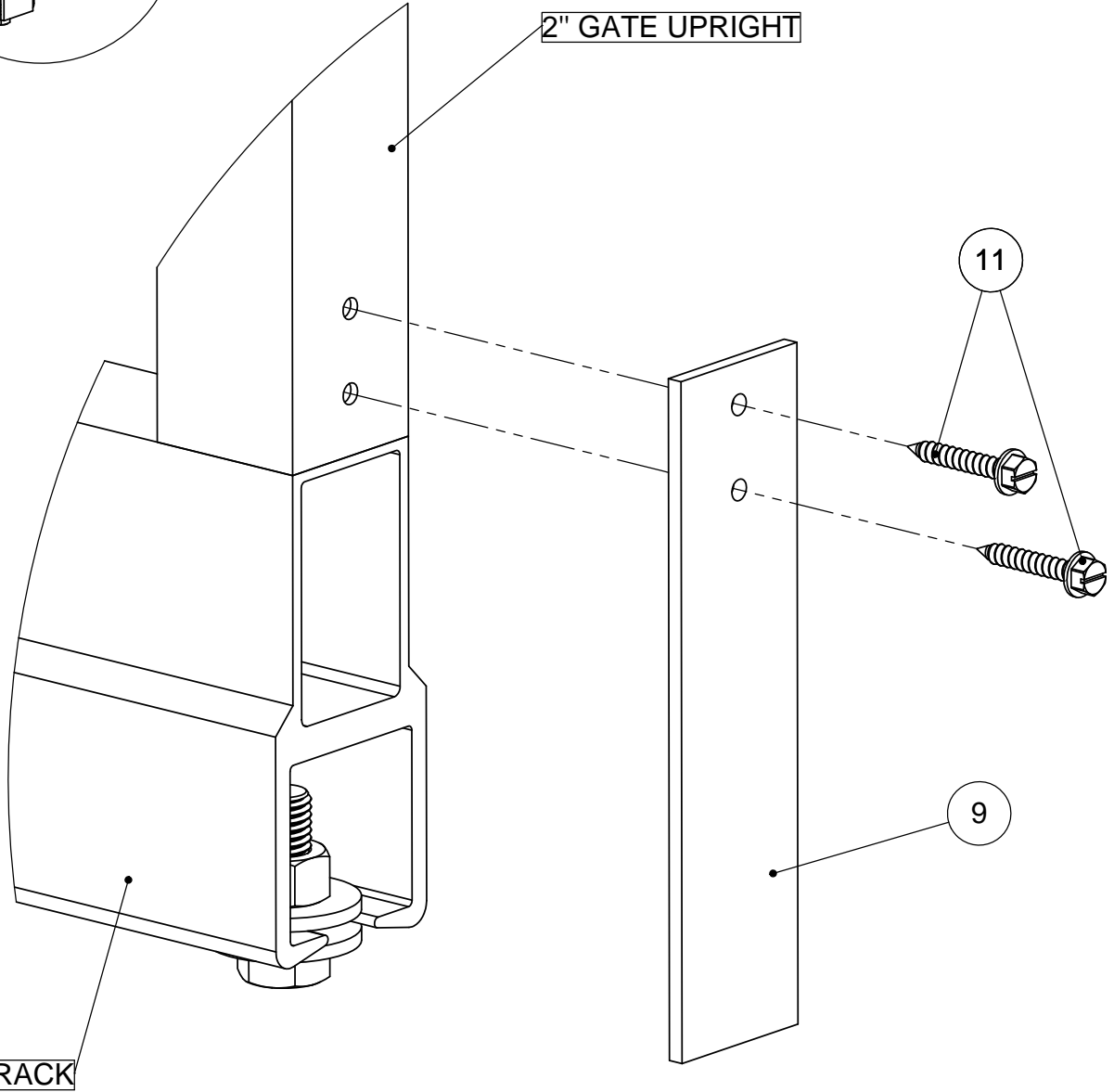
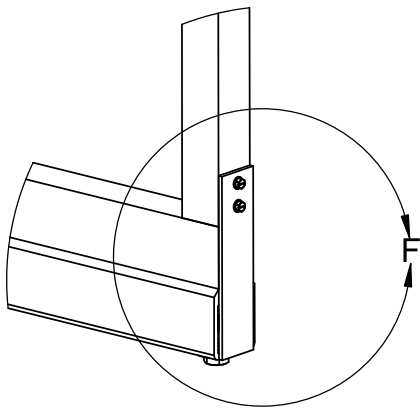
		BARRETTE Outdoor Living	
DRAWN: J.S.	DATE: 7-12-17	APPROVED:	
DESCRIPTION: T-SLOT SNGL CANTILEVER BTM TRACK INSTRUCTIONS			
SHEET 7 OF 9	REVISION	PART NUMBER	
SCALE 1:5	0	34110344	
WEIGHT:			



DETAIL E - GATE STOP
SCALE 1 : 2

Barrette		BARRETTE Outdoor Living	
DRAWN: J.S.	DATE: 7-12-17	APPROVED:	
DESCRIPTION: T-SLOT SNGL CANTILEVER BTM TRACK INSTRUCTIONS			
SHEET 8 OF 9	REVISION	PART NUMBER	
SCALE 1:2	0	34110344	
WEIGHT:			

THE INFORMATION CONTAINED IN THIS DRAWING IS PROTECTED BY COPYRIGHT AND PATENT LAWS OF THE UNITED STATES AND OTHER COUNTRIES. ANY REPRODUCTION IN PART OR AS A WHOLE WITHOUT WRITTEN PERMISSION IS PROHIBITED.



BTM TRACK



2" GATE UPRIGHT

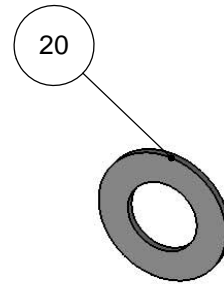
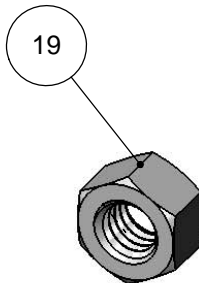
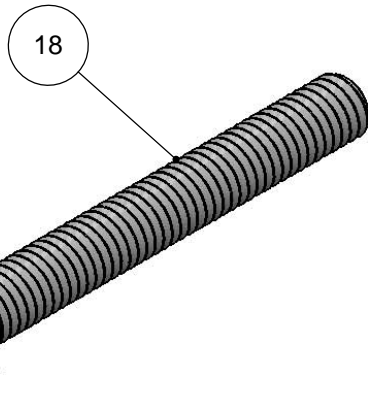
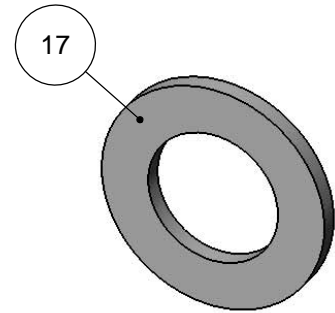
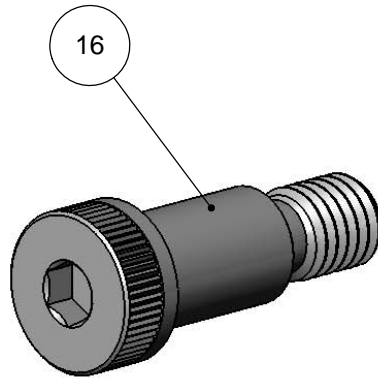
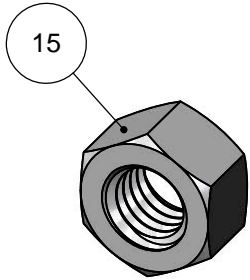
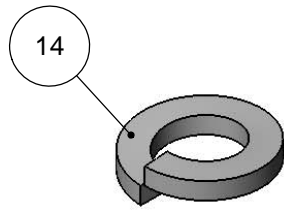
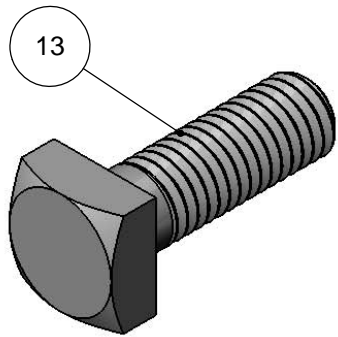
11

9

DETAIL F - END COVER
SCALE 1 : 2

THE INFORMATION CONTAINED IN THIS DRAWING IS PROTECTED BY COPYRIGHT AND PATENT LAWS OF THE UNITED STATES AND OTHER COUNTRIES. ANY REPRODUCTION IN PART OR AS A WHOLE WITHOUT WRITTEN PERMISSION IS PROHIBITED.

		BARRETTE Outdoor Living	
DRAWN:	J.S.	DATE:	7-12-17
		APPROVED:	
DESCRIPTION: T-SLOT SNGL CANTILEVER BTM TRACK INSTRUCTIONS			
SHEET 9 OF 9		REVISION	PART NUMBER
SCALE 1:2			34110344
WEIGHT:			

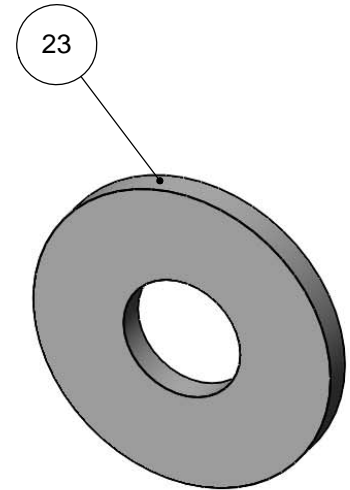
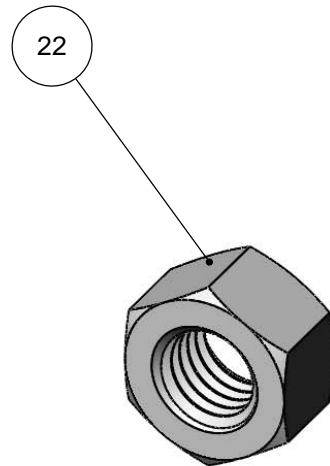
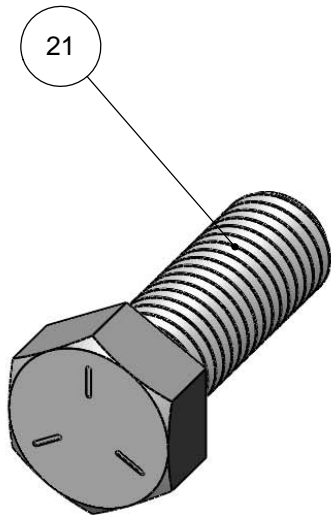


ITEM #	PART #	DESCRIPTION	QTY
13	34110253	1/2"-13x1 1/2" SQ HD BOLT ZINC GRADE 5	16
14	34110251	1/2" SPLIT LOCK WASHER ZINC	16
15	34110252	1/2"-13 HEX NUT ZINC	18
16	34110257	5/8" SHOULDER BOLT 1" LONG STEEL	2
17	34110215	NYLON WASHER .08x1.25x.75 ID	2
18	34110256	3/8"-16x3" CARRIAGE BOLT ZINC GRADE A307	2
19	34110107	3/8"-16 HEX NUT ZINC	2
20	34110281	3/8" WASHER ZINC	2

THE INFORMATION CONTAINED IN THIS DRAWING IS PROTECTED BY COPYRIGHT AND PATENT LAWS OF THE UNITED STATES AND OTHER COUNTRIES. ANY REPRODUCTION IN PART OR AS A WHOLE WITHOUT WRITTEN PERMISSION IS PROHIBITED.

		BARRETTE Outdoor Living	
DRAWN:	J.S.	DATE:	7-13-17
APPROVED:			
DESCRIPTION: T-SLOT SNGL CANTILEVER BTM TRACK HARDWARE KIT			
SHEET 1 OF 1		REVISION	PART NUMBER
SCALE 1:1		0	6111226
WEIGHT:			

ITEM #	PART #	DESCRIPTION	QTY
21	34110578	5/8"-11X1-3/4 BOLT HEX HD ZINC GRADE 5	1
22	34110579	5/8"-11 HEX NUT ZINC	1
23	34110580	5/8" FLAT WASHER ZINC	2



THE INFORMATION CONTAINED IN THIS DRAWING IS PROTECTED BY COPYRIGHT AND PATENT LAWS OF THE UNITED STATES AND OTHER COUNTRIES. ANY REPRODUCTION IN PART OR AS A WHOLE WITHOUT WRITTEN PERMISSION IS PROHIBITED.

		BARRETTE Outdoor Living
DRAWN: J.S.	DATE: 7-13-17	APPROVED:
DESCRIPTION: HARDWARE KIT CANTILEVER GATE STOP		
SHEET 1 OF 1	REVISION	PART NUMBER
SCALE 1:1	0	61123135
WEIGHT:		