

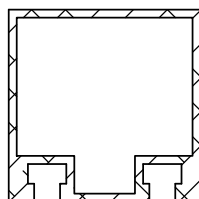
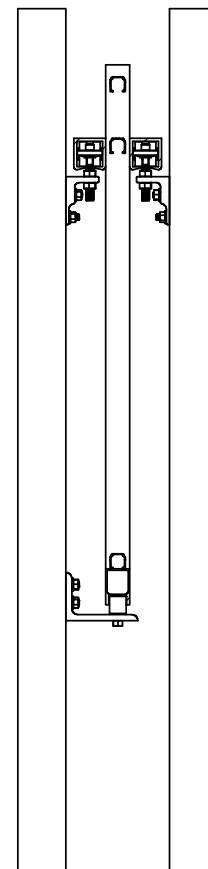


T-SLOT SINGLE CANTILEVER

DOUBLE SIDE TRACK



Installation Kit - Instructions

SKU	COLOR
61111154	BEIGE
61111298	BLACK
61111155	FLORIDA BRONZE
61111156	GREEN
61111157	GRAY
61111158	LIGHT BRONZE
61118954	MATTE BLACK
61111159	MILL
61118955	MATTE BRONZE
61111160	WHITE



ITEM #	PART #				DESCRIPTION	QTY
1	34110343				T-SLOT SNGL CANTILEVER DBL SIDE TRACK INSTRUCTIONS	1
2	61111227				T-SLOT SNGL CANTILEVER DBL SIDE TRACK HARDWARE KIT	1
3	61123135				HARDWARE KIT CANTILEVER GATE STOP	1
4	61111213	BG	61111218	LB	T-SLOT SIDE TROLLEY BRACKET	4
	61111214	BK	61118426	MB		
	61111215	BZ	61111219	MF		
	61111216	GR	61118427	MZ		
	61111217	GY	61111220	WH		
5	61111189	BG	61111194	LB	T-SLOT BTM GUIDE BRACKET	2
	61111190	BK	61119095	MB		
	61111191	BZ	61111195	MF		
	61111192	GR	61119096	MZ		
	61111193	GY	61111196	WH		
6	34110853				TROLLEY 4 WHEEL TA-100	4
7	61111181	BG	61111186	LB	T-SLOT RECEIVER POST 4"	1
	61111182	BK	61118428	MB		
	61111183	BZ	61111187	MF		
	61111184	GR	61118429	MZ		
	61111185	GY	61111188	WH		
8	61111173	BG	61111178	LB	T-SLOT RECEIVER GATE	1
	61111174	BK	61119093	MB		
	61111175	BZ	61111179	MF		
	61111176	GR	61119094	MZ		
	61111177	GY	61111180	WH		
9	73022729	BG	61111036	LB	COVER CANTILEVER GATE TRACK	2
	73022730	BK	61119087	MB		
	73022731	BZ	61111037	MF		
	73022732	GR	61119088	MZ		
	61111035	GY	73022733	WH		
10	34110287				1.43" DIA. DERLIN GUIDE WHEEL	2

THE INFORMATION CONTAINED IN THIS DRAWING IS PROTECTED BY COPYRIGHT AND PATENT LAWS OF THE UNITED STATES AND OTHER COUNTRIES. ANY REPRODUCTION IN PART OR AS A WHOLE WITHOUT WRITTEN PERMISSION IS PROHIBITED.



		BARRETTE Outdoor Living	
DRAWN: J.S.	DATE: 7-19-17	APPROVED:	
DESCRIPTION: T-SLOT SNGL CANTILEVER DBL SIDE TRACK INSTRUCTIONS			
SHEET 1 OF 9	REVISION: 	PART NUMBER: 34110343	
SCALE:	WEIGHT:		

ITEM #	PART #				DESCRIPTION	QTY
11	73022816	BG	73026018	GY	SCREW #14x1-1/2" HX HD SDS 410 SS	10
	73022817	BK	73022820	LB		
	73022818	BZ	73022415	MF		
	73022819	GR	73022821	WH		
12	73022648	BG	73022652	GY	SCREW #10x1" HX HD SDS 410 SS	4
	73022649	BK	73022653	LB		
	73022650	BZ	73022337	MF		
	73022651	GR	73022655	WH		
13	34110341				GREASE 3 OZ.	1
14	34110253				1/2"-13x1 1/2" SQ HD BOLT ZINC GRADE 5	16
15	34110254				1/2"-13x1 3/4" SQ HD BOLT ZINC GRADE 5	8
16	34110251				1/2" SPLIT LOCK WASHER ZINC	24
17	34110252				1/2"-13 HEX NUT ZINC	26
18	34110257				5/8" SHOULDER BOLT 1" LONG STEEL	2
19	34110215				NYLON WASHER .08x1.25x.75 ID	2
20	34110256				3/8"-16x3" CARRIAGE BOLT ZINC GRADE A307	2
21	34110107				3/8"-16 HEX NUT ZINC	2
22	34110281				3/8" WASHER ZINC	2
23	34110578				5/8"-11X1-3/4 BOLT HEX HD ZINC GRADE 5	1
24	34110579				5/8"-11 HEX NUT ZINC	1
25	34110580				5/8" FLAT WASHER ZINC	2

NOTE:

- 1.) ITEM #14 TO #22 IS PART OF 61111227 HARDWARE KIT (SEE SHEET 1 - ITEM 2)
- 2.) ITEM #23 TO #25 IS PART OF 61123135 HARDWARE KIT (SEE SHEET 1 - ITEM 3)
- 3.) FOR MATTE BLACK KITS USE BLACK SCREWS
- 4.) FOR MATTE BRONZE KITS USE LIGHT BRONZE SCREWS

THE INFORMATION CONTAINED IN THIS DRAWING IS PROTECTED BY COPYRIGHT AND PATENT LAWS OF THE UNITED STATES AND OTHER COUNTRIES. ANY REPRODUCTION IN PART OR AS A WHOLE WITHOUT WRITTEN PERMISSION IS PROHIBITED.

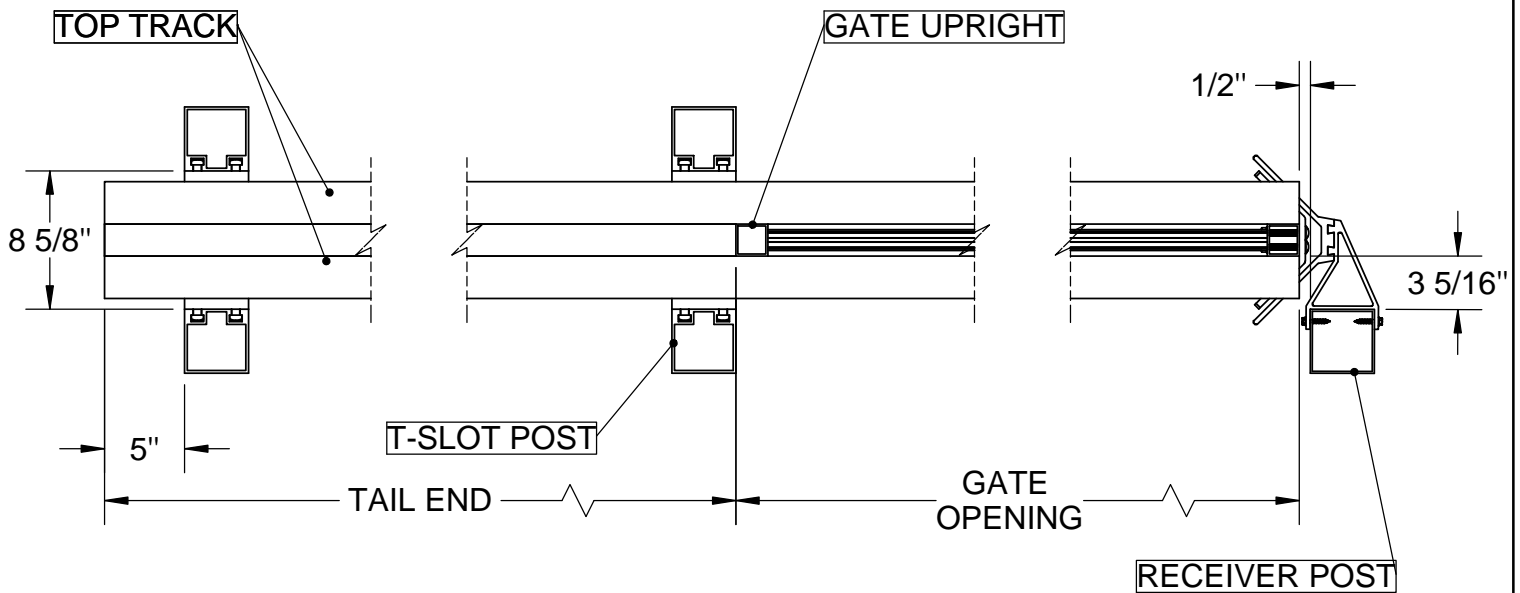
		BARRETTE Outdoor Living	
DRAWN: J.S.	DATE: 7-19-17	APPROVED:	
DESCRIPTION: T-SLOT SNGL CANTILEVER DBL SIDE TRACK INSTRUCTIONS			
SHEET 2 OF 9	REVISION: 	PART NUMBER: 34110343	
SCALE:			
WEIGHT:			

INSTALLATION PROCEDURE:

- 1.SET T-SLOT POSTS IN THE GROUND - SEE POST LOCATION BELOW.
- 2.INSTALL BTM BRACKET (ITEM #5) AND GUIDE WHEEL (ITEM #10) - SEE SHEET 4
- 3.INSTALL TOP BRACKET (ITEM #4) AND WHEEL TROLLEY (ITEM #6) - SEE SHEET 5
- 4.PLACE GATE IN THE POSITION - SLIDE GATE TOP TRACK INTO WHEEL TROLLEY (ITEM #6) AND BTM ROLLER GUIDE ON GUIDE WHEEL (ITEM #10) - SEE SHEET 6
5. INSTALL POST RECEIVER (ITEM #7) AND GATE RECEIVER (ITEM #8) - SEE SHEET 7
6. INSTALL GATE STOP (BOLT- ITEM #23,NUT- ITEM #24, WASHER- ITEM #25) ON THE END OF THE TRACK - SEE SHEET 8 (**ONE GATE STOP REQUIRED ONLY - PER LEAF**)
- 7.INSTALL COVER TRACK (ITEM #9) ON THE END OF THE TRACK - SEE SHEET 9

NOTE:

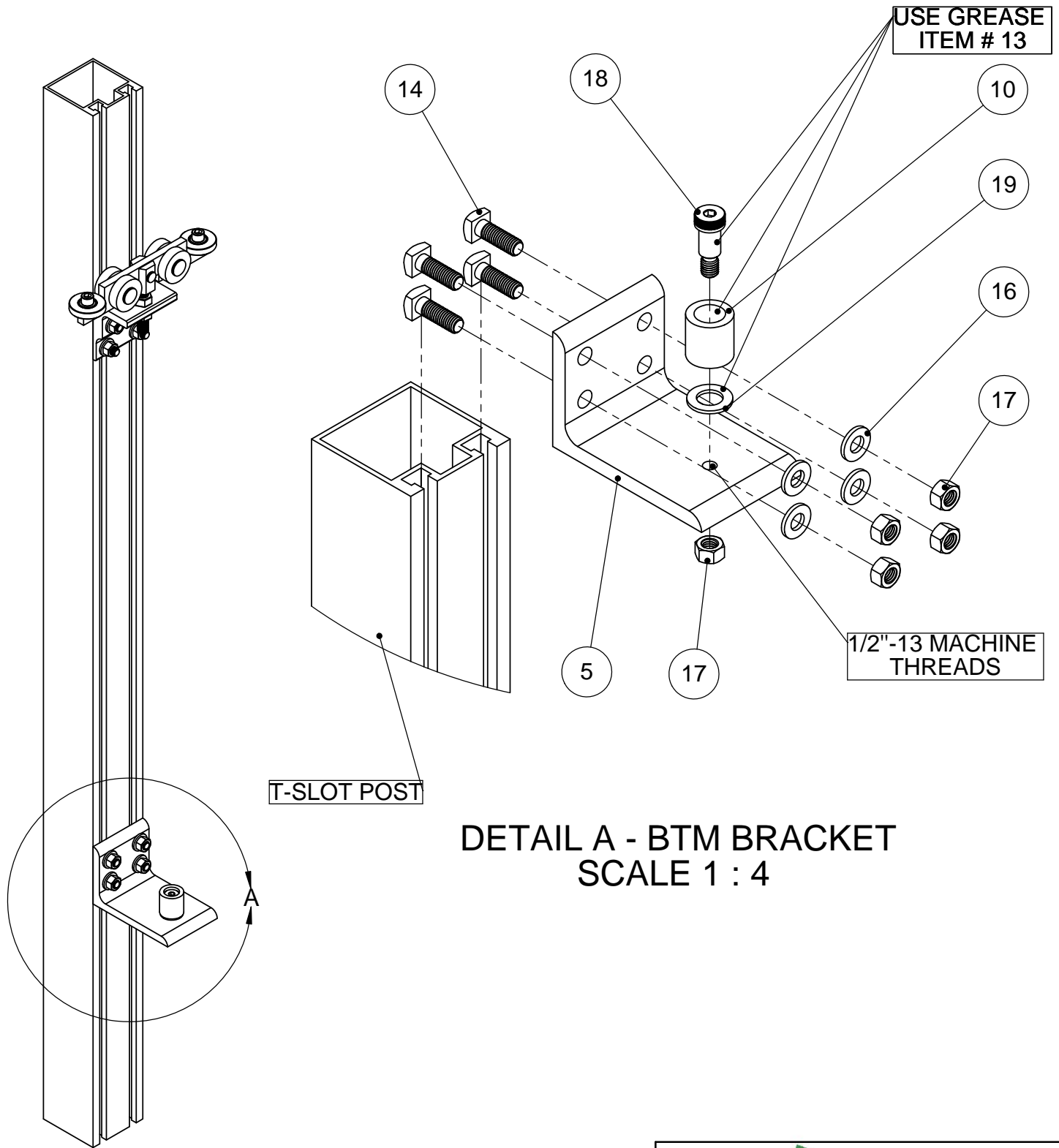
- **INSTALL BTM BRACKETS FIRST**
- **APPLY GREASE (ITEM #13) ON THE SHOULDER BOLTS (ITEM #18), INSIDE GUIDE WHEELS (ITEM # 10) AND TOP OF NYLON WASHER (ITEM #19). MAINTAIN GREASE EVERY 4 TO 6 MONTHS.**



POST LOCATION DETAIL
SCALE 1:12

THE INFORMATION CONTAINED IN THIS DRAWING IS PROTECTED BY COPYRIGHT AND PATENT LAWS OF THE UNITED STATES AND OTHER COUNTRIES. ANY REPRODUCTION IN PART OR AS A WHOLE WITHOUT WRITTEN PERMISSION IS PROHIBITED.

		BARRETTE Outdoor Living	
DRAWN: J.S.	DATE: 7-19-17	APPROVED:	
DESCRIPTION: T-SLOT SNGL CANTILEVER DBL SIDE TRACK INSTRUCTION			
SHEET 3 OF 9	REVISION: 0	PART NUMBER: 34110343	
SCALE 1:12			
WEIGHT:			

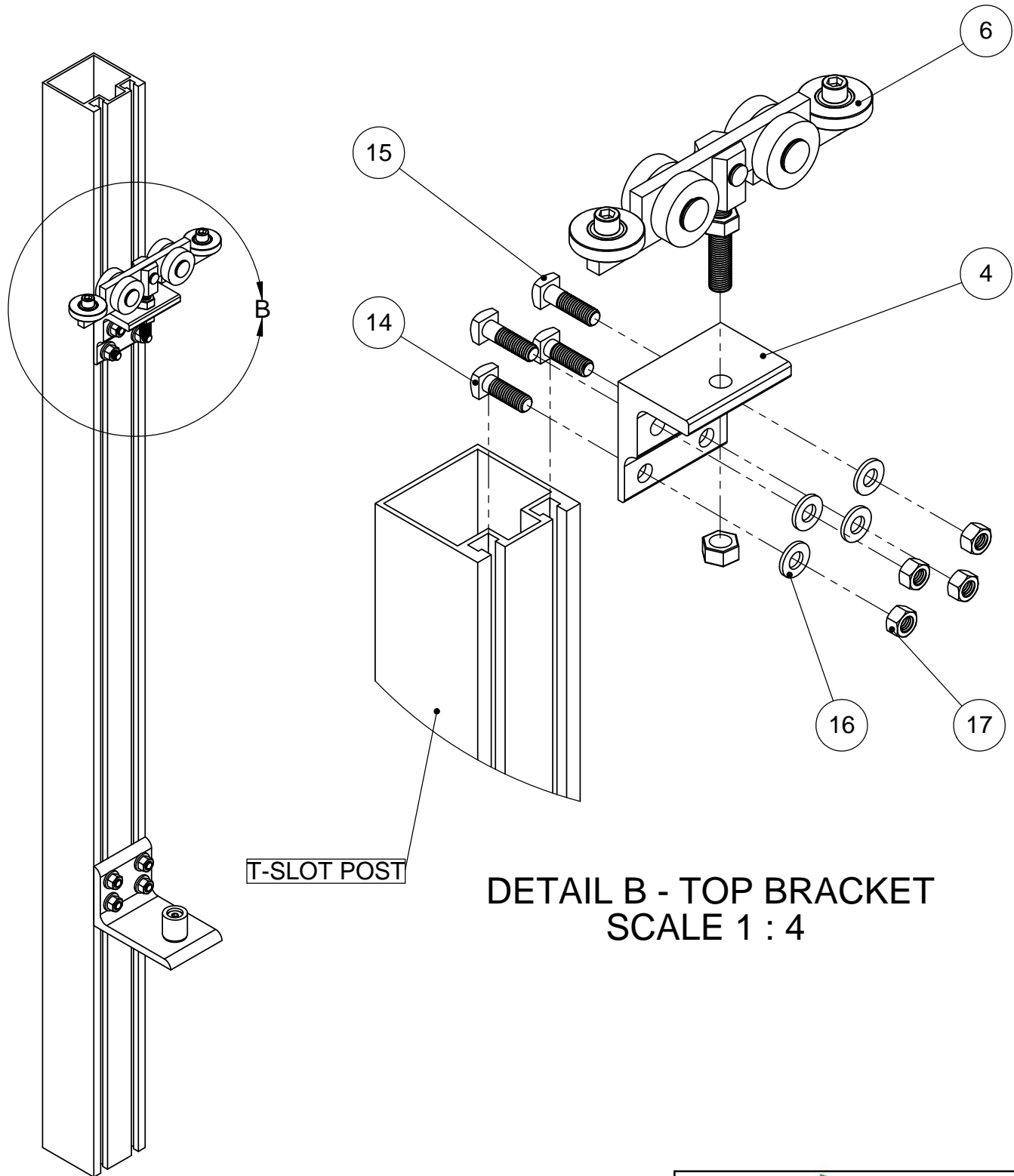


T-SLOT POST

DETAIL A - BTM BRACKET
SCALE 1 : 4

THE INFORMATION CONTAINED IN THIS DRAWING IS PROTECTED BY COPYRIGHT AND PATENT LAWS OF THE UNITED STATES AND OTHER COUNTRIES. ANY REPRODUCTION IN PART OR AS A WHOLE WITHOUT WRITTEN PERMISSION IS PROHIBITED.

Barrette		BARRETTE Outdoor Living	
DRAWN: J.S.	DATE: 7-19-17	APPROVED:	
DESCRIPTION: T-SLOT SNGL CANTILEVER DBL SIDE TRACK INSTRUCTION			
SHEET 4 OF 9	REVISION	PART NUMBER	
SCALE 1:4	0	34110343	
WEIGHT:			

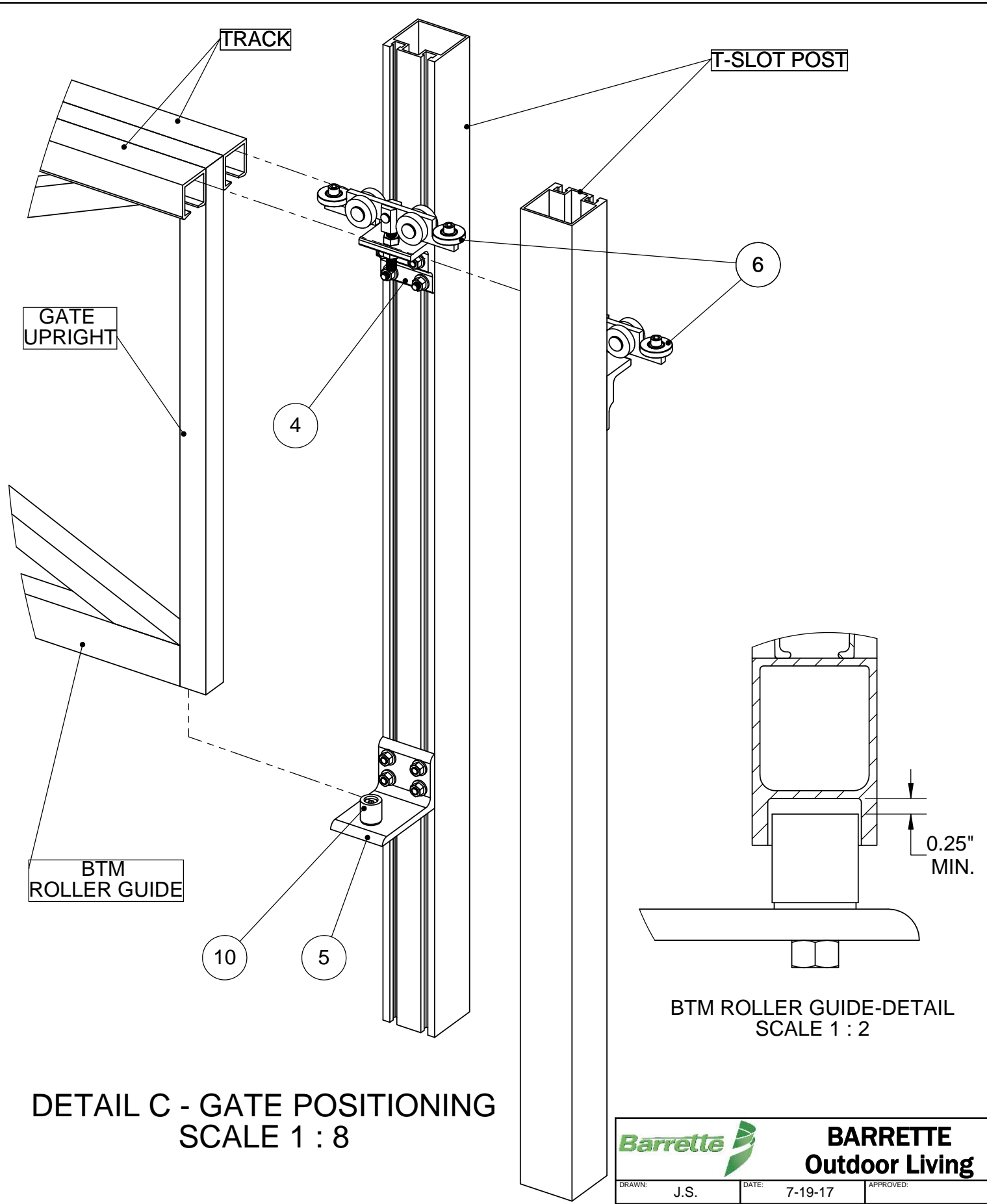


T-SLOT POST

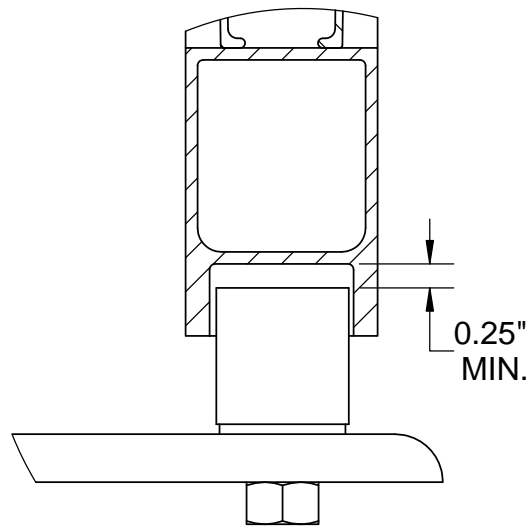
DETAIL B - TOP BRACKET
SCALE 1 : 4

THE INFORMATION CONTAINED IN THIS DRAWING IS PROTECTED BY COPYRIGHT AND PATENT LAWS OF THE UNITED STATES AND OTHER COUNTRIES. ANY REPRODUCTION IN PART OR AS A WHOLE WITHOUT WRITTEN PERMISSION IS PROHIBITED.

Barrette		BARRETTE Outdoor Living	
DRAWN: J.S.	DATE: 7-19-17	APPROVED:	
DESCRIPTION: T-SLOT SNGL CANTILEVER DBL SIDE TRACK INSTRUCTION			
SHEET 5 OF 9	REVISION	PART NUMBER	
SCALE 1:4	0	34110343	
WEIGHT:			



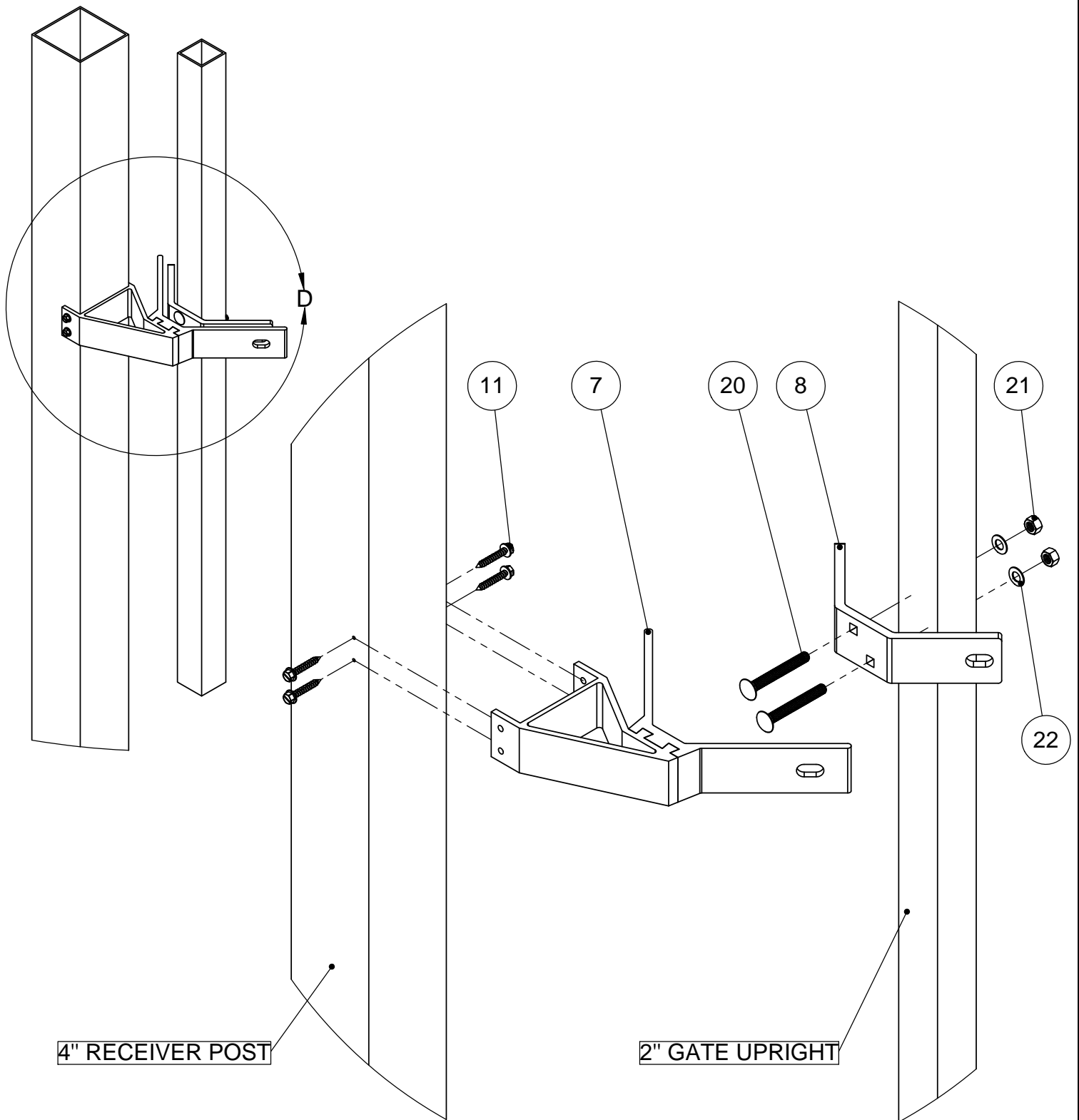
**DETAIL C - GATE POSITIONING
SCALE 1 : 8**



**BTM ROLLER GUIDE-DETAIL
SCALE 1 : 2**

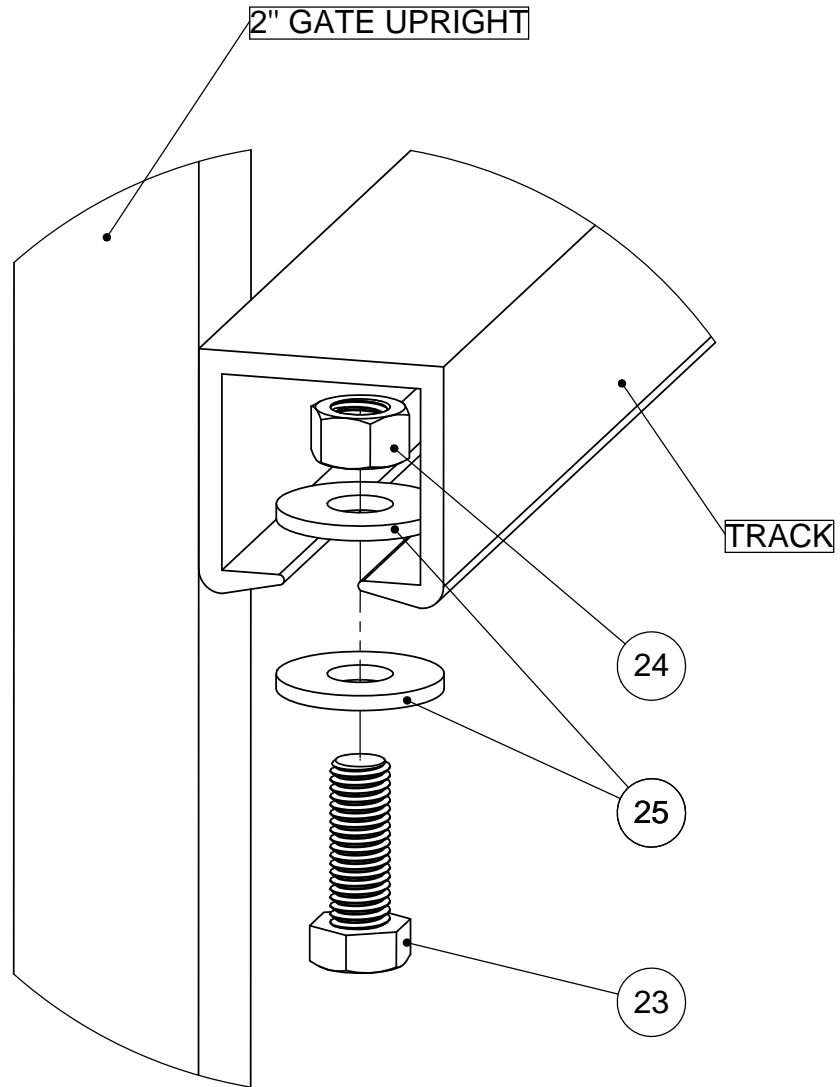
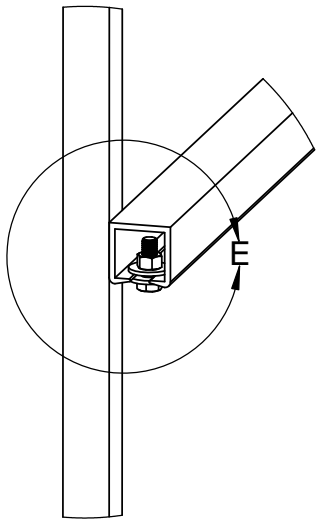
THE INFORMATION CONTAINED IN THIS DRAWING IS PROTECTED BY COPYRIGHT AND PATENT LAWS OF THE UNITED STATES AND OTHER COUNTRIES. ANY REPRODUCTION IN PART OR AS A WHOLE WITHOUT WRITTEN PERMISSION IS PROHIBITED.

Barrette		BARRETTE Outdoor Living	
DRAWN: J.S.	DATE: 7-19-17	APPROVED:	
DESCRIPTION: T-SLOT SNGL CANTILEVER DBL SIDE TRACK INSTRUCTION			
SHEET 6 OF 9	REVISION	PART NUMBER	
SCALE 1:8	0	34110343	
WEIGHT:			



THE INFORMATION CONTAINED IN THIS DRAWING IS PROTECTED BY COPYRIGHT AND PATENT LAWS OF THE UNITED STATES AND OTHER COUNTRIES. ANY REPRODUCTION IN PART OR AS A WHOLE WITHOUT WRITTEN PERMISSION IS PROHIBITED.

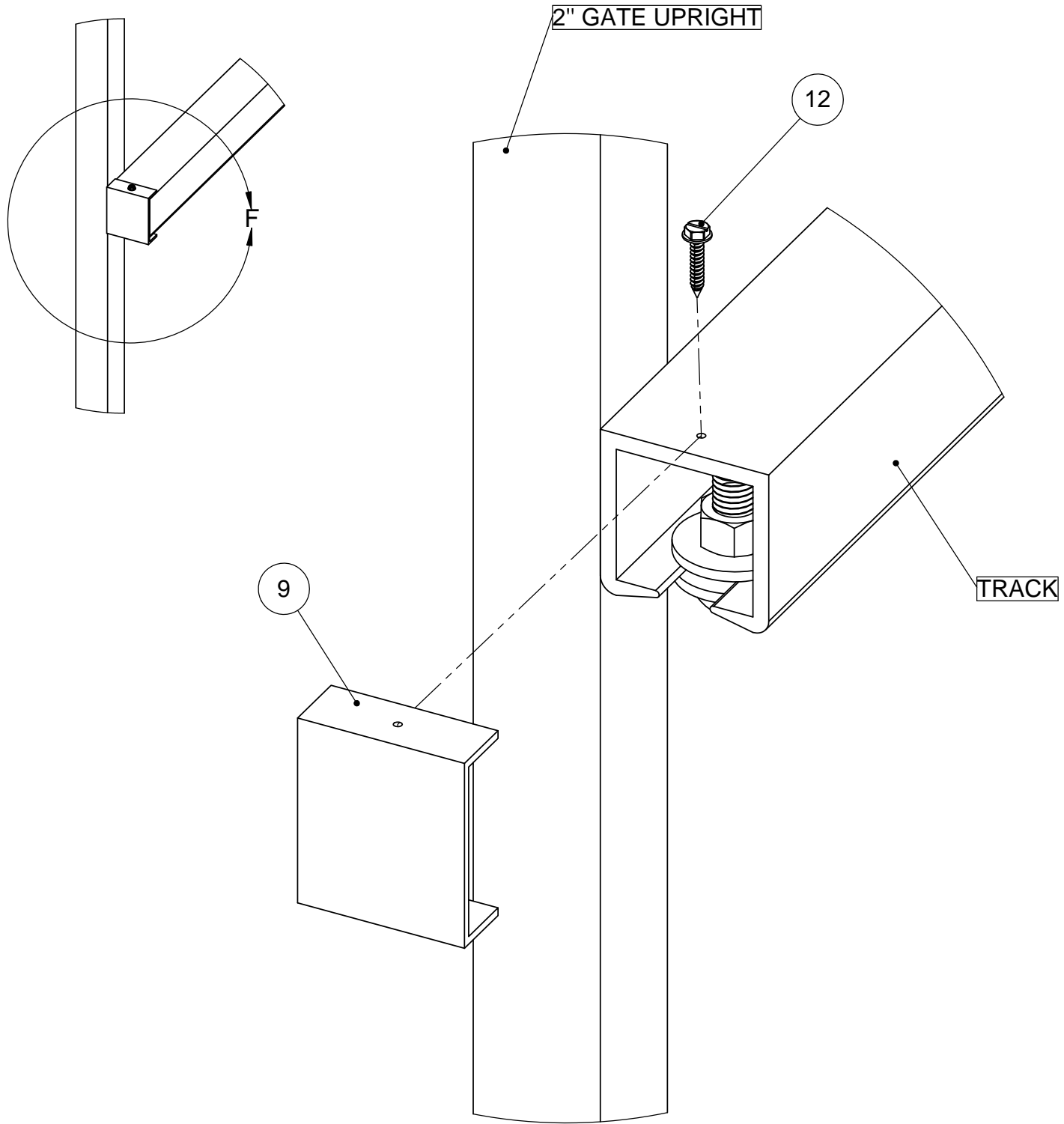
Barrette		BARRETTE	
		Outdoor Living	
DRAWN: J.S.	DATE: 7-19-17	APPROVED:	
DESCRIPTION: T-SLOT SNGL CANTILEVER DBL SIDE TRACK INSTRUCTION			
SHEET 7 OF 9	REVISION	PART NUMBER	
SCALE 1:5	0	34110343	
WEIGHT:			



DETAIL E - GATE STOP
SCALE 1 : 2

THE INFORMATION CONTAINED IN THIS DRAWING IS PROTECTED BY COPYRIGHT AND PATENT LAWS OF THE UNITED STATES AND OTHER COUNTRIES. ANY REPRODUCTION IN PART OR AS A WHOLE WITHOUT WRITTEN PERMISSION IS PROHIBITED.

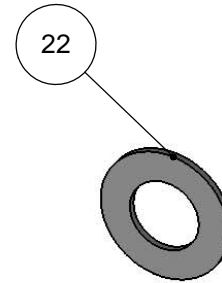
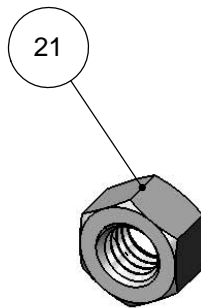
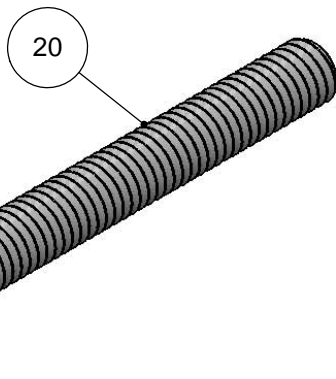
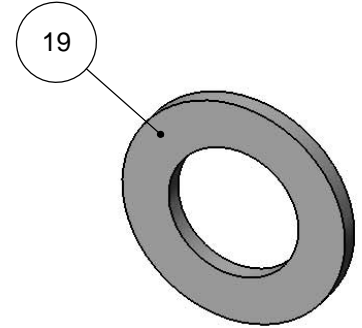
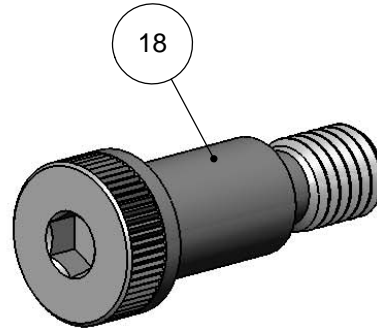
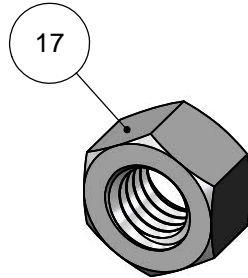
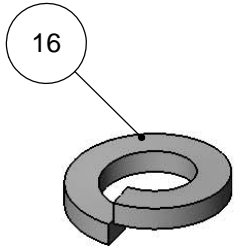
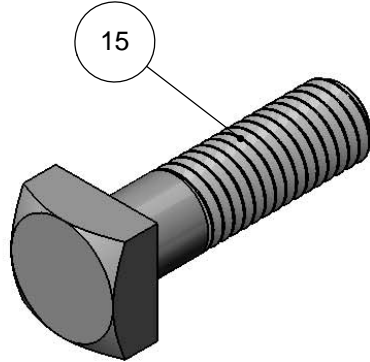
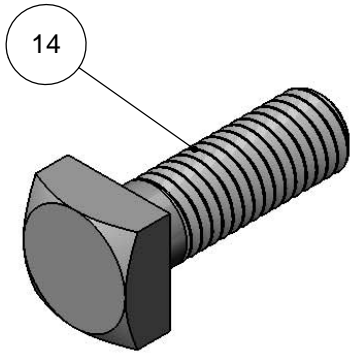
		BARRETTE Outdoor Living	
DRAWN: J.S.	DATE: 7-19-17	APPROVED:	
DESCRIPTION: T-SLOT SNGL CANTILEVER DBL SIDE TRACK INSTRUCTION			
SHEET 8 OF 9	REVISION	PART NUMBER	
SCALE 1:2		34110343	
WEIGHT:			



DETAIL F - COVER TRACK
SCALE 1 : 2

THE INFORMATION CONTAINED IN THIS DRAWING IS PROTECTED BY COPYRIGHT AND PATENT LAWS OF THE UNITED STATES AND OTHER COUNTRIES. ANY REPRODUCTION IN PART OR AS A WHOLE WITHOUT WRITTEN PERMISSION IS PROHIBITED.

Barrette		BARRETTE Outdoor Living	
DRAWN: J.S.	DATE: 7-19-17	APPROVED:	
DESCRIPTION: T-SLOT SNGL CANTILEVER DBL SIDE TRACK INSTRUCTION			
SHEET 9 OF 9	REVISION	PART NUMBER	
SCALE 1:2	0	34110343	
WEIGHT:			

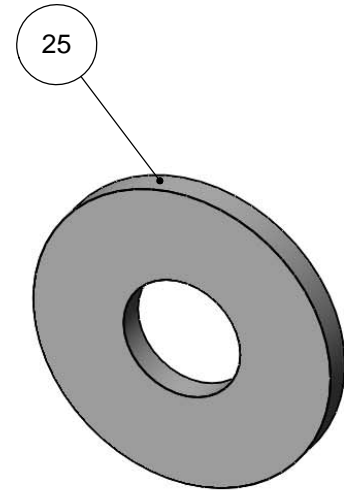
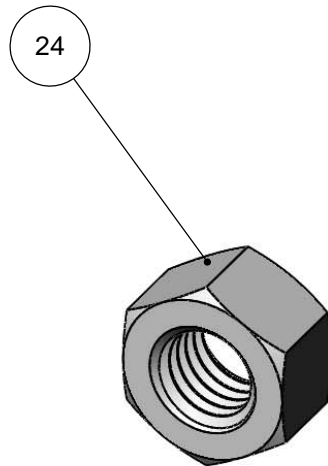
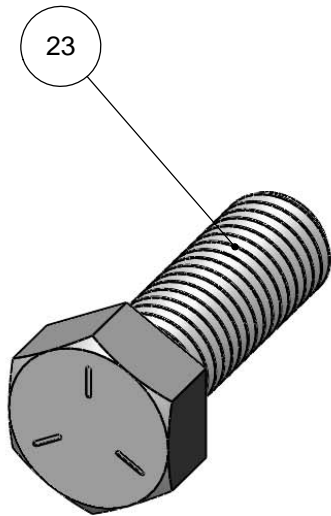


ITEM #	PART #	DESCRIPTION	QTY
14	34110253	1/2"-13x1 1/2" SQ HD BOLT ZINC GRADE 5	16
15	34110254	1/2"-13x1 3/4" SQ HD BOLT ZINC GRADE 5	8
16	34110251	1/2" SPLIT LOCK WASHER ZINC	24
17	34110252	1/2"-13 HEX NUT ZINC	26
18	34110257	5/8" SHOULDER BOLT 1" LONG STEEL	2
19	34110215	NYLON WASHER .08x1.25x.75 ID	2
20	34110256	3/8"-16x3" CARRIAGE BOLT ZINC GRADE A307	2
21	34110107	3/8"-16 HEX NUT ZINC	2
22	34110281	3/8" WASHER ZINC	2

THE INFORMATION CONTAINED IN THIS DRAWING IS PROTECTED BY COPYRIGHT AND PATENT LAWS OF THE UNITED STATES AND OTHER COUNTRIES. ANY REPRODUCTION IN PART OR AS A WHOLE WITHOUT WRITTEN PERMISSION IS PROHIBITED.

		BARRETTE Outdoor Living	
DRAWN:	J.S.	DATE:	7-19-17
DESCRIPTION:		T-SLOT SNGL CANTILEVER DBL SIDE TRACK HARDWARE KIT	
SHEET 1 OF 1		REVISION	PART NUMBER
SCALE 1:1		0	6111227
WEIGHT:			

ITEM #	PART #	DESCRIPTION	QTY
23	34110578	5/8"-11X1-3/4 BOLT HEX HD ZINC GRADE 5	1
24	34110579	5/8"-11 HEX NUT ZINC	1
25	34110580	5/8" FLAT WASHER ZINC	2



THE INFORMATION CONTAINED IN THIS DRAWING IS PROTECTED BY COPYRIGHT AND PATENT LAWS OF THE UNITED STATES AND OTHER COUNTRIES. ANY REPRODUCTION IN PART OR AS A WHOLE WITHOUT WRITTEN PERMISSION IS PROHIBITED.

		BARRETTE Outdoor Living
DRAWN: J.S.	DATE: 7-19-17	APPROVED:
DESCRIPTION: HARDWARE KIT CANTILEVER GATE STOP		
SHEET 1 OF 1	REVISION	PART NUMBER
SCALE 1:1		61123135
WEIGHT:		