

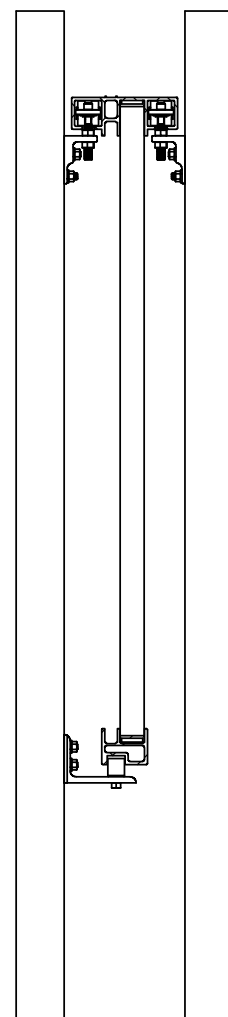
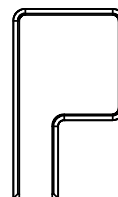
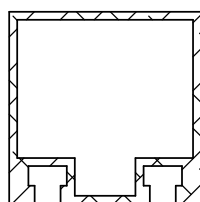
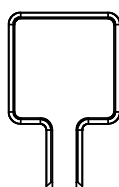


T-SLOT SINGLE CHAINLINK CANTILEVER

DOUBLE TRACK BTM FRAME GUIDE



Installation Kit - Instructions

SKU	COLOR
61123239	BEIGE
61123240	BLACK
61123241	FLORIDA BRONZE
61123242	GREEN
61123243	GRAY
61123244	LIGHT BRONZE
61118970	MATTE BLACK
61123245	MILL
61118971	MATTE BRONZE
61123246	WHITE



ITEM #	PART #				DESCRIPTION	QTY
1	34110607				T-SLOT SINGLE CHAINLINK CANTILEVER DOUBLE TRACK BTM FRAME GUIDE -INSTRUCTIONS	1
2	61111227				T-SLOT SINGLE CANTILEVER DOUBLE SIDE TRACK - HARDWARE KIT	1
3	61123135				HARDWARE KIT CANTILEVER GATE STOP	1
4	61111213	BG	61111218	LB	T-SLOT SIDE TROLLEY BRACKET	4
	61111214	BK	61118426	MB		
	61111215	BZ	61111219	MF		
	61111216	GR	61118427	MZ		
	61111217	GY	61111220	WH		
5	61111189	BG	61111194	LB	T-SLOT BTM GUIDE BRACKET	2
	61111190	BK	61119095	MB		
	61111191	BZ	61111195	MF		
	61111192	GR	61119096	MZ		
	61111193	GY	61111196	WH		
6	73022674				8 WHEEL TROLLEY	4
7	34110163				CHAINLINK RECEIVER SQUARE	1
8	61123151	BG	61123156	LB	CHAINLINK COVER - DOUBLE TRACK	1
	61123152	BK	61119113	MB		
	61123153	BZ	61123157	MF		
	61123154	GR	61119051	MZ		
	61123155	GY	61123158	WH		
9	61123159	BG	61123164	LB	CHAINLINK COVER - BTM GUIDE FRAME	1
	61123160	BK	61119052	MB		
	61123161	BZ	61123165	MF		
	61123162	GR	61119053	MZ		
	61123163	GY	61123166	WH		
10	34110287				1.43" DIA. DERLIN GUIDE WHEEL	2
11	73022816	BG	73026018	GY	SCREW #14X1-1/2 HX HD SDS 410 SS	10
	73022817	BK	73022820	LB		
	73022818	BZ	73022415	MF		
	73022819	GR	73022821	WH		
12	34110341				GREASE 3 OZ.	1

THE INFORMATION CONTAINED IN THIS DRAWING IS PROTECTED BY COPYRIGHT AND PATENT LAWS OF THE UNITED STATES AND OTHER COUNTRIES. ANY REPRODUCTION IN PART OR AS A WHOLE WITHOUT WRITTEN PERMISSION IS PROHIBITED.

		BARRETTE Outdoor Living	
DRAWN: JS	DATE: 09/15/2017	APPROVED:	
DESCRIPTION: T-SLOT SNG CHLINK CNT DBL TRK INSTR			
SHEET 1 OF 13	REVISION:	PART NUMBER	
SCALE:		34110607	
WEIGHT:			

13	61124153	BK	73022455	MF	CHAIN LINK TENSION BAND	TBD*
14	61124154	BK	73022456	MF	BARBED WIRE BRACE BAND	6**
15	34110107				3/8"-16 HEX NUT ZINC	TBD***
16	34110108				3/8"-16X1-1/2" CARRIAGE BOLT ZINC GRADE A307	TBD***
17	34110253				1/2"-13x1 1/2" SQ HD BOLT ZINC GRADE 5	16
18	34110254				1/2"-13x1 3/4" SQ HD BOLT ZINC GRADE 5	8
19	34110251				1/2" SPLIT LOCK WASHER ZINC	24
20	34110252				1/2"-13 HEX NUT ZINC	26
21	34110257				5/8" SHOULDER BOLT 1" LONG STEEL	2
22	34110215				NYLON WASHER .08x1.25x.75 ID	2
23	34110256				3/8"-16x3" CARRIAGE BOLT ZINC GRADE A307	2
24	34110107				3/8"-16 HEX NUT ZINC	2
25	34110281				3/8" WASHER ZINC	2
26	34110578				5/8"-11X1-3/4 BOLT HEX HD ZINC GRADE 5	1
27	34110579				5/8"-11 HEX NUT ZINC	1
28	34110580				5/8" FLAT WASHER ZINC	2
29	34110586				U-BOLT 1/2"-13x4" SQ GALVANIZED	1
30	34110587				1/2"-13 HEX NUT GALVANIZED	2
31	64110588				1/2" WASHER GALVANIZED	2
32	61124157	BK	61124155	MF	BOLT-ON BARB WIRE UPRIGHT	TBD****
33	34110855				SCREW - 5/16-12 X 1-1/2 HWH SDS ZINC	TBD*****

NOTE:

- 1.) ITEM #17 TO #25 IS PART OF 6111227 HARDWARE KIT (SEE SHEET 1 - ITEM 2)
- 2.) ITEM #26 TO #28 IS PART OF 61123135 HARDWARE KIT (SEE SHEET 1 - ITEM 3)
- 3.) FOR MATTE BLACK KITS USE BLACK SCREWS
- 4.) FOR MATTE BRONZE KITS USE LIGHT BRONZE SCREWS

* - QUANTITY DETERMINED BY GATE HEIGHT - SEE TABLE BELOW

** - ONLY IF BARBED WIRE BRACE BAND REQUIRED



*** - SAME NUMBER AS CHAIN LINK TENSION BAND
+ 6 (IF BARBED WIRE BRACE BAND REQUIRED)

**** - QUANTITY DETERMINED BY NUMBER OF UPRIGHTS IN THE GATE OPENING

***** - NUMBER OF ITEMS FROM ROW 32 MULTIPLIED BY 2

GATE HEIGHT (FT)	NUMBER OF TENSION BANDS
4	6
5	8
6	10
8	14

THE INFORMATION CONTAINED IN THIS DRAWING IS PROTECTED BY COPYRIGHT AND PATENT LAWS OF THE UNITED STATES AND OTHER COUNTRIES. ANY REPRODUCTION IN PART OR AS A WHOLE WITHOUT WRITTEN PERMISSION IS PROHIBITED.

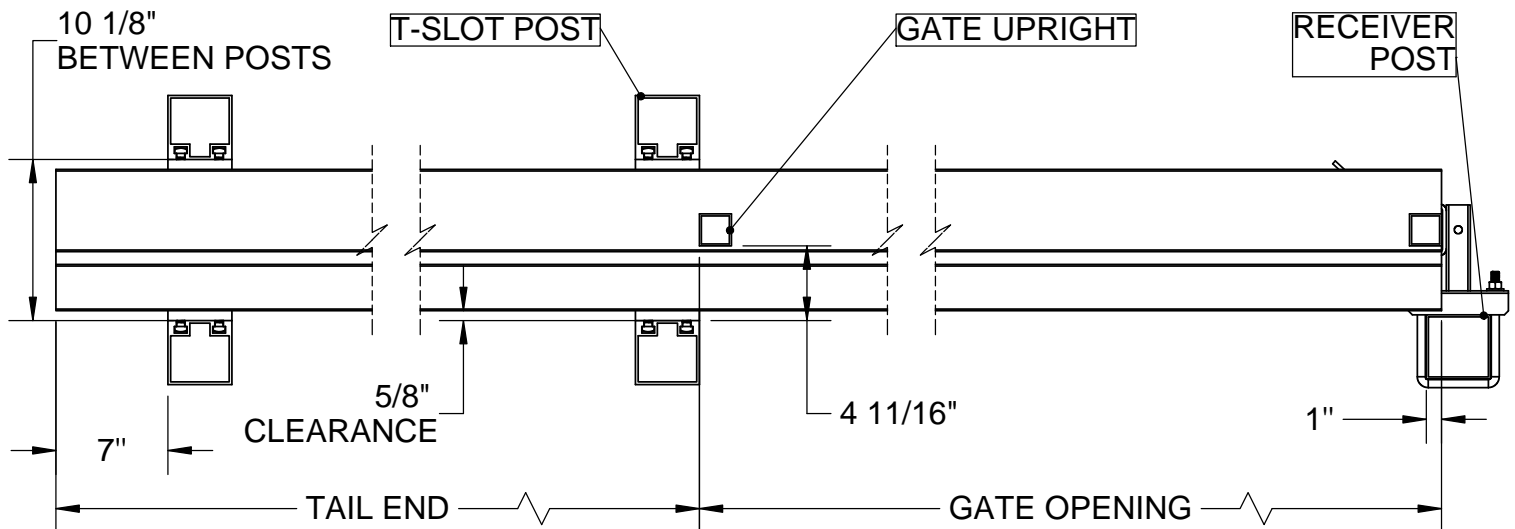
		BARRETTE Outdoor Living	
DRAWN: JS	DATE: 09/15/2017	APPROVED:	
DESCRIPTION: T-SLOT SNG CHLINK CNT DBL TRK INSTR			
SHEET 2 OF 13	REVISION:	PART NUMBER	
SCALE:		34110607	
WEIGHT:			

INSTALLATION PROCEDURE:

- 1.SET T-SLOT POSTS IN THE GROUND - SEE POST LOCATION BELOW.
- 2.INSTALL BTM BRACKET (ITEM #5) AND GUIDE WHEEL (ITEM #10) - SEE SHEET 4
- 3.INSTALL TOP BRACKET (ITEM #4) AND WHEEL TROLLEY (ITEM #6) - SEE SHEET 5
- 4.PLACE GATE IN THE POSITION - SLIDE GATE TOP TRACK INTO WHEEL TROLLEY (ITEM #6) AND BTM ROLLER GUIDE FRAME ON GUIDE WHEEL (ITEM #10) - SEE SHEET 6
- 5.INSTALL CHAINLINK RECEIVER SQUARE (ITEM #7) - SEE SHEET 7
- 6.INSTALL GATE STOP (BOLT-ITEM #26,NUT- ITEM #27,WASHERS-ITEM # 28) ON THE END OF THE TRACK - SEE SHEET 8 (**ONE GATE STOP REQUIRED ONLY - PER LEAF**)
- 7.INSTALL COVER-TOP TRACK (ITEM #8) ON THE END OF THE TOP TRACK - SEE SHEET 9
- 8.INSTALL COVER-BTM FRAME (ITEM #9) ON THE END OF THE BTM FRAME - SEE SHEET 10
- 9.INSTALL TENSION BANDS (ITEM #13) ON THE UPRIGHT - SEE SHEET 11 (IF REQUIRED)
- 10.INSTALL BARBED WIRE TENSION UPRIGHTS (ITEM #32) ON TOP TRACK. UPRIGHTS NEEDS TO BE WELDED (BY MANUFACTURER) OR BOLTED (BY CUSTOMER) - SEE SHEET 12 (IF REQUIRED)
- 11.INSTALL BARBED WIRE TENSION BANDS (ITEM #14) ON THE UPRIGHT - SEE SHEET 13 (IF REQUIRED)

NOTE:

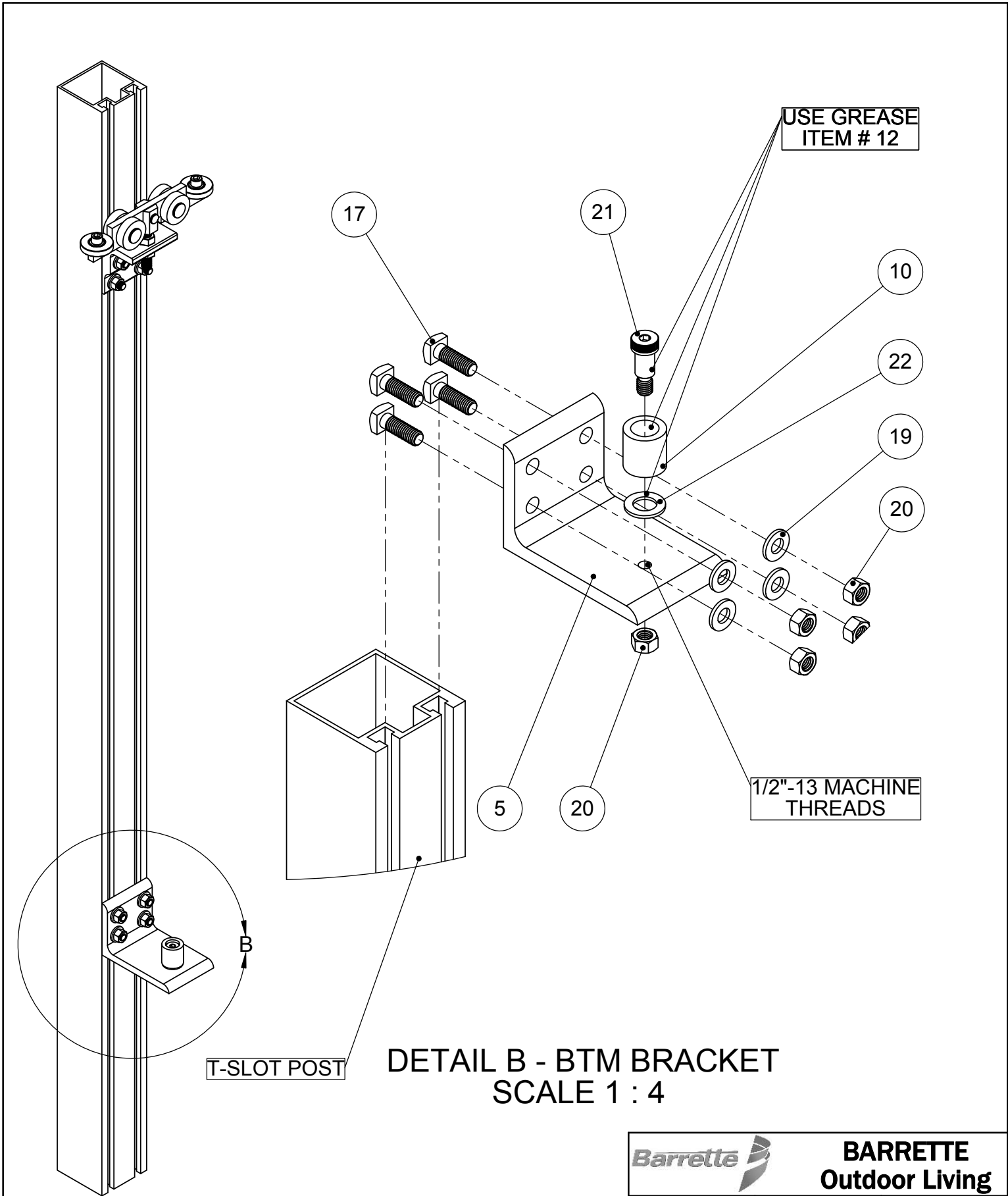
- **APPLY GREASE (ITEM #12) ON THE SHOULDER BOLTS (ITEM #21), INSIDE GUIDE WHEELS (ITEM # 10) AND TOP OF NYLON WASHER (ITEM #22). MAINTAIN GREASE EVERY 4 TO 6 MONTHS.**



**POST LOCATION DETAIL
SCALE 1:12**

Barrette		BARRETTE Outdoor Living	
DRAWN: JS	DATE: 09/15/2017	APPROVED:	
DESCRIPTION: T-SLOT SNG CHLINK CNT DBL TRK INSTR			
SHEET 3 OF 13	REVISION	PART NUMBER	
SCALE 1:12	0	34110607	
WEIGHT:			

THE INFORMATION CONTAINED IN THIS DRAWING IS PROTECTED BY COPYRIGHT AND PATENT LAWS OF THE UNITED STATES AND OTHER COUNTRIES. ANY REPRODUCTION IN PART OR AS A WHOLE WITHOUT WRITTEN PERMISSION IS PROHIBITED.

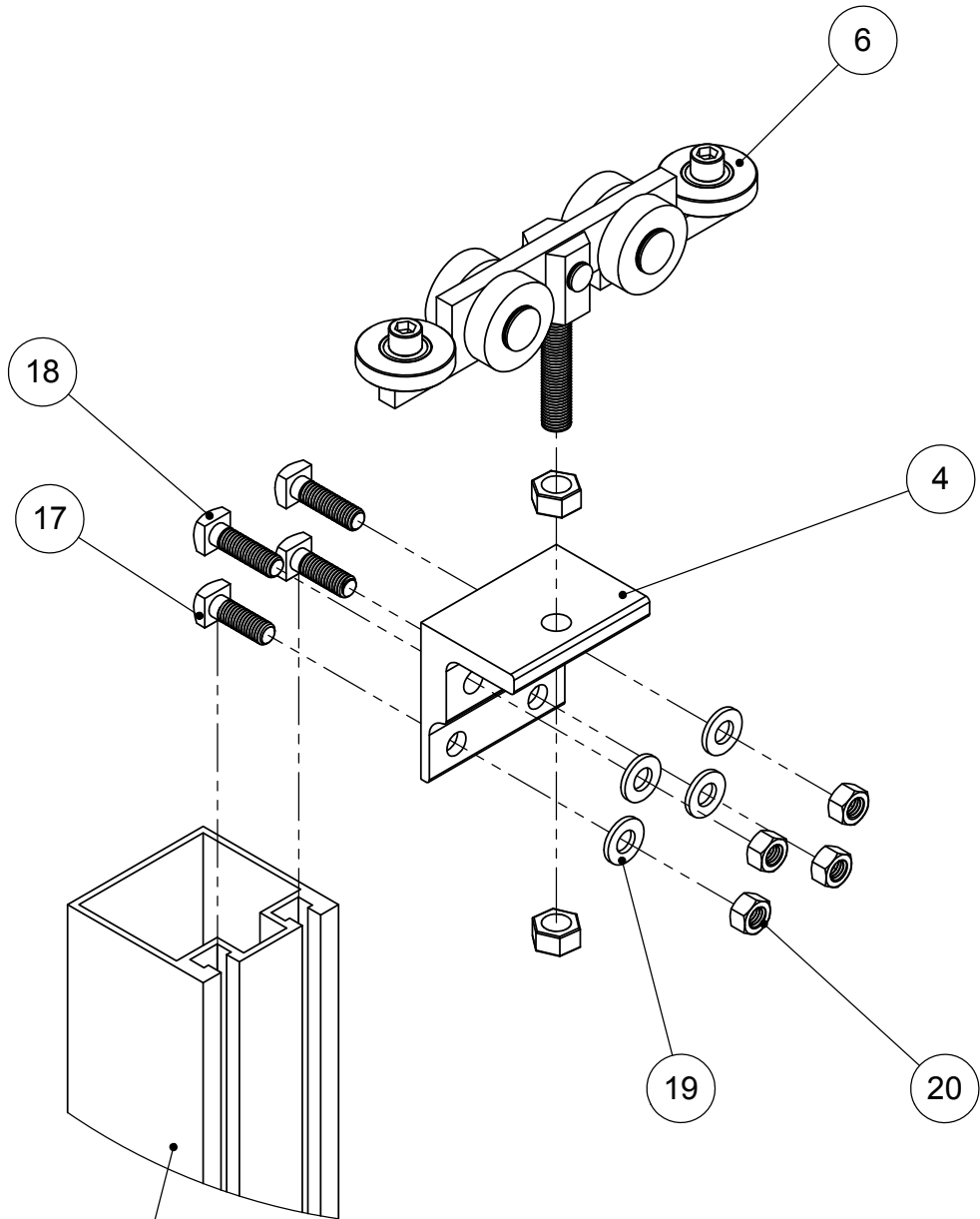
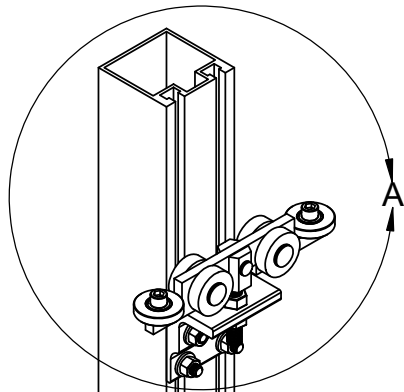


T-SLOT POST

DETAIL B - BTM BRACKET
SCALE 1 : 4

THE INFORMATION CONTAINED IN THIS DRAWING IS PROTECTED BY COPYRIGHT AND PATENT LAWS OF THE UNITED STATES AND OTHER COUNTRIES. ANY REPRODUCTION IN PART OR AS A WHOLE WITHOUT WRITTEN PERMISSION IS PROHIBITED.

Barrette		BARRETTE Outdoor Living	
DRAWN: JS	DATE: 09/15/2017	APPROVED:	
DESCRIPTION: T-SLOT SNG CHLINK CNT DBL TRK INSTR			
SHEET 4 OF 13	REVISION	PART NUMBER	
SCALE 1:4	0	34110607	
WEIGHT:			

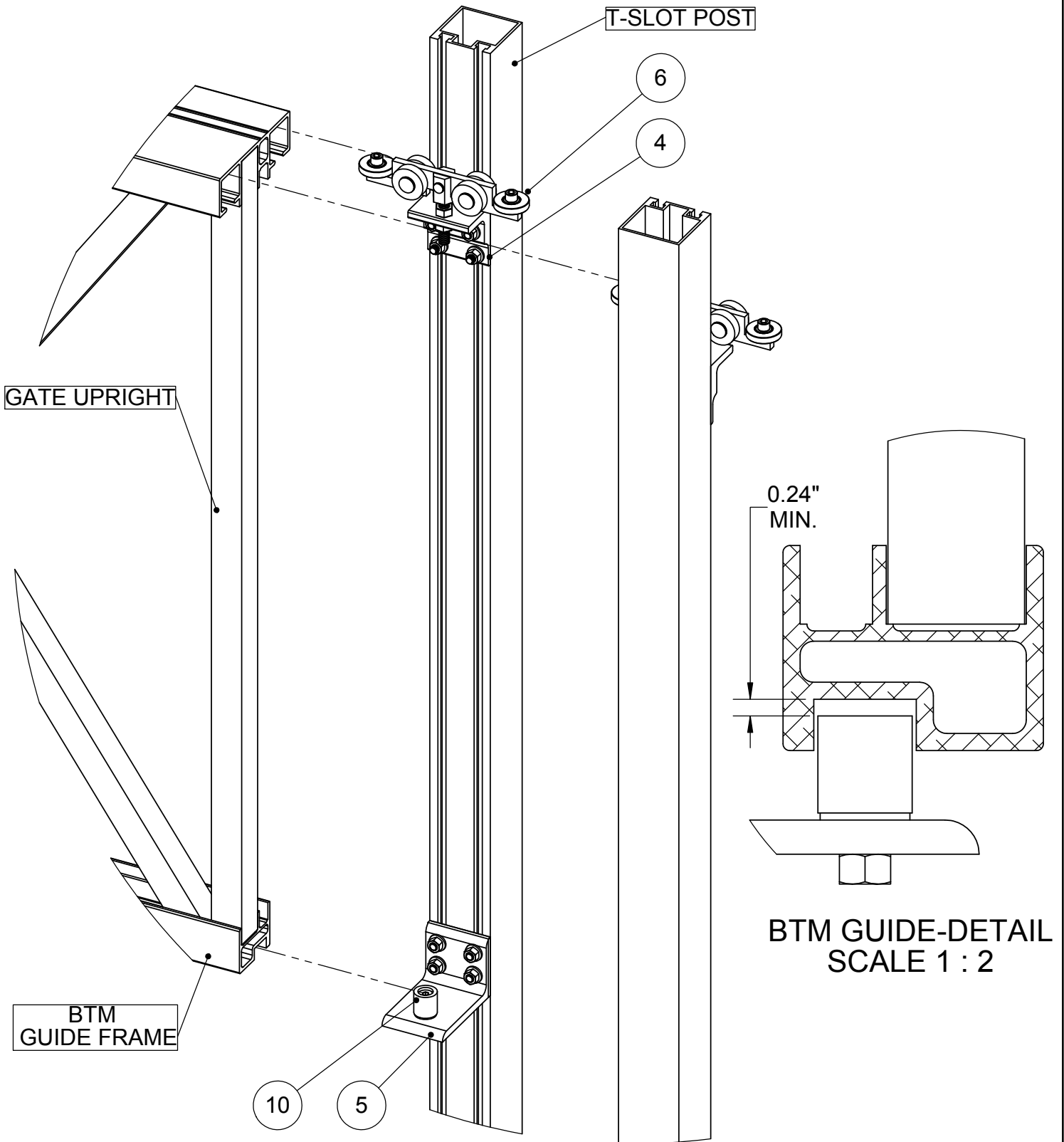


T-SLOT POST

DETAIL A - TOP BRACKET
SCALE 1 : 4

THE INFORMATION CONTAINED IN THIS DRAWING IS PROTECTED BY COPYRIGHT AND PATENT LAWS OF THE UNITED STATES AND OTHER COUNTRIES. ANY REPRODUCTION IN PART OR AS A WHOLE WITHOUT WRITTEN PERMISSION IS PROHIBITED.

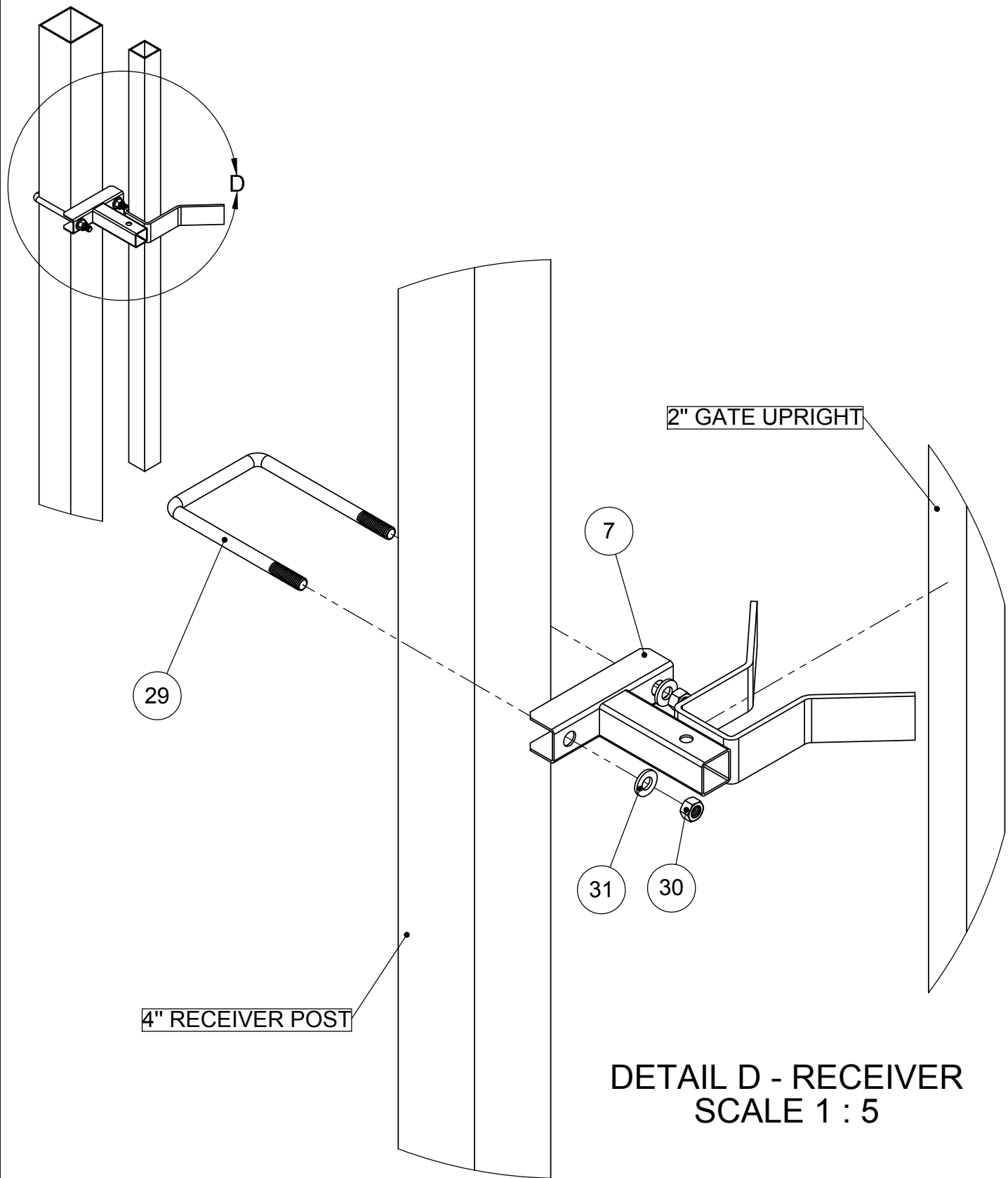
Barrette		BARRETTE Outdoor Living	
DRAWN: JS	DATE: 09/15/2017	APPROVED:	
DESCRIPTION: T-SLOT SNG CHLINK CNT DBL TRK INSTR			
SHEET 5 OF 13	REVISION	PART NUMBER	
SCALE 1:4	0	34110607	
WEIGHT:			



DETAIL C - GATE POSITIONING
SCALE 1 : 8

THE INFORMATION CONTAINED IN THIS DRAWING IS PROTECTED BY COPYRIGHT AND PATENT LAWS OF THE UNITED STATES AND OTHER COUNTRIES. ANY REPRODUCTION IN PART OR AS A WHOLE WITHOUT WRITTEN PERMISSION IS PROHIBITED.

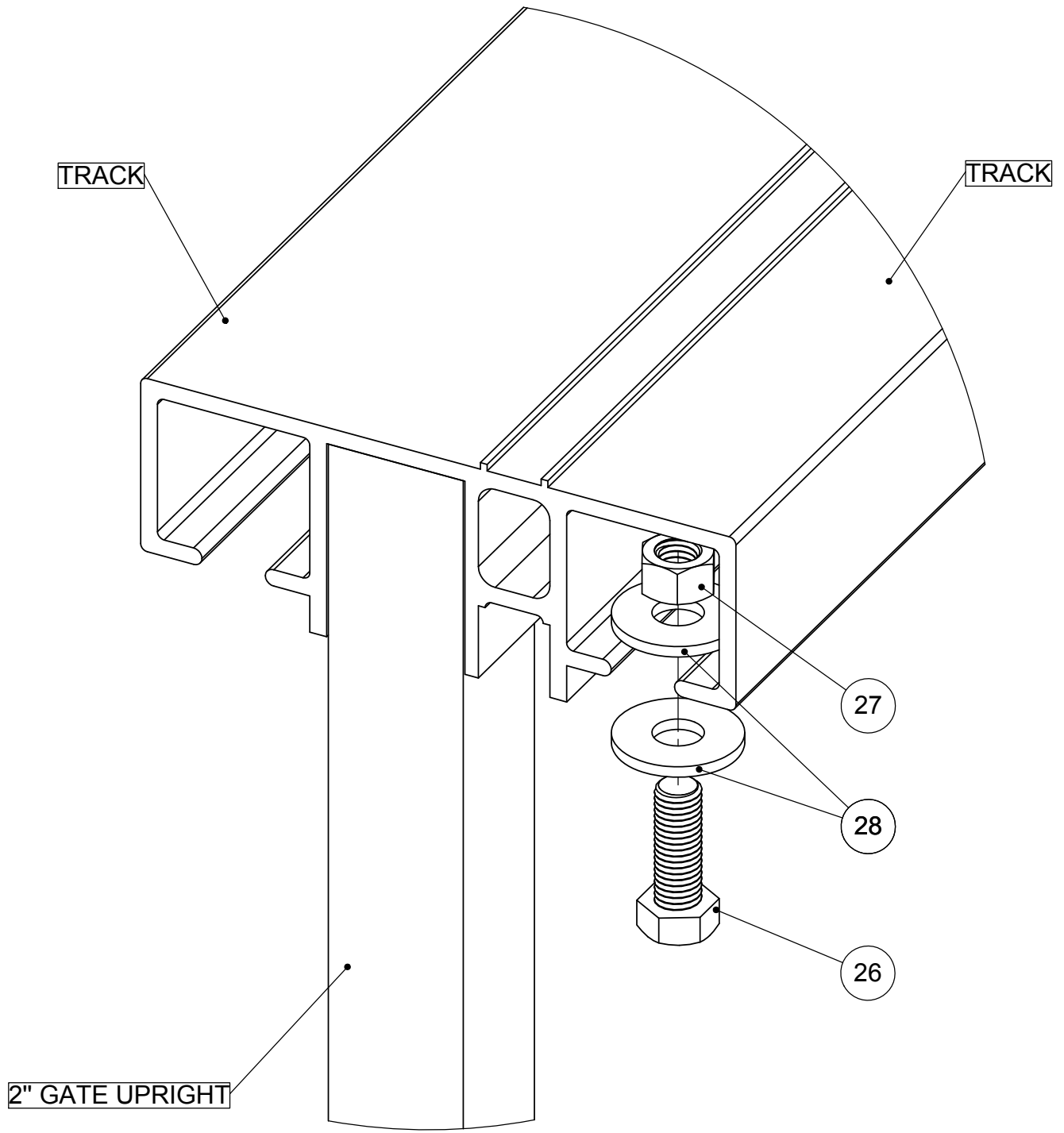
Barrette		BARRETTE	
		Outdoor Living	
DRAWN: JS	DATE: 09/15/2017	APPROVED:	
DESCRIPTION: T-SLOT SNG CHLINK CNT DBL TRK INSTR			
SHEET 6 OF 13	REVISION	PART NUMBER	
SCALE 1:8	0	34110607	
WEIGHT:			



DETAIL D - RECEIVER
SCALE 1 : 5

THE INFORMATION CONTAINED IN THIS DRAWING IS PROTECTED BY COPYRIGHT AND PATENT LAWS OF THE UNITED STATES AND OTHER COUNTRIES. ANY REPRODUCTION IN PART OR AS A WHOLE WITHOUT WRITTEN PERMISSION IS PROHIBITED.

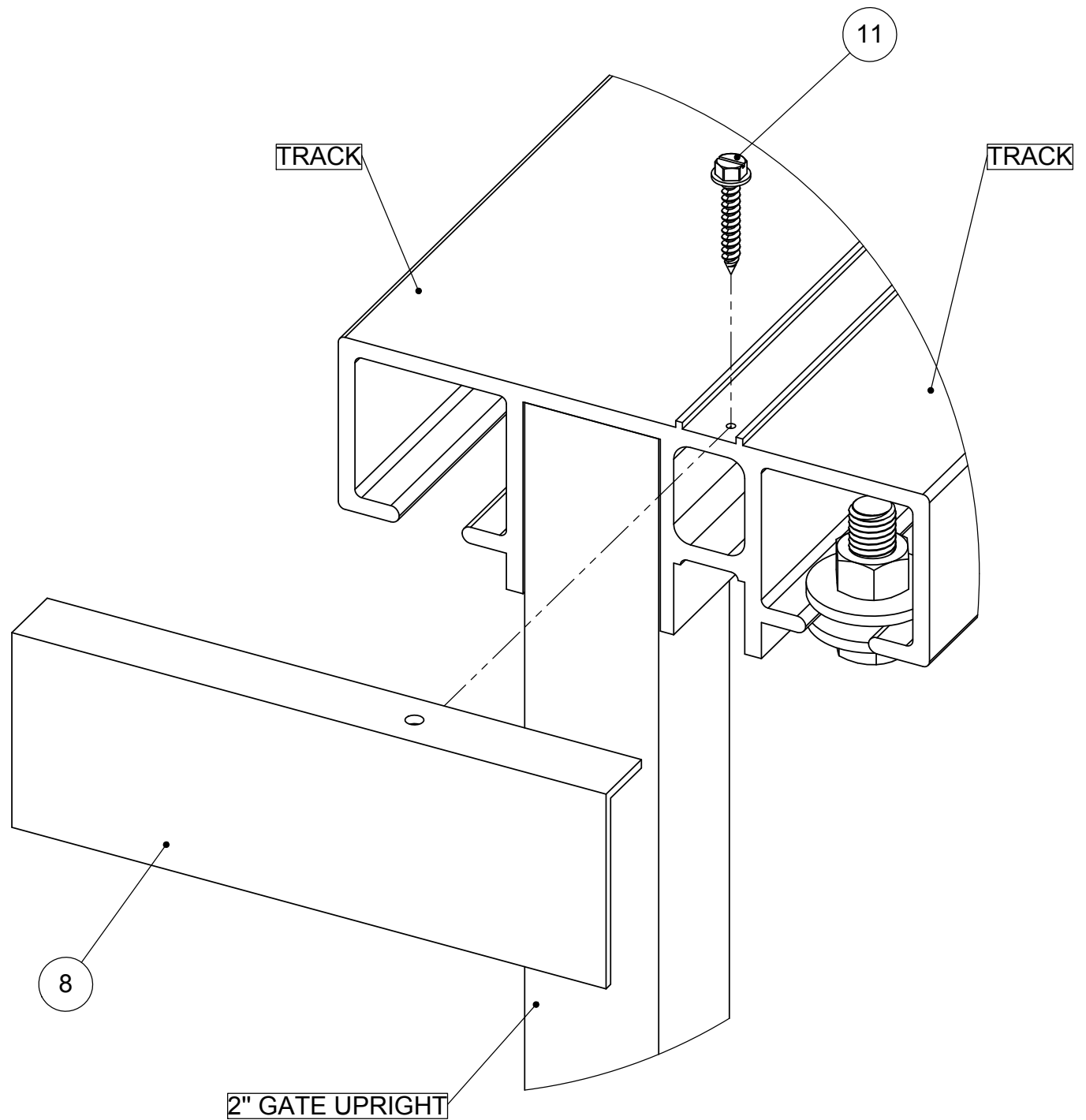
Barrette		BARRETTE Outdoor Living	
DRAWN: JS	DATE: 09/15/2017	APPROVED:	
DESCRIPTION: T-SLOT SNG CHLINK CNT DBL TRK INSTR			
SHEET 7 OF 13	REVISION	PART NUMBER	
SCALE 1:5	0	34110607	
WEIGHT:			



DETAIL E - GATE STOP
SCALE 1 : 2

THE INFORMATION CONTAINED IN THIS DRAWING IS PROTECTED BY COPYRIGHT AND PATENT LAWS OF THE UNITED STATES AND OTHER COUNTRIES. ANY REPRODUCTION IN PART OR AS A WHOLE WITHOUT WRITTEN PERMISSION IS PROHIBITED.

Barrette		BARRETTE Outdoor Living	
DRAWN: JS	DATE: 09/15/2017	APPROVED:	
DESCRIPTION: T-SLOT SNG CHLINK CNT DBL TRK INSTR			
SHEET 8 OF 13	REVISION	PART NUMBER	
SCALE 1:2	0	34110607	
WEIGHT:			



DETAIL F - END COVER-DOUBLE TRACK
SCALE 1 : 2

THE INFORMATION CONTAINED IN THIS DRAWING IS PROTECTED BY COPYRIGHT AND PATENT LAWS OF THE UNITED STATES AND OTHER COUNTRIES. ANY REPRODUCTION IN PART OR AS A WHOLE WITHOUT WRITTEN PERMISSION IS PROHIBITED.

Barrette		BARRETTE Outdoor Living	
DRAWN: JS	DATE: 09/15/2017	APPROVED:	
DESCRIPTION: T-SLOT SNG CHLINK CNT DBL TRK INSTR			
SHEET 9 OF 13	REVISION	PART NUMBER	
SCALE 1:2	0	34110607	
WEIGHT:			

2" GATE UPRIGHT

BTM GUIDE FRAME

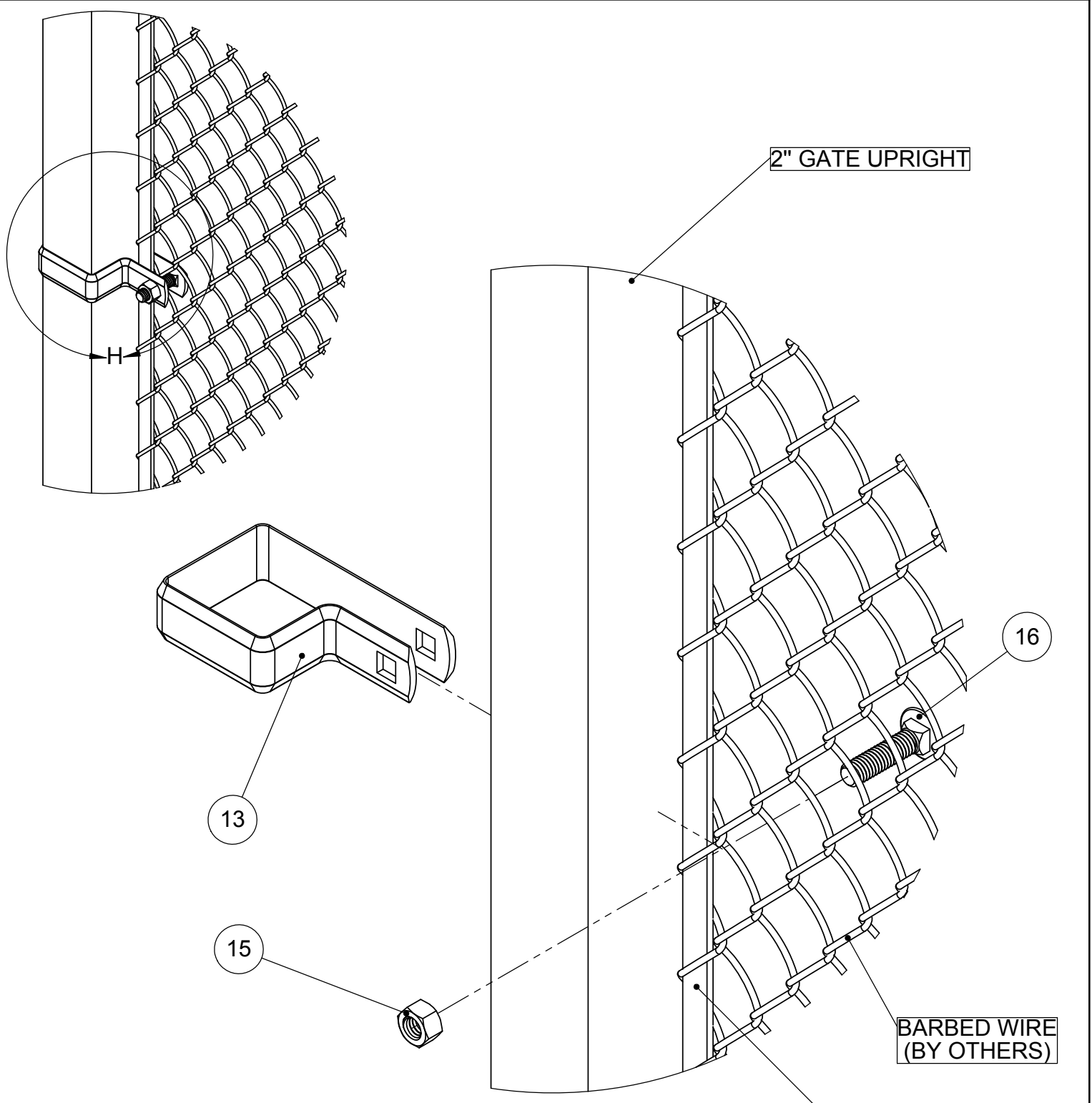
11

9

DETAIL G - END COVER-BTM GUIDE FRAME
SCALE 1 : 2

THE INFORMATION CONTAINED IN THIS DRAWING IS PROTECTED BY COPYRIGHT AND PATENT LAWS OF THE UNITED STATES AND OTHER COUNTRIES. ANY REPRODUCTION IN PART OR AS A WHOLE WITHOUT WRITTEN PERMISSION IS PROHIBITED.

Barrette		BARRETTE Outdoor Living	
DRAWN: JS	DATE: 09/15/2017	APPROVED:	
DESCRIPTION: T-SLOT SNG CHLINK CNT DBL TRK INSTR			
SHEET 10 OF 13	REVISION	PART NUMBER	
SCALE 1:2	0	34110607	
WEIGHT:			



DETAIL H - TENSION BAND
SCALE 1 : 2

THE INFORMATION CONTAINED IN THIS DRAWING IS PROTECTED BY COPYRIGHT AND PATENT LAWS OF THE UNITED STATES AND OTHER COUNTRIES. ANY REPRODUCTION IN PART OR AS A WHOLE WITHOUT WRITTEN PERMISSION IS PROHIBITED.

Barrette		BARRETTE Outdoor Living	
DRAWN: JS	DATE: 09/15/2017	APPROVED:	
DESCRIPTION: T-SLOT SNG CHLINK CNT DBL TRK INSTR			
SHEET 11 OF 13	REVISION: 0	PART NUMBER: 34110607	
SCALE 1:2			
WEIGHT:			

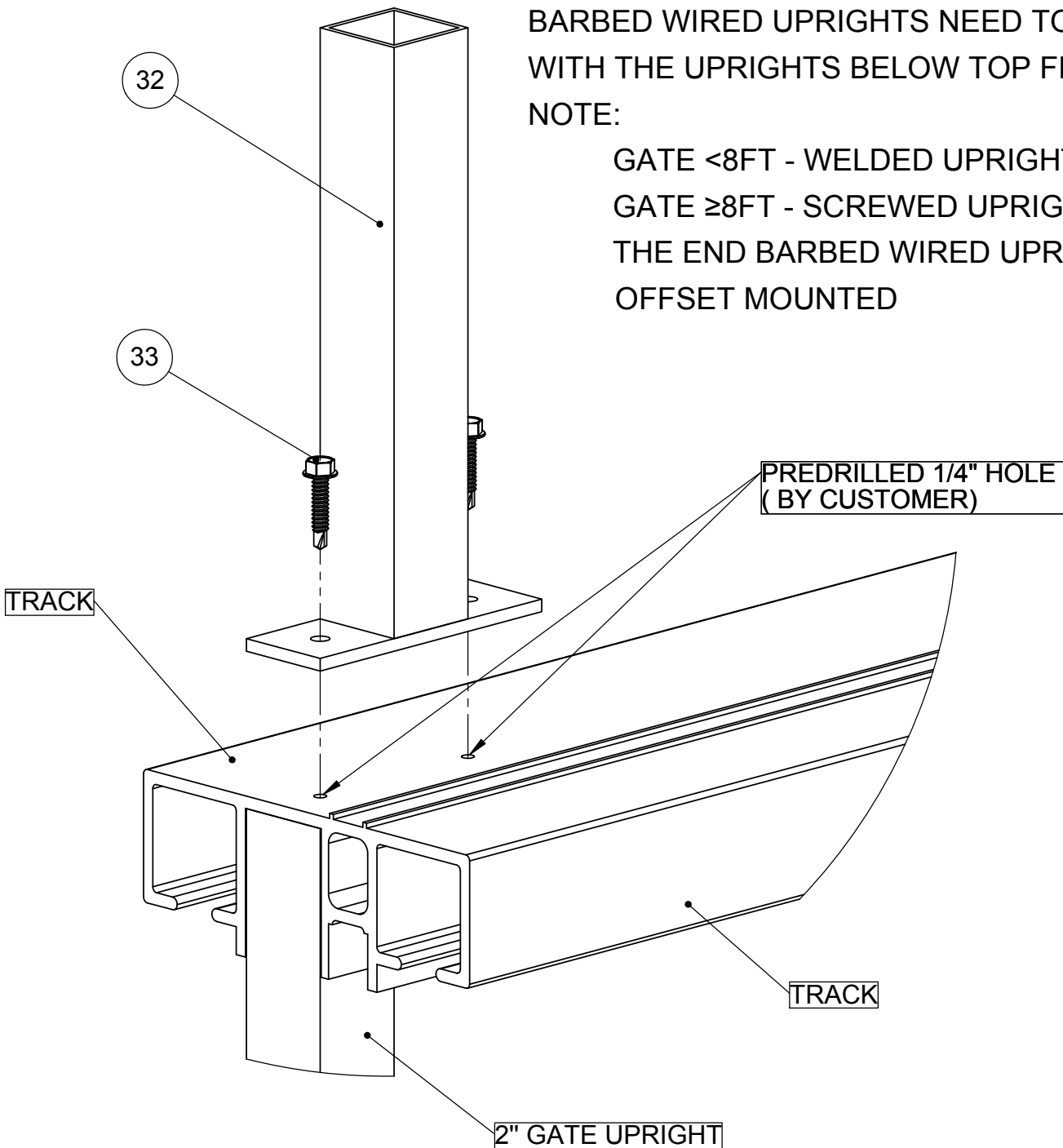
BARBED WIRED UPRIGHTS NEED TO ALIGN WITH THE UPRIGHTS BELOW TOP FRAME.

NOTE:

GATE <8FT - WELDED UPRIGHT

GATE ≥8FT - SCREWED UPRIGHT

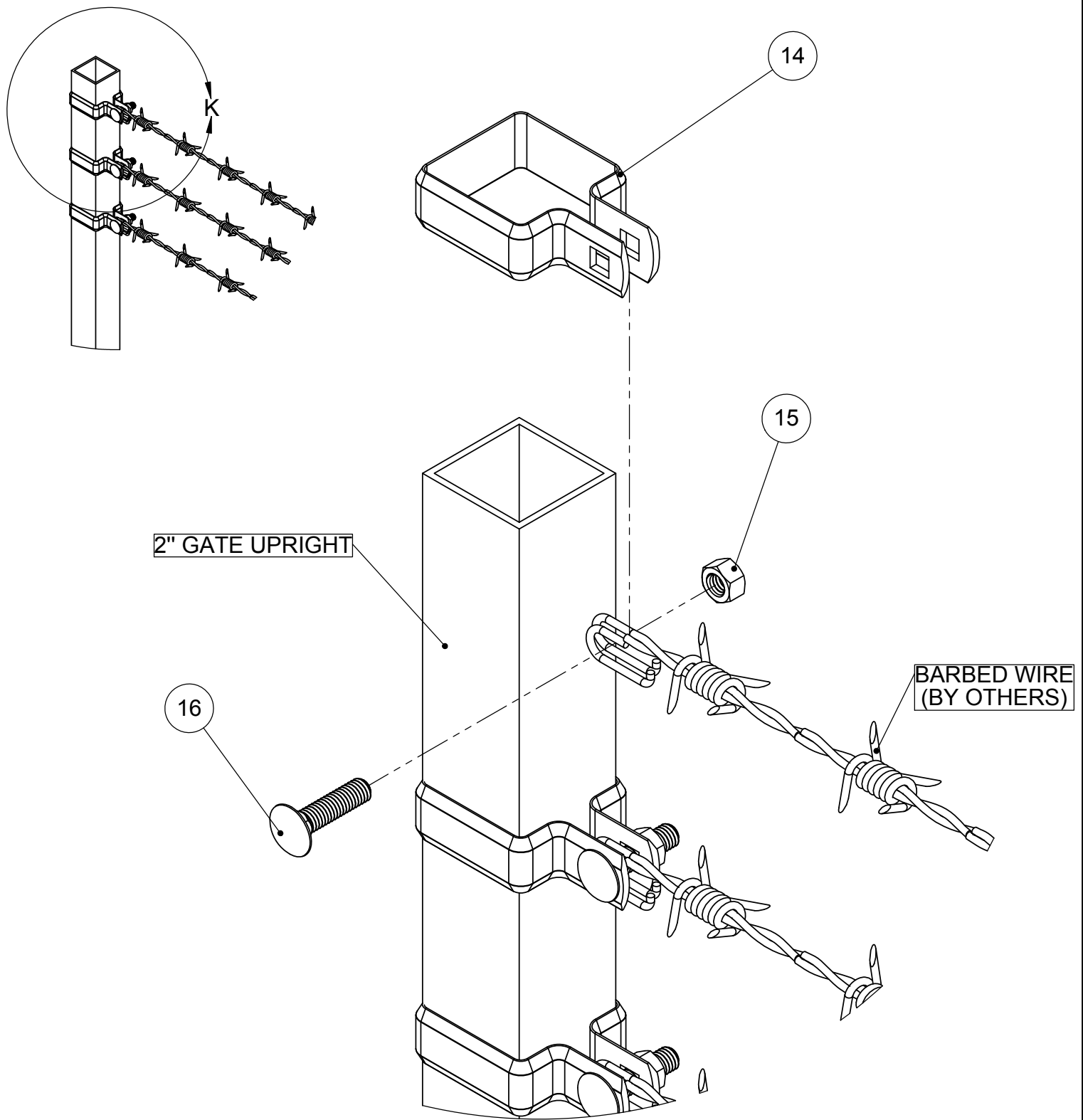
THE END BARBED WIRED UPRIGHT IS OFFSET MOUNTED



DETAIL J - BARBED WIRE UPRIGHT
SCALE 1 : 3

THE INFORMATION CONTAINED IN THIS DRAWING IS PROTECTED BY COPYRIGHT AND PATENT LAWS OF THE UNITED STATES AND OTHER COUNTRIES. ANY REPRODUCTION IN PART OR AS A WHOLE WITHOUT WRITTEN PERMISSION IS PROHIBITED.

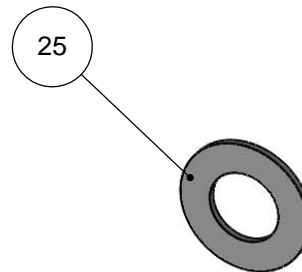
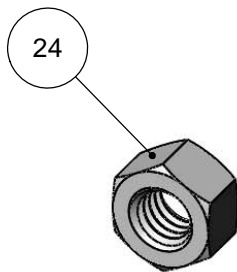
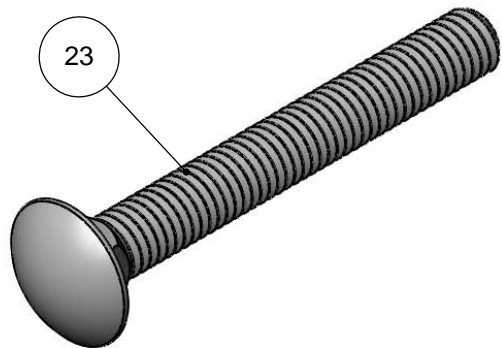
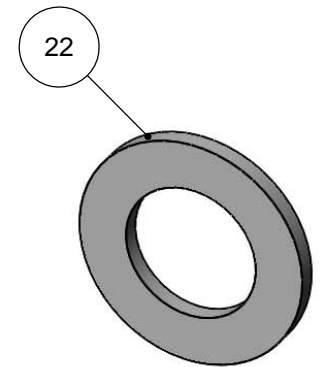
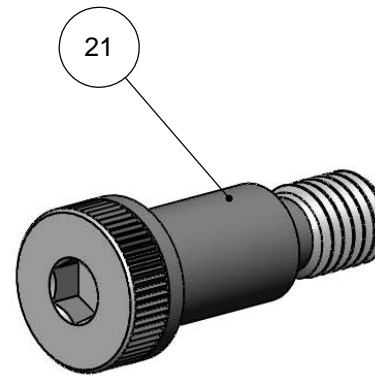
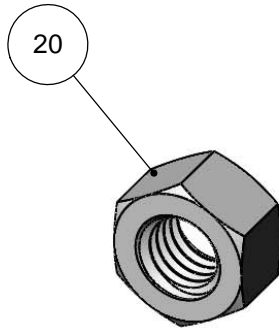
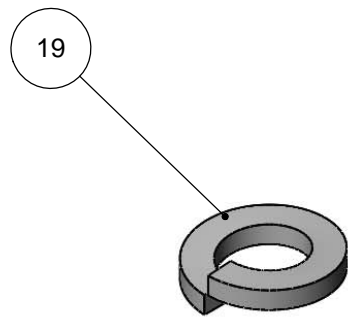
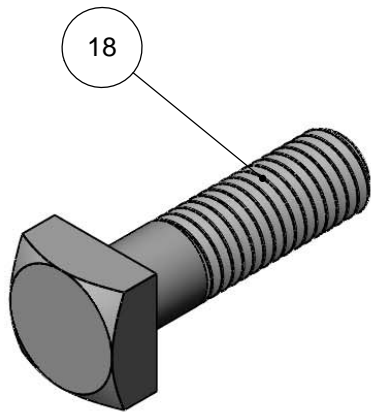
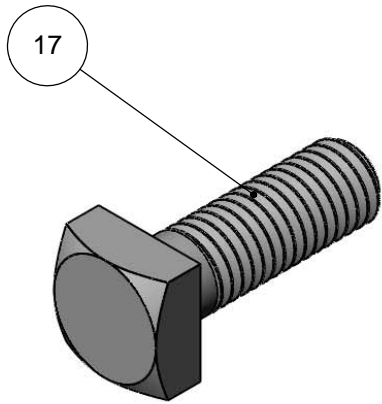
Barrette		BARRETTE Outdoor Living	
DRAWN: JS	DATE: 09/15/2017	APPROVED:	
DESCRIPTION: T-SLOT SNG CHLINK CNT DBL TRK INSTR			
SHEET 12 OF 13	REVISION	PART NUMBER	
SCALE 1:3	0	34110607	
WEIGHT:			



DETAIL K - BARBED WIRE BRACE BAND
SCALE 1 : 2

THE INFORMATION CONTAINED IN THIS DRAWING IS PROTECTED BY COPYRIGHT AND PATENT LAWS OF THE UNITED STATES AND OTHER COUNTRIES. ANY REPRODUCTION IN PART OR AS A WHOLE WITHOUT WRITTEN PERMISSION IS PROHIBITED.

Barrette		BARRETTE Outdoor Living	
DRAWN: JS	DATE: 09/15/2017	APPROVED:	
DESCRIPTION: T-SLOT SNG CHLINK CNT DBL TRK INSTR			
SHEET 13 OF 13	REVISION	PART NUMBER	
SCALE 1:2	0	34110607	
WEIGHT:			

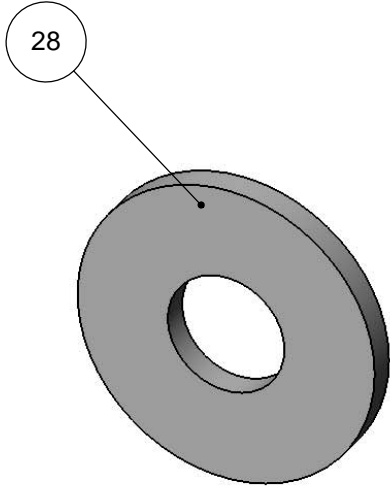
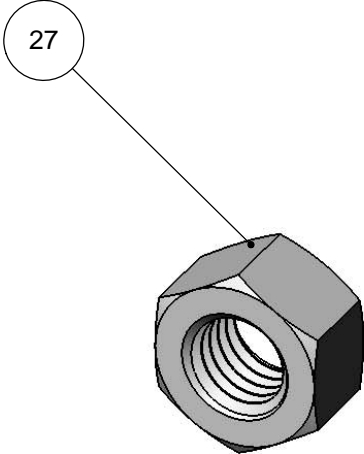
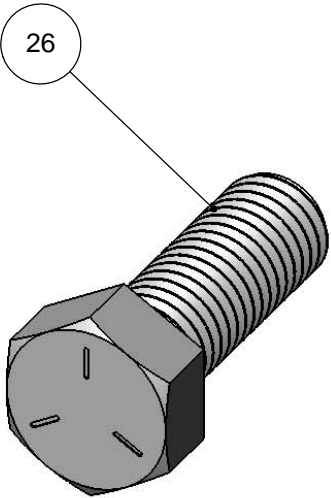


ITEM #	PART #	DESCRIPTION	QTY
17	34110253	1/2"-13x1 1/2" SQ HD BOLT ZINC GRADE 5	16
18	34110254	1/2"-13x1 3/4" SQ HD BOLT ZINC GRADE 5	8
19	34110251	1/2" SPLIT LOCK WASHER ZINC	24
20	34110252	1/2"-13 HEX NUT ZINC	26
21	34110257	5/8" SHOULDER BOLT 1" LONG STEEL	2
22	34110215	NYLON WASHER .08x1.25x.75 ID	2
23	34110256	3/8"-16x3" CARRIAGE BOLT ZINC GRADE A307	2
24	34110107	3/8"-16 HEX NUT ZINC	2
25	34110281	3/8" WASHER ZINC	2

THE INFORMATION CONTAINED IN THIS DRAWING IS PROTECTED BY COPYRIGHT AND PATENT LAWS OF THE UNITED STATES AND OTHER COUNTRIES. ANY REPRODUCTION IN PART OR AS A WHOLE WITHOUT WRITTEN PERMISSION IS PROHIBITED.

		BARRETTE Outdoor Living	
DRAWN:	JS	DATE:	08/25/2017
DESCRIPTION:		APPROVED:	
T-SLOT SNGL CANTILEVER DBL SIDE TRACK HARDWARE KIT			
SHEET 1 OF 1		REVISION	PART NUMBER
SCALE 1:1		0	61111227
WEIGHT:			

ITEM #	PART #	DESCRIPTION	QTY
26	34110578	5/8"-11X1-3/4 BOLT HEX HD ZINC GRADE 5	1
27	34110579	5/8"-11 HEX NUT ZINC	1
28	34110580	5/8" FLAT WASHER ZINC	2



THE INFORMATION CONTAINED IN THIS DRAWING IS PROTECTED BY COPYRIGHT AND PATENT LAWS OF THE UNITED STATES AND OTHER COUNTRIES. ANY REPRODUCTION IN PART OR AS A WHOLE WITHOUT WRITTEN PERMISSION IS PROHIBITED.

		BARRETTE Outdoor Living	
DRAWN: JS	DATE: 08/25/2017	APPROVED:	
DESCRIPTION: HARDWARE KIT CANTILEVER GATE STOP			
SHEET 1 OF 1	REVISION	PART NUMBER	
SCALE 1:1		61123135	
WEIGHT:			