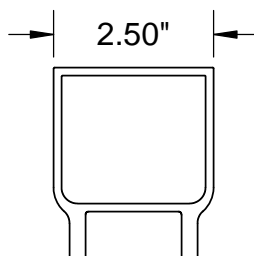
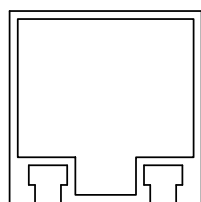
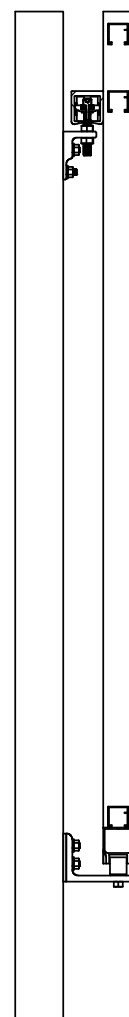


# T-SLOT SINGLE CANTILEVER

## SINGLE SIDE TRACK W/ 2.5" FRAME

### Installation Kit - Instructions

SKU	COLOR
61123599	BEIGE
61123600	BLACK
61123601	FLORIDA BRONZE
61123602	GREEN
61123603	GRAY
61123604	LIGHT BRONZE
61118960	MATTE BLACK
61123605	MILL
61118961	MATTE BRONZE
61123606	WHITE



ITEM #	PART #				DESCRIPTION	QTY
1	34110642				T-SLOT SNGL CANTILEVER SNGL SIDE TRACK W/2.5" FRAME - INSTRUCTIONS	1
2	61123571				T-SLOT SNGL CANTILEVER SNGL SIDE TRACK W/2.5" FRAME - HARDWARE KIT	1
3	61123135				HARDWARE KIT CANTILEVER GATE STOP	1
4	61111213	BG	61111218	LB	T-SLOT SIDE TROLLEY BRACKET	2
	61111214	BK	61118426	MB		
	61111215	BZ	61111219	MF		
	61111216	GR	61118427	MZ		
	61111217	GY	61111220	WH		
5	61111189	BG	61111194	LB	T-SLOT BTM GUIDE BRACKET	2
	61111190	BK	61119095	MB		
	61111191	BZ	61111195	MF		
	61111192	GR	61119096	MZ		
	61111193	GY	61111196	WH		
6	61123575	BG	61123580	LB	T-SLOT BTM GUIDE BRACKET-SPACER PLATE	2
	61123576	BK	61119054	MB		
	61123577	BZ	61123581	MF		
	61123578	GR	61119055	MZ		
	61123579	GY	61123582	WH		
7	34110853				TROLLEY WHEEL TA-100	2
8	61111181	BG	61111186	LB	T-SLOT RECEIVER POST 4"	1
	61111182	BK	61118428	MB		
	61111183	BZ	61111187	MF		
	61111184	GR	61118429	MZ		
	61111185	GY	61111188	WH		
9	61123583	BG	61123588	LB	T-SLOT RECEIVER GATE 2.5" FRAME	1
	61123584	BK	61118432	MB		
	61123585	BZ	61123589	MF		
	61123586	GR	61118433	MZ		
	61123587	GY	61123590	WH		
10	73022729	BG	61111036	LB	COVER CANTILEVER GATE TRACK	1
	73022730	BK	61119087	MB		
	73022731	BZ	61111037	MF		
	73022732	GR	61119088	MZ		
	61111035	GY	73022733	WH		
11	34110287				1.43" DIA. DERLIN GUIDE WHEEL	2

THE INFORMATION CONTAINED IN THIS DRAWING IS PROTECTED BY COPYRIGHT AND PATENT LAWS OF THE UNITED STATES AND OTHER COUNTRIES. ANY REPRODUCTION IN PART OR AS A WHOLE WITHOUT WRITTEN PERMISSION IS PROHIBITED.



		<b>BARRETTE Outdoor Living</b>	
DRAWN: JH	DATE: 11/03/2017	APPROVED:	
DESCRIPTION <b>T-SLOT SNGL CANTILEVER SNGL SIDE TRACK W/2.5" FRAME INSTRUCTIONS</b>			
SHEET 1 OF 9		REVISION	PART NUMBER
SCALE:			<b>34110642</b>
WEIGHT:			

ITEM #	PART #				DESCRIPTION	QTY
12	73022816	BG	73026018	GY	SCREW #14x1-1/2" HX HD SDS 410 SS	10
	73022817	BK	73022820	LB		
	73022818	BZ	73022415	MF		
	73022819	GR	73022821	WH		
13	73022648	BG	73022652	GY	SCREW #10x1" HX HD SDS 410 SS	4
	73022649	BK	73022653	LB		
	73022650	BZ	73022337	MF		
	73022651	GR	73022655	WH		
14	34110341				GREASE 3 OZ.	1
15	34110253				1/2"-13x1 1/2" SQ HD BOLT ZINC GRADE 5	4
16	34110254				1/2"-13x1 3/4" SQ HD BOLT ZINC GRADE 5	12
17	34110251				1/2" SPLIT LOCK WASHER ZINC	16
18	34110252				1/2"-13 HEX NUT ZINC	18
19	34110257				5/8" SHOULDER BOLT 1" LONG STEEL	2
20	34110215				NYLON WASHER .08x1.25x.75 ID	2
21	34110614				3/8"-16x3.5" CARRIAGE BOLT ZINC GRADE A307	2
22	34110107				3/8"-16 HEX NUT ZINC	2
23	34110281				3/8" WASHER ZINC	2
24	34110578				5/8"-11X1-3/4 BOLT HEX HD ZINC GRADE 5	1
25	34110579				5/8"-11 HEX NUT ZINC	1
26	34110580				5/8" FLAT WASHER ZINC	2

**NOTE:**

- 1.) ITEM #15 TO #23 IS PART OF 61123571 HARDWARE KIT (SEE SHEET 1-ITEM 2)
- 2.) ITEM #24 TO #26 IS PART OF 61123135 HARDWARE KIT (SEE SHEET 1-ITEM 3)
- 3.) FOR MATTE BLACK KITS USE BLACK SCREWS
- 4.) FOR MATTE BRONZE KITS USE LIGHT BRONZE SCREWS

THE INFORMATION CONTAINED IN THIS DRAWING IS PROTECTED BY COPYRIGHT AND PATENT LAWS OF THE UNITED STATES AND OTHER COUNTRIES. ANY REPRODUCTION IN PART OR AS A WHOLE WITHOUT WRITTEN PERMISSION IS PROHIBITED.

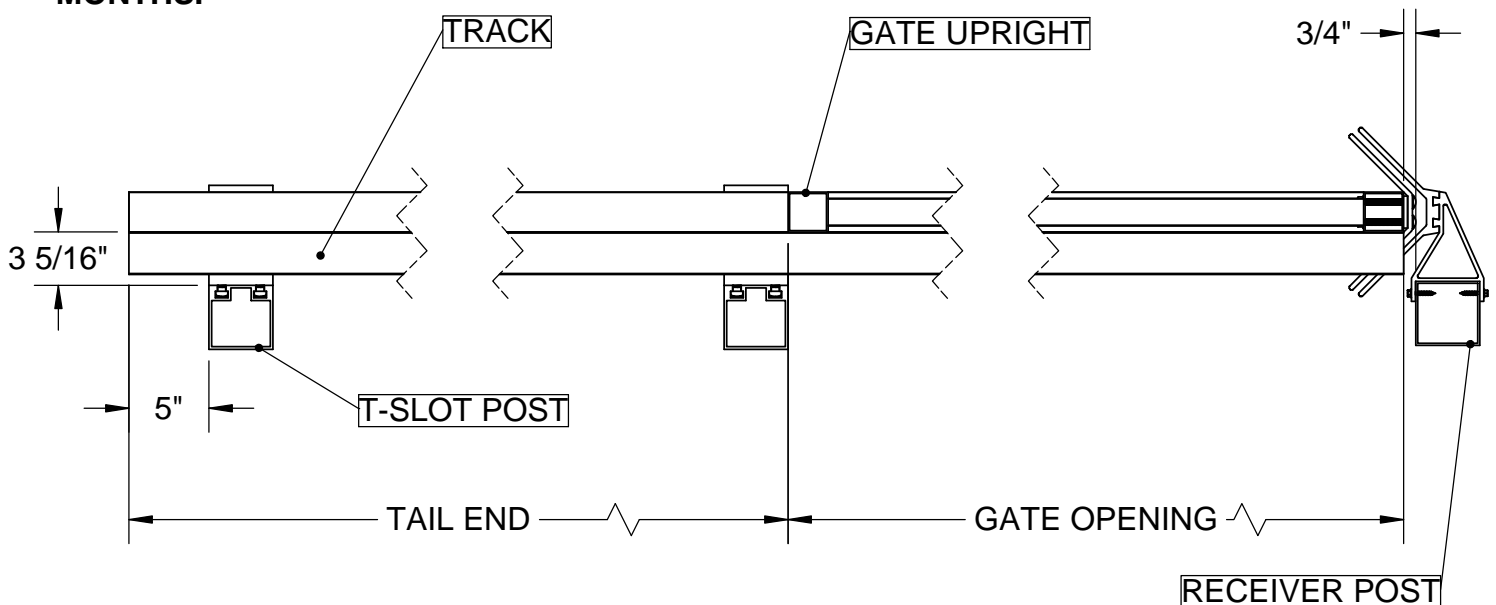
		<b>BARRETTE Outdoor Living</b>	
DRAWN: JH	DATE: 11/03/2017	APPROVED:	
DESCRIPTION: <b>T-SLOT SNGL CANTILEVER SNGL SIDE TRACK W/2.5" FRAME INSTRUCTIONS</b>			
SHEET 2 OF 9		REVISION:	PART NUMBER:
SCALE:			<b>34110642</b>
WEIGHT:			

# INSTALLATION PROCEDURE:

- 1.SET T-SLOT POSTS IN THE GROUND - SEE POST LOCATION BELOW.
- 2.INSTALL BTM BRACKET (ITEM #5), SPACER (ITEM #6) AND GUIDE WHEEL ( ITEM #11) - SEE SHEET 4
- 3.INSTALL TOP BRACKET (ITEM #4) AND WHEEL TROLLEY ( ITEM #7) - SEE SHEET 5
- 4.PLACE GATE IN THE POSITION - SLIDE GATE TOP TRACK INTO WHEEL TROLLEY (ITEM #7) AND BTM ROLLER GUIDE ON GUIDE WHEEL (ITEM #11) - SEE SHEET 6
5. INSTALL POST RECEIVER (ITEM #8) AND GATE RECEIVER (ITEM #9) - SEE SHEET 7
6. INSTALL GATE STOP (BOLT- ITEM #24,NUT- ITEM #25, WASHER- ITEM #26) ON THE END OF THE TRACK - SEE SHEET 8 ( **ONE GATE STOP REQUIRED ONLY - PER LEAF**)
- 7.INSTALL COVER TRACK (ITEM #10) ON THE END OF THE TRACK - SEE SHEET 9

## NOTE:

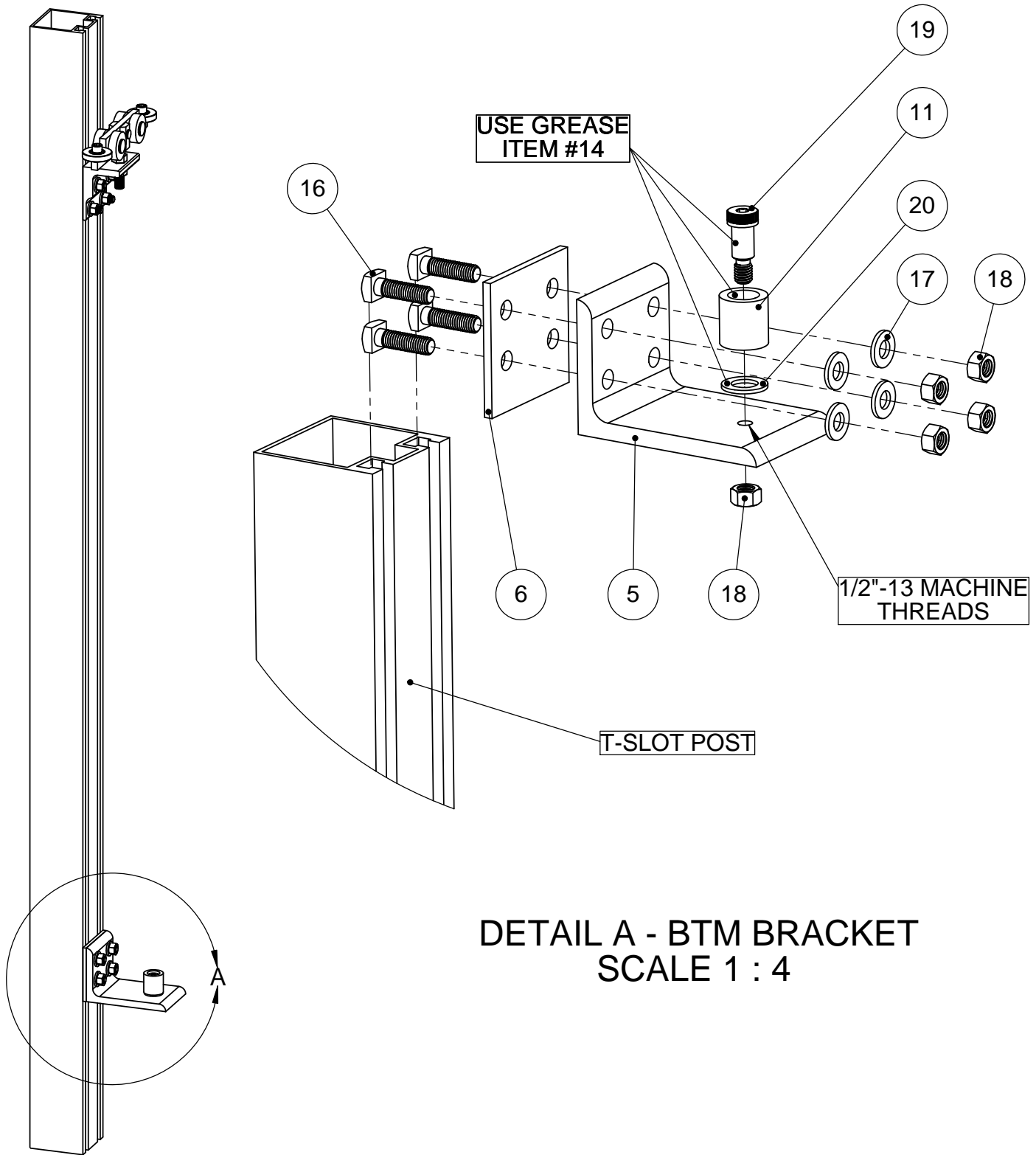
- **INSTALL BTM BRACKETS FIRST**
- **APPLY GREASE (ITEM #14) ON THE SHOULDER BOLTS (ITEM #19), INSIDE GUIDE WHEELS (ITEM # 11) AND TOP OF NYLON WASHER (ITEM #20). MAINTAIN GREASE EVERY 4 TO 6 MONTHS.**



**POST LOCATION DETAIL**  
**SCALE 1:12**

THE INFORMATION CONTAINED IN THIS DRAWING IS PROTECTED BY COPYRIGHT AND PATENT LAWS OF THE UNITED STATES AND OTHER COUNTRIES. ANY REPRODUCTION IN PART OR AS A WHOLE WITHOUT WRITTEN PERMISSION IS PROHIBITED.

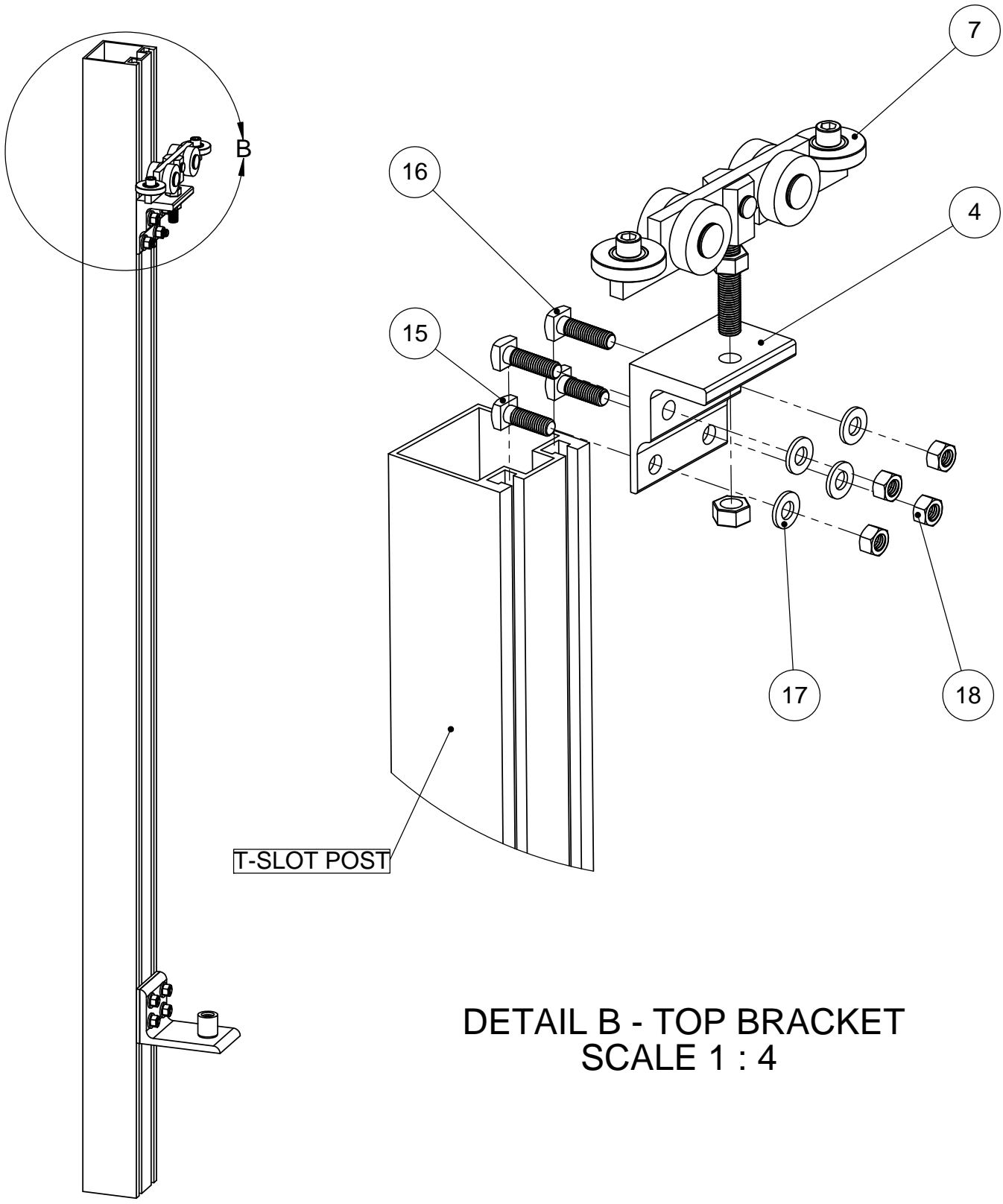
<b>Barrette</b>		<b>BARRETTE</b>	
		<b>Outdoor Living</b>	
DRAWN: JH	DATE: 11/03/2017	APPROVED:	
DESCRIPTION: T-SLOT SNGL CANTILEVER SNGL SIDE TRACK W/ 2.5" FRAME INSTRUCTIONS			
SHEET 3 OF 9	REVISION	PART NUMBER	
SCALE 1:12	0	<b>34110642</b>	
WEIGHT:			



DETAIL A - BTM BRACKET  
SCALE 1 : 4

THE INFORMATION CONTAINED IN THIS DRAWING IS PROTECTED BY COPYRIGHT AND PATENT LAWS OF THE UNITED STATES AND OTHER COUNTRIES. ANY REPRODUCTION IN PART OR AS A WHOLE WITHOUT WRITTEN PERMISSION IS PROHIBITED.

<b>Barrette</b>		<b>BARRETTE Outdoor Living</b>	
DRAWN: JH	DATE: 11/03/2017	APPROVED:	
DESCRIPTION: T-SLOT SNGL CANTILEVER SNGL SIDE TRACK W/2.5" FRAME INSTRUCTIONS			
SHEET 4 OF 9	REVISION	PART NUMBER	
SCALE 1:4	0	34110642	
WEIGHT:			

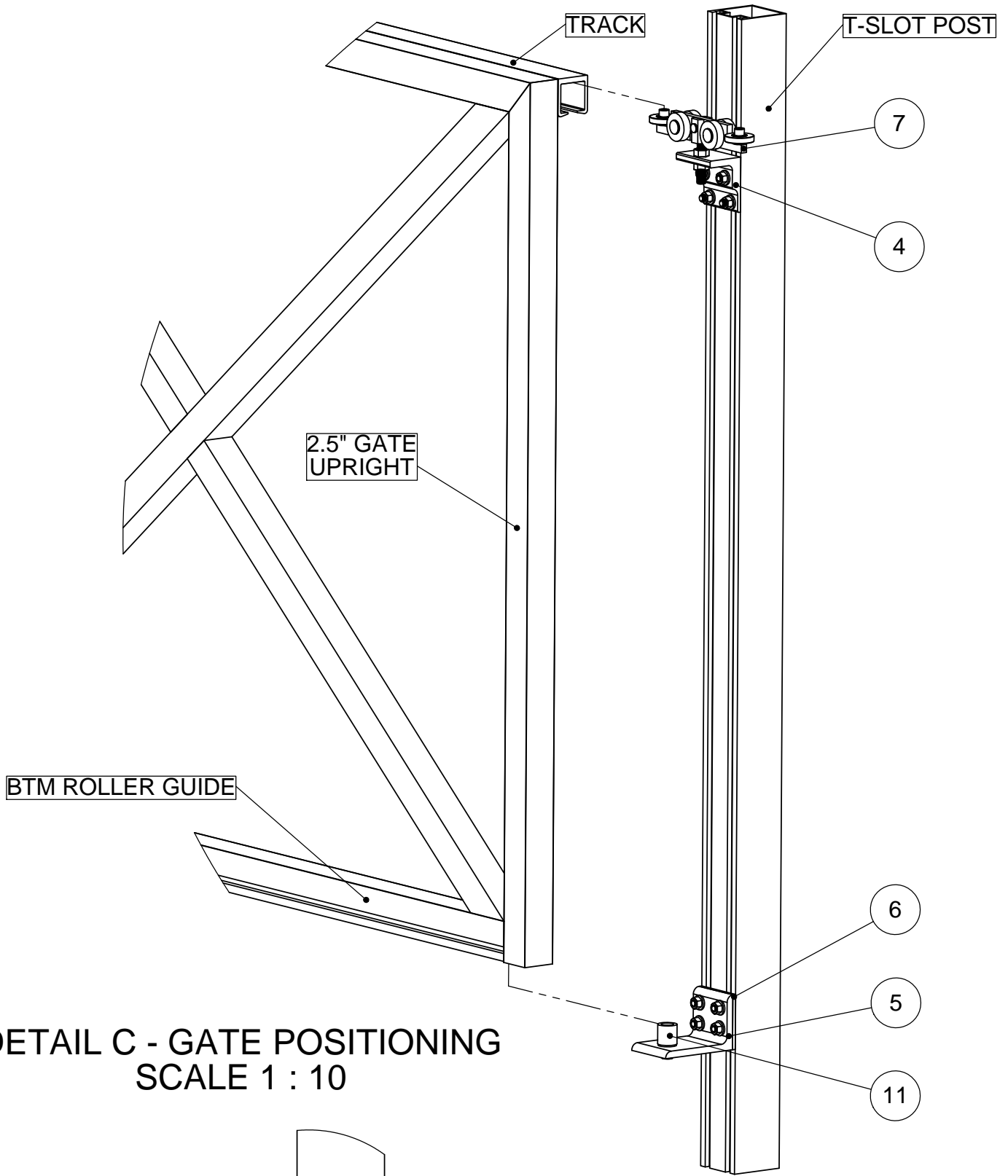


T-SLOT POST

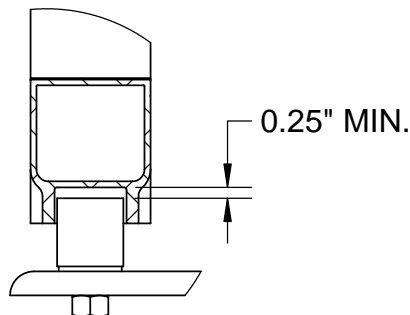
DETAIL B - TOP BRACKET  
SCALE 1 : 4

THE INFORMATION CONTAINED IN THIS DRAWING IS PROTECTED BY COPYRIGHT AND PATENT LAWS OF THE UNITED STATES AND OTHER COUNTRIES. ANY REPRODUCTION IN PART OR AS A WHOLE WITHOUT WRITTEN PERMISSION IS PROHIBITED.

<b>Barrette</b>		<b>BARRETTE Outdoor Living</b>	
DRAWN: JH	DATE: 11/03/2017	APPROVED:	
DESCRIPTION: T-SLOT SNGL CANTILEVER SNGL SIDE TRACK W/2.5" FRAME INSTRUCTIONS			
SHEET 5 OF 9	REVISION	PART NUMBER	
SCALE 1:4	0	34110642	
WEIGHT:			



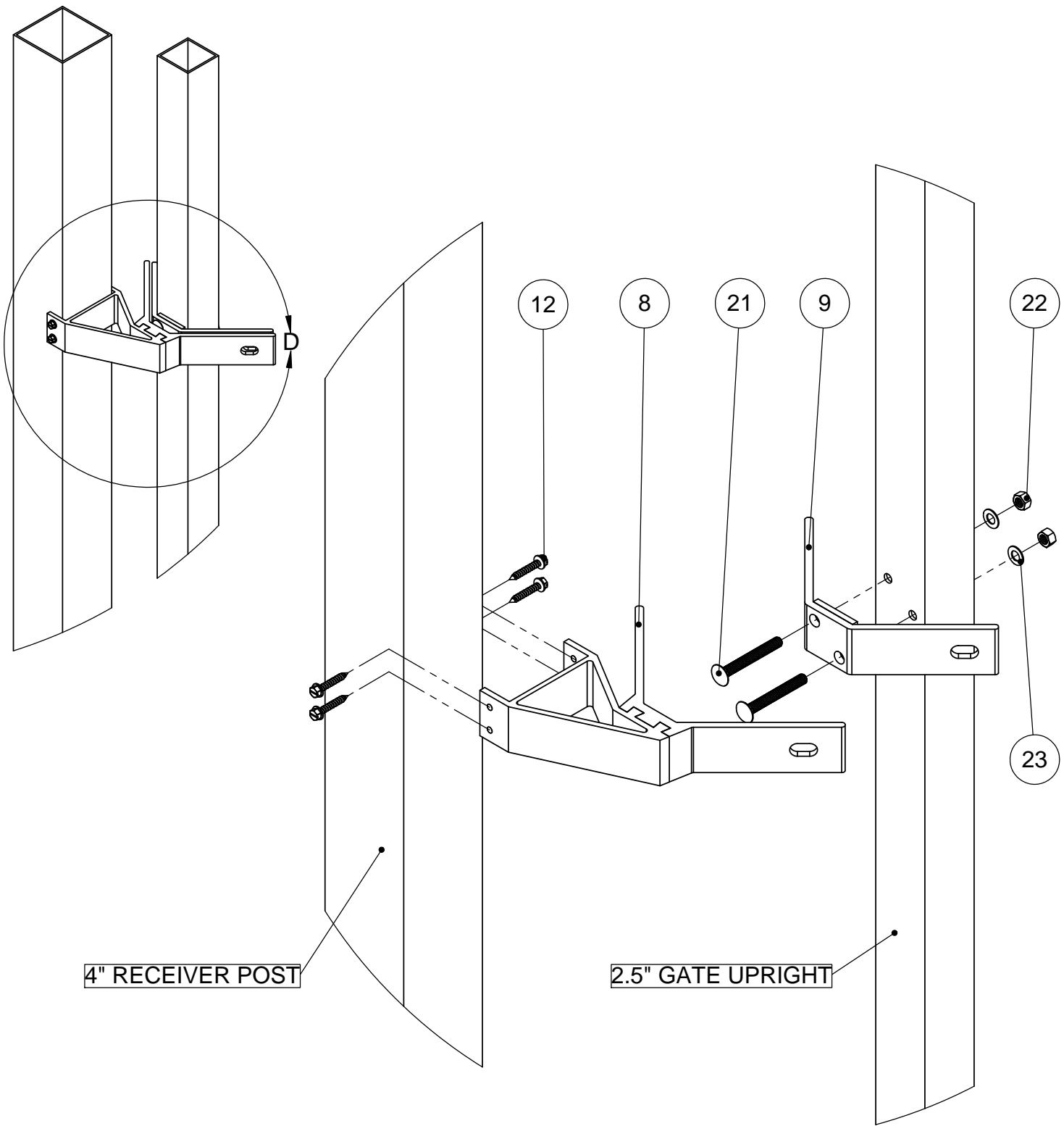
**DETAIL C - GATE POSITIONING**  
**SCALE 1 : 10**



**BTM ROLLER GUIDE-DETAIL**  
**SCALE 1 : 4**

THE INFORMATION CONTAINED IN THIS DRAWING IS PROTECTED BY COPYRIGHT AND PATENT LAWS OF THE UNITED STATES AND OTHER COUNTRIES. ANY REPRODUCTION IN PART OR AS A WHOLE WITHOUT WRITTEN PERMISSION IS PROHIBITED.

<b>Barrette</b>		<b>BARRETTE</b>	
		<b>Outdoor Living</b>	
DRAWN: JH	DATE: 11/03/2017	APPROVED:	
DESCRIPTION: T-SLOT SNGL CANTILEVER SNGL SIDE TRACK W/2.5" FRAME INSTRUCTIONS			
SHEET 6 OF 9	REVISION	PART NUMBER	
SCALE 1:10	0	<b>34110642</b>	
WEIGHT:			



4" RECEIVER POST

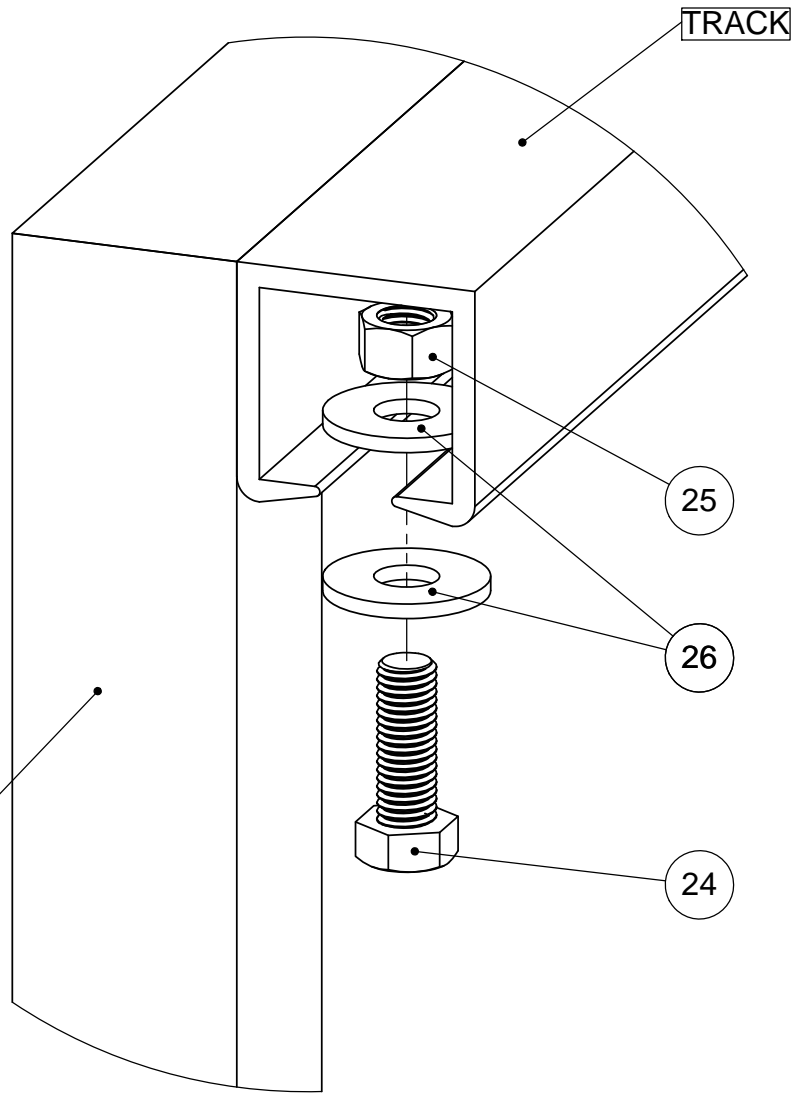
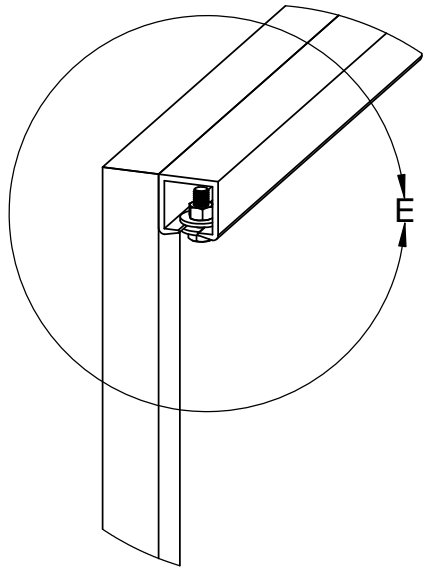
2.5" GATE UPRIGHT

DETAIL D - RECEIVER  
SCALE 1 : 5

THE INFORMATION CONTAINED IN THIS DRAWING IS PROTECTED BY COPYRIGHT AND PATENT LAWS OF THE UNITED STATES AND OTHER COUNTRIES. ANY REPRODUCTION IN PART OR AS A WHOLE WITHOUT WRITTEN PERMISSION IS PROHIBITED.

<b>Barrette</b>		<b>BARRETTE Outdoor Living</b>	
DRAWN: JH	DATE: 11/03/2017	APPROVED:	
DESCRIPTION: T-SLOT SNGL CANTILEVER SNGL SIDE TRACK W/2.5" FRAME INSTRUCTIONS			
SHEET 7 OF 9	REVISION	PART NUMBER	
SCALE 1:5	0	34110642	
WEIGHT:			





2.5" GATE UPRIGHT

TRACK

25

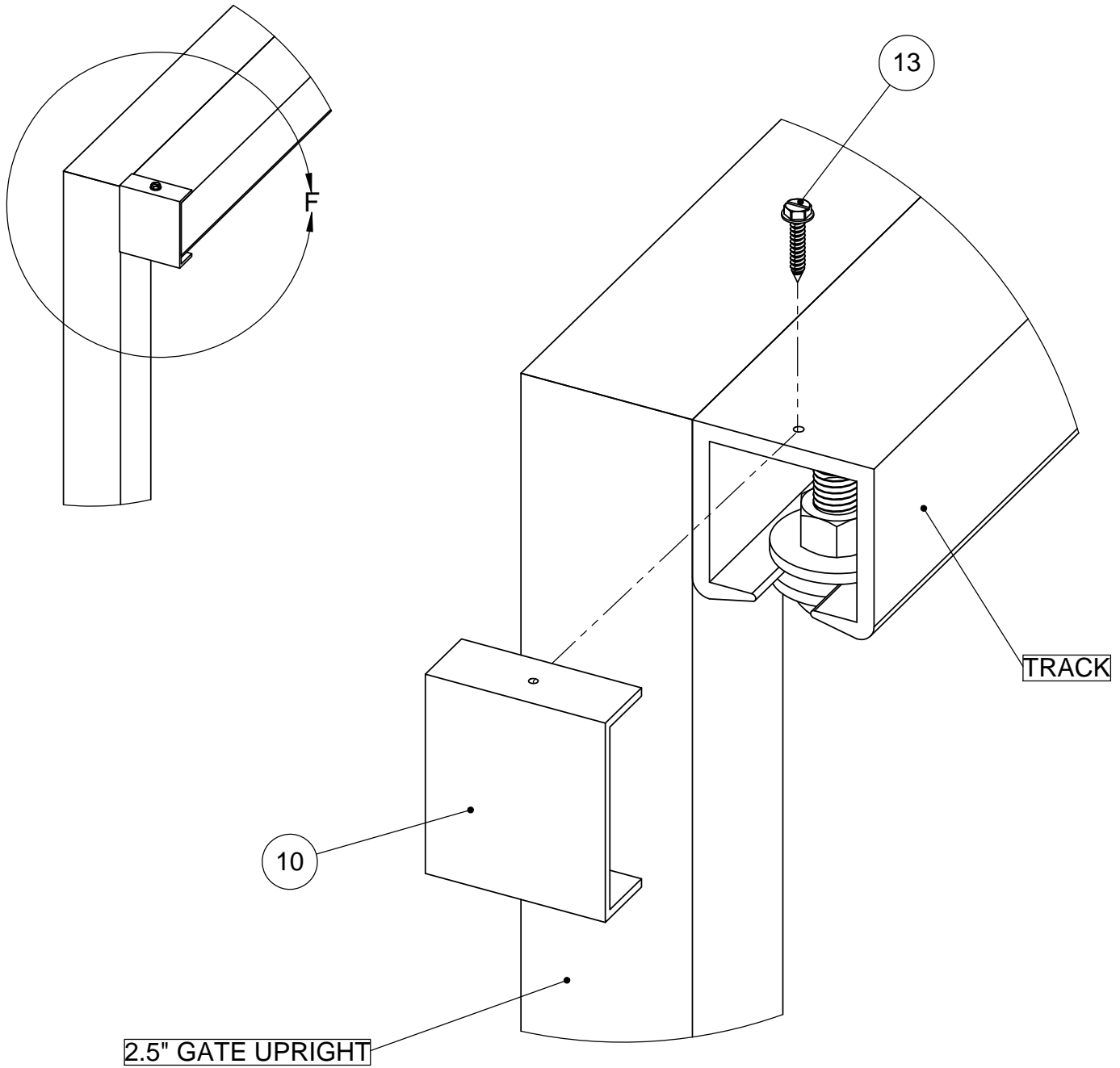
26

24

DETAIL E - GATE STOP  
SCALE 1 : 2

THE INFORMATION CONTAINED IN THIS DRAWING IS PROTECTED BY COPYRIGHT AND PATENT LAWS OF THE UNITED STATES AND OTHER COUNTRIES. ANY REPRODUCTION IN PART OR AS A WHOLE WITHOUT WRITTEN PERMISSION IS PROHIBITED.

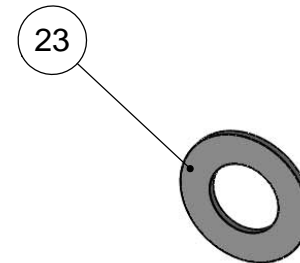
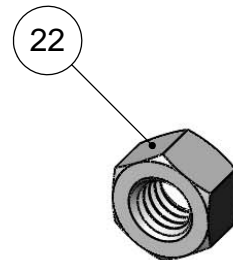
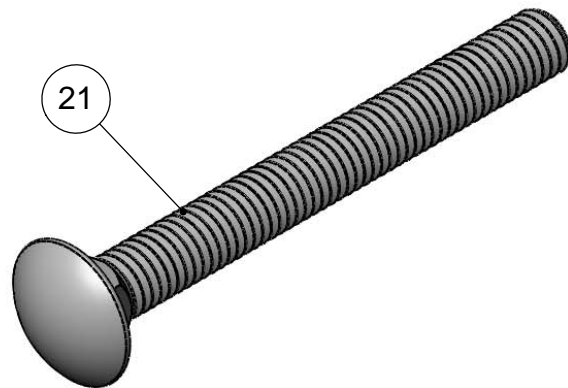
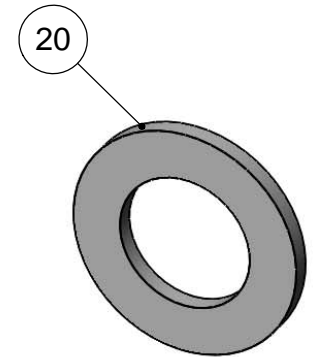
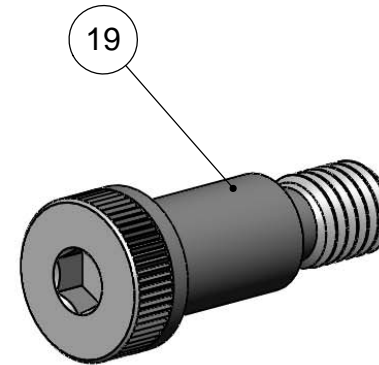
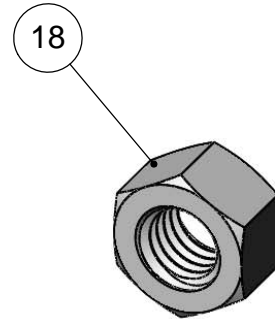
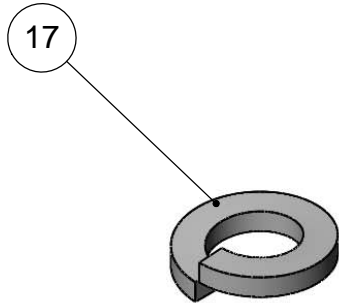
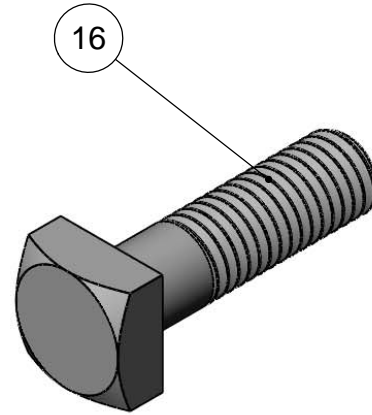
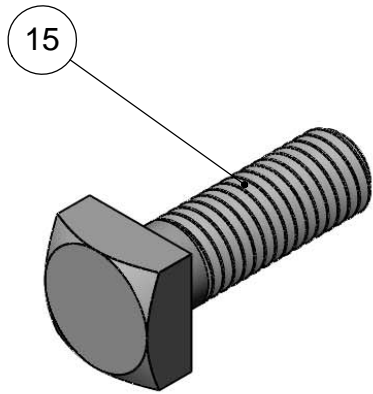
<b>Barrette</b>		<b>BARRETTE Outdoor Living</b>	
DRAWN: JH	DATE: 11/03/2017	APPROVED:	
DESCRIPTION: T-SLOT SNGL CANTILEVER SNGL SIDE TRACK W/2.5" FRAME INSTRUCTIONS			
SHEET 8 OF 9	REVISION	PART NUMBER	
SCALE 1:2	0	34110642	
WEIGHT:			



DETAIL F - COVER TRACK  
SCALE 1 : 2

<b>Barrette</b>		<b>BARRETTE Outdoor Living</b>	
DRAWN: JH	DATE: 11/03/2017	APPROVED:	
DESCRIPTION: <b>T-SLOT SNGL CANTILEVER SNGL SIDE TRACK 2.5" FRAME INSTRUCTIONS</b>			
SHEET 9 OF 9	REVISION	PART NUMBER	
SCALE 1:2	0	<b>34110642</b>	
WEIGHT:			

THE INFORMATION CONTAINED IN THIS DRAWING IS PROTECTED BY COPYRIGHT AND PATENT LAWS OF THE UNITED STATES AND OTHER COUNTRIES. ANY REPRODUCTION IN PART OR AS A WHOLE WITHOUT WRITTEN PERMISSION IS PROHIBITED.

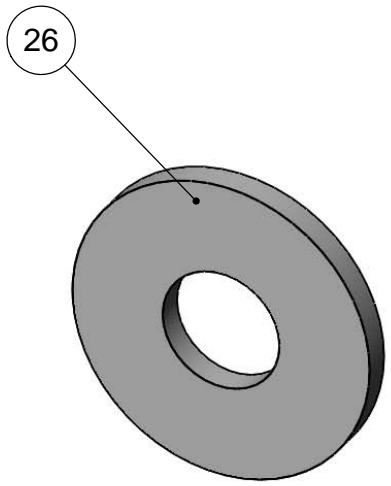
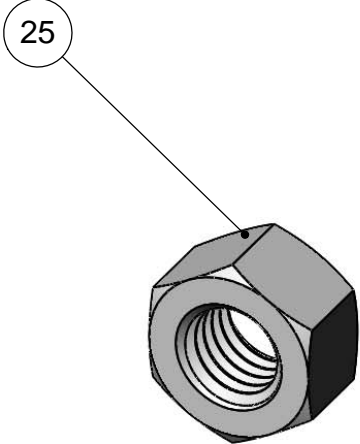
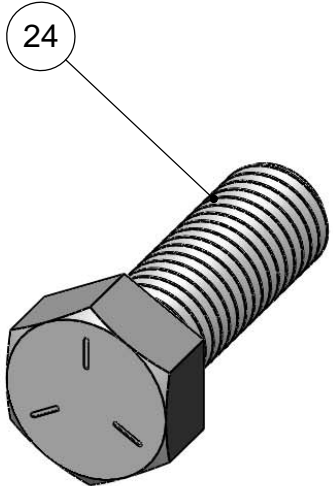


THE INFORMATION CONTAINED IN THIS DRAWING IS PROTECTED BY COPYRIGHT AND PATENT LAWS OF THE UNITED STATES AND OTHER COUNTRIES. ANY REPRODUCTION IN PART OR AS A WHOLE WITHOUT WRITTEN PERMISSION IS PROHIBITED.

ITEM #	PART #	DESCRIPTION	QTY
15	34110253	1/2"-13x1 1/2" SQ HD BOLT ZINC GRADE 5	4
16	34110254	1/2"-13x1 3/4" SQ HD BOLT ZINC GRADE 5	12
17	34110251	1/2" SPLIT LOCK WASHER ZINC	16
18	34110252	1/2"-13 HEX NUT ZINC	18
19	34110257	5/8" SHOULDER BOLT 1" LONG STEEL	2
20	34110215	NYLON WASHER .08x1.25x.75 ID	2
21	34110614	3/8"-16x3.5" CARRIAGE BOLT ZINC GRADE A307	2
22	34110107	3/8"-16 HEX NUT ZINC	2
23	34110281	3/8" WASHER ZINC	2

		<b>BARRETTE</b> Outdoor Living	
DRAWN:	JH	DATE:	11/03/2017
DESCRIPTION:		APPROVED:	
<b>T-SLOT IMPERIAL SNGL CANTILEVER SNGL SIDE TRACK W/2.5" FRAME HARDWARE KIT</b>			
SHEET 1 OF 1		REVISION	PART NUMBER
SCALE 1:1		0	<b>61123571</b>
WEIGHT:			

ITEM #	PART #	DESCRIPTION	QTY
24	34110578	5/8"-11X1-3/4 BOLT HEX HD ZINC GRADE 5	1
25	34110579	5/8"-11 HEX NUT ZINC	1
26	34110580	5/8" FLAT WASHER ZINC	2



THE INFORMATION CONTAINED IN THIS DRAWING IS PROTECTED BY COPYRIGHT AND PATENT LAWS OF THE UNITED STATES AND OTHER COUNTRIES. ANY REPRODUCTION IN PART OR AS A WHOLE WITHOUT WRITTEN PERMISSION IS PROHIBITED.

		<b>BARRETTE</b> Outdoor Living	
DRAWN: JH	DATE: 11/03/2017	APPROVED:	
DESCRIPTION: <b>HARDWARE KIT CANTILEVER GATE STOP</b>			
SHEET 1 OF 1	REVISION	PART NUMBER	
SCALE 1:1		<b>61123135</b>	
WEIGHT:			