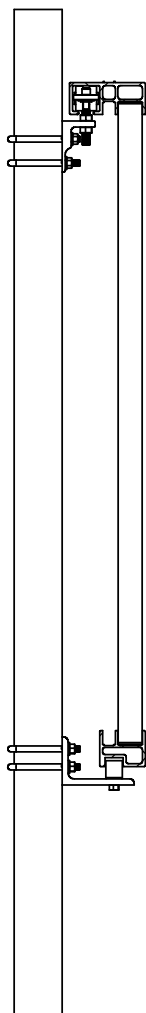


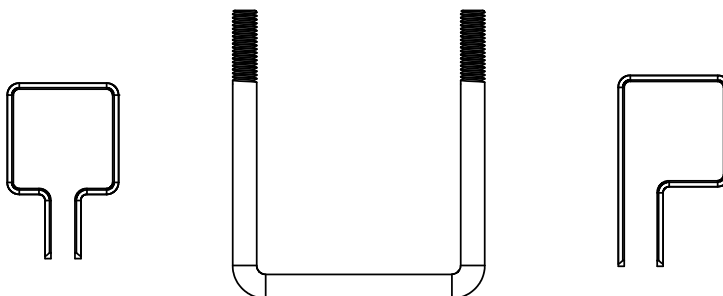
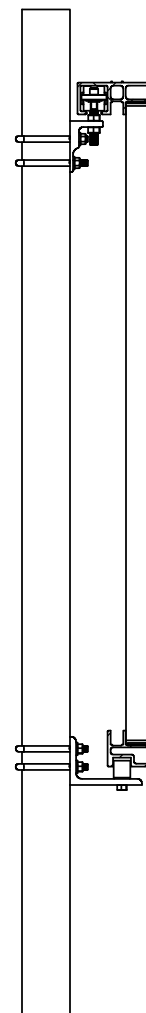


U-BOLT DOUBLE CHAINLINK CANTILEVER

SINGLE TRACK LWR INT GUIDE
Installation Kit - Instructions 4"





SKU	COLOR
61123183	BEIGE
61123184	BLACK
61123185	FLORIDA BRONZE
61123186	GREEN
61123187	GRAY
61123188	LIGHT BRONZE
61119067	MATTE BLACK
61123189	MILL
61119068	MATTE BRONZE
61123190	WHITE



ITEM #	PART #				DESCRIPTION	QTY
1	34110594				U-BOLT DOUBLE CHAINLINK CANTILEVER SINGLE TRACK LOWER INTERIOR GUIDE 4" -INSTRUCTIONS	1
2	34110398				U-BOLT DOUBLE CANTILEVER SINGLE SIDE TRACK LOWER INTERIOR GUIDE 4" -HARDWARE KIT	1
3	61123135				HARDWARE KIT CANTILEVER GATE STOP	2
4	61123003	BG	61123008	LB	U-BOLT SIDE TROLLEY BRACKET 4"	4
	61123004	BK	61119103	MB		
	61123005	BZ	61111353	MF		
	61123006	GR	61119104	MZ		
	61123007	GY	61123009	WH		
5	61123017	BG	61123022	LB	U-BOLT BTM GUIDE BRACKET 4"	4
	61123018	BK	61119107	MB		
	61123019	BZ	61111355	MF		
	61123020	GR	61119108	MZ		
	61123021	GY	61123023	WH		
6	73022674				8 WHEEL TROLLEY	4
7	61111173	BG	61111178	LB	T-SLOT RECEIVER GATE	1
	61111174	BK	61119093	MB		
	61111175	BZ	61111179	MF		
	61111176	GR	61119094	MZ		
	61111177	GY	61111180	WH		
8	61111046	BG	61111170	LB	T-SLOT RECEIVER DBL	1
	61111047	BK	61119091	MB		
	61111048	BZ	61111171	MF		
	61111049	GR	61119092	MZ		
	61111169	GY	61111172	WH		
9	61123143	BG	61123148	LB	CHAINLINK COVER - SINGLE TRACK	2
	61123144	BK	61119111	MB		
	61123145	BZ	61123149	MF		
	61123146	GR	61119112	MZ		
	61123147	GY	61123150	WH		
10	61123159	BG	61123164	LB	CHAINLINK COVER - BTM GUIDE FRAME	2
	61123160	BK	61119052	MB		
	61123161	BZ	61123165	MF		
	61123162	GR	61119053	MZ		
	61123163	GY	61123166	WH		
11	34110287				1.43" DIA. DERLIN GUIDE WHEEL	4

THE INFORMATION CONTAINED IN THIS DRAWING IS PROTECTED BY COPYRIGHT AND PATENT LAWS OF THE UNITED STATES AND OTHER COUNTRIES. ANY REPRODUCTION IN PART OR AS A WHOLE WITHOUT WRITTEN PERMISSION IS PROHIBITED.

		BARRETTE Outdoor Living	
DRAWN: JH	DATE: 08/22/2017	APPROVED:	
DESCRIPTION: U-BOLT DBL CHLINK CNT SNG TRK INSTR 4"			
SHEET 1 OF 13	REVISION:	PART NUMBER	
SCALE:		34110594	
WEIGHT:			

12	73022816	BG	73026018	GY	SCREW #14X1-1/2 HX HD SDS 410 SS	10
	73022817	BK	73022820	LB		
	73022818	BZ	73022415	MF		
	73022819	GR	73022821	WH		
13	61124153	BK	73022455	MF	CHAIN LINK TENSION BAND	TBD*
14	61124154	BK	73022456	MF	BARBED WIRE BRACE BAND	12**
15	34110107				3/8"-16 HEX NUT ZINC	TBD***
16	34110108				3/8"-16X1-1/2" CARRIAGE BOLT ZINC GRADE A307	TBD***
17	34110341				GREASE 3 OZ.	1
18	34110442				U-BOLT 1/2"-13x4" SQ ZINC	16
19	34110251				1/2" SPLIT LOCK WASHER ZINC	32
20	34110252				1/2"-13 HEX NUT ZINC	36
21	34110257				5/8" SHOULDER BOLT 1" LONG STEEL	4
22	34110215				NYLON WASHER .08x1.25x.75 ID	4
23	34110256				3/8"-16x3" CARRIAGE BOLT ZINC GRADE A307	2
24	34110107				3/8"-16 HEX NUT ZINC	2
25	34110281				3/8" WASHER ZINC	2
26	34110578				5/8"-11X1-3/4 BOLT HEX HD ZINC GRADE 5	1
27	34110579				5/8"-11 HEX NUT ZINC	1
28	34110580				5/8" FLAT WASHER ZINC	2
29	61124157	BK	61124155	MF	BOLT-ON BARB WIRE UPRIGHT	TBD****
30	34110855				SCREW - 5/16-12 X 1-1/2 HWH SDS ZINC	TBD*****

NOTE:

- 1.) ITEM #18 TO #25 IS PART OF 34110398 HARDWARE KIT (SEE SHEET 1-ITEM 2)
- 2.) ITEM #26 TO #28 IS PART OF 61123135 HARDWARE KIT (SEE SHEET 1-ITEM 3)
- 3.) FOR MATTE BLACK KITS USE BLACK SCREWS
- 4.) FOR MATTE BRONZE KITS USE LIGHT BRONZE SCREWS

* - QUANTITY DETERMINED BY GATE HEIGHT - SEE TABLE BELOW

** - ONLY IF BARBED WIRE BRACE BAND REQUIRED



*** - SAME NUMBER AS CHAIN LINK TENSION BAND
+ 12 (IF BARBED WIRE BRACE BAND REQUIRED)

**** - QUANTITY DETERMINED BY NUMBER OF UPRIGHTS IN THE GATE OPENING

***** - NUMBER OF ITEMS FROM ROW 29 MULTIPLIED BY 2

GATE HEIGHT (FT)	NUMBER OF TENSION BANDS-PER SINGLE GATE
4	6
5	8
6	10
8	14

THE INFORMATION CONTAINED IN THIS DRAWING IS PROTECTED BY COPYRIGHT AND PATENT LAWS OF THE UNITED STATES AND OTHER COUNTRIES. ANY REPRODUCTION IN PART OR AS A WHOLE WITHOUT WRITTEN PERMISSION IS PROHIBITED.

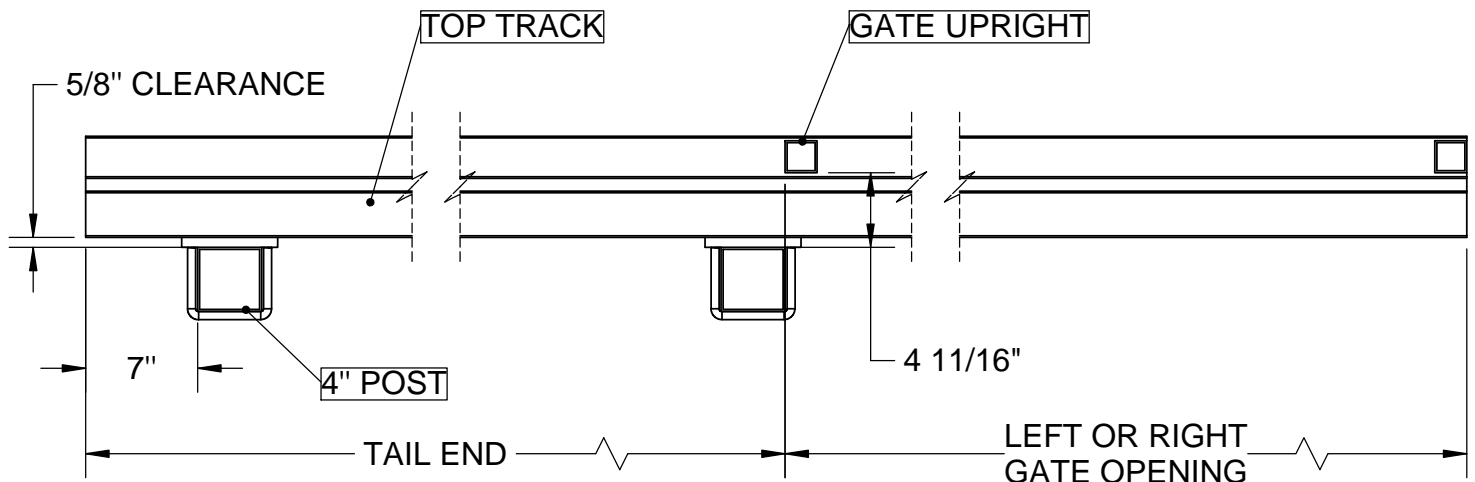
		BARRETTE Outdoor Living	
DRAWN: JH	DATE: 08/22/2017	APPROVED:	
DESCRIPTION: U-BOLT DBL CHLINK CNT SNG TRK INSTR 4"			
SHEET 2 OF 13	REVISION:	PART NUMBER	
SCALE:		34110594	
WEIGHT:			

INSTALLATION PROCEDURE:

- 1.SET 4" POSTS IN THE GROUND - SEE POST LOCATION BELOW.
- 2.INSTALL TOP BRACKET (ITEM #4) AND WHEEL TROLLEY (ITEM #6) - SEE SHEET 4
- 3.INSTALL BTM BRACKET (ITEM #5) AND GUIDE WHEEL (ITEM #11) - SEE SHEET 5
- 4.PLACE GATE IN THE POSITION - SLIDE GATE TOP TRACK INTO WHEEL TROLLEY (ITEM #6) AND BTM ROLLER GUIDE ON GUIDE WHEEL (ITEM #11) - SEE SHEET 6
- 5.INSTALL RECEIVER DBL (ITEM #8) AND GATE RECEIVER (ITEM #7) - SEE SHEET 7
- 6.INSTALL GATE STOP (BOLT-ITEM #26,NUT- ITEM #27,WASHERS-ITEM # 28) ON THE END OF THE TRACK - SEE SHEET 8 (**ONE GATE STOP REQUIRED ONLY - PER LEAF**)
- 7.INSTALL COVER-TOP TRACK (ITEM #9) ON THE END OF THE TOP TRACK - SEE SHEET 9
- 8.INSTALL COVER-BTM FRAME (ITEM #10) ON THE END OF THE BTM FRAME - SEE SHEET 10
- 9.INSTALL TENSION BANDS (ITEM #13) ON THE UPRIGHT - SEE SHEET 11 (IF REQUIRED)
- 10.INSTALL BARBED WIRE TENSION UPRIGHTS (ITEM #29) ON TOP TRACK. UPRIGHTS NEEDS TO BE WELDED (BY MANUFACTURER) OR BOLTED (BY CUSTOMER) - SEE SHEET 12 (IF REQUIRED)
- 11.INSTALL BARBED WIRE TENSION BANDS (ITEM #14) ON THE UPRIGHT - SEE SHEET 13 (IF REQUIRED)

NOTE:

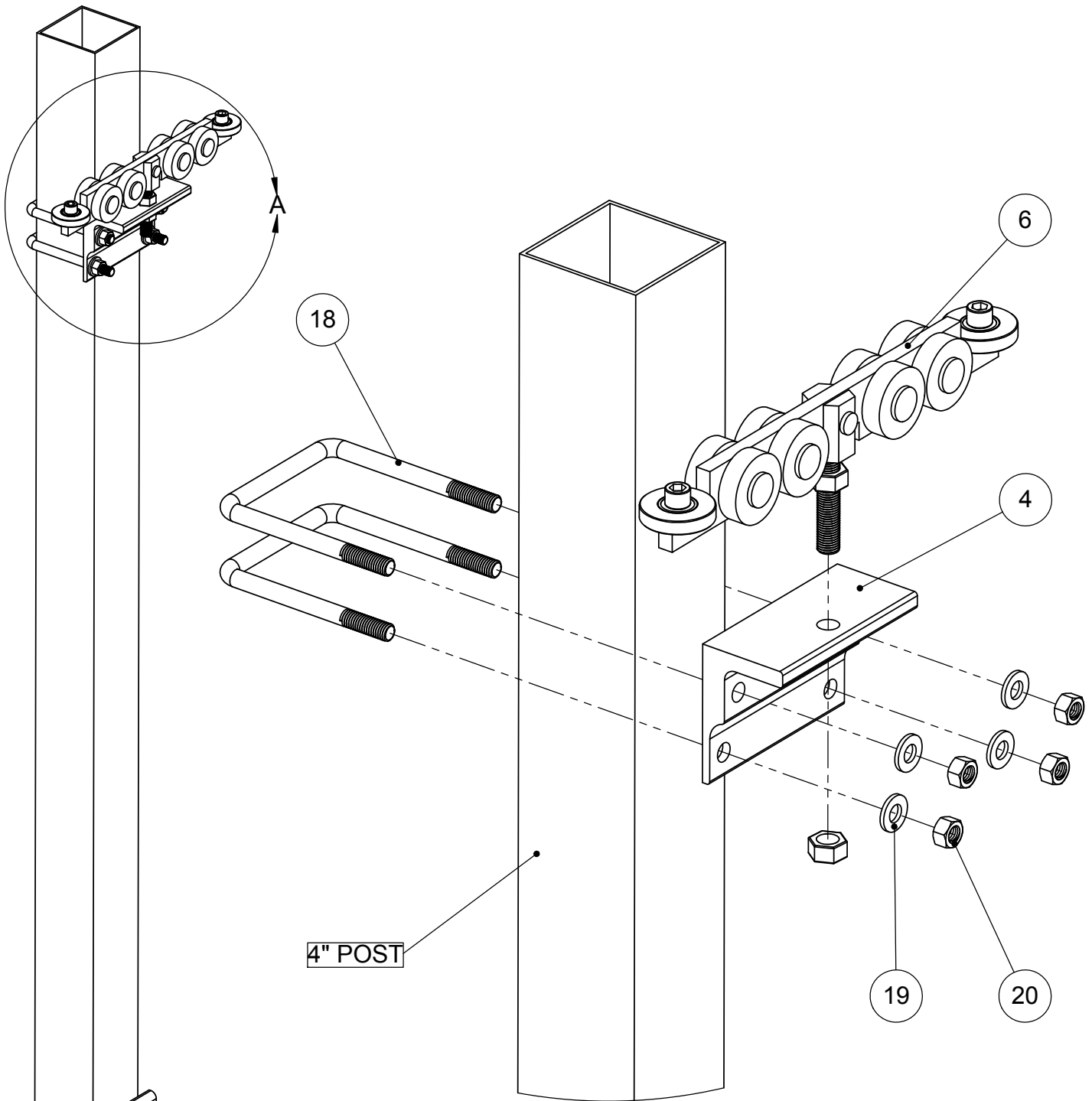
- **APPLY GREASE (ITEM #17) ON THE SHOULDER BOLTS (ITEM #21), INSIDE GUIDE WHEELS (ITEM # 11) AND TOP OF NYLON WASHER (ITEM #22). MAINTAIN GREASE EVERY 4 TO 6 MONTHS.**



**POST LOCATION DETAIL
SCALE 1:12**

THE INFORMATION CONTAINED IN THIS DRAWING IS PROTECTED BY COPYRIGHT AND PATENT LAWS OF THE UNITED STATES AND OTHER COUNTRIES. ANY REPRODUCTION IN PART OR AS A WHOLE WITHOUT WRITTEN PERMISSION IS PROHIBITED.

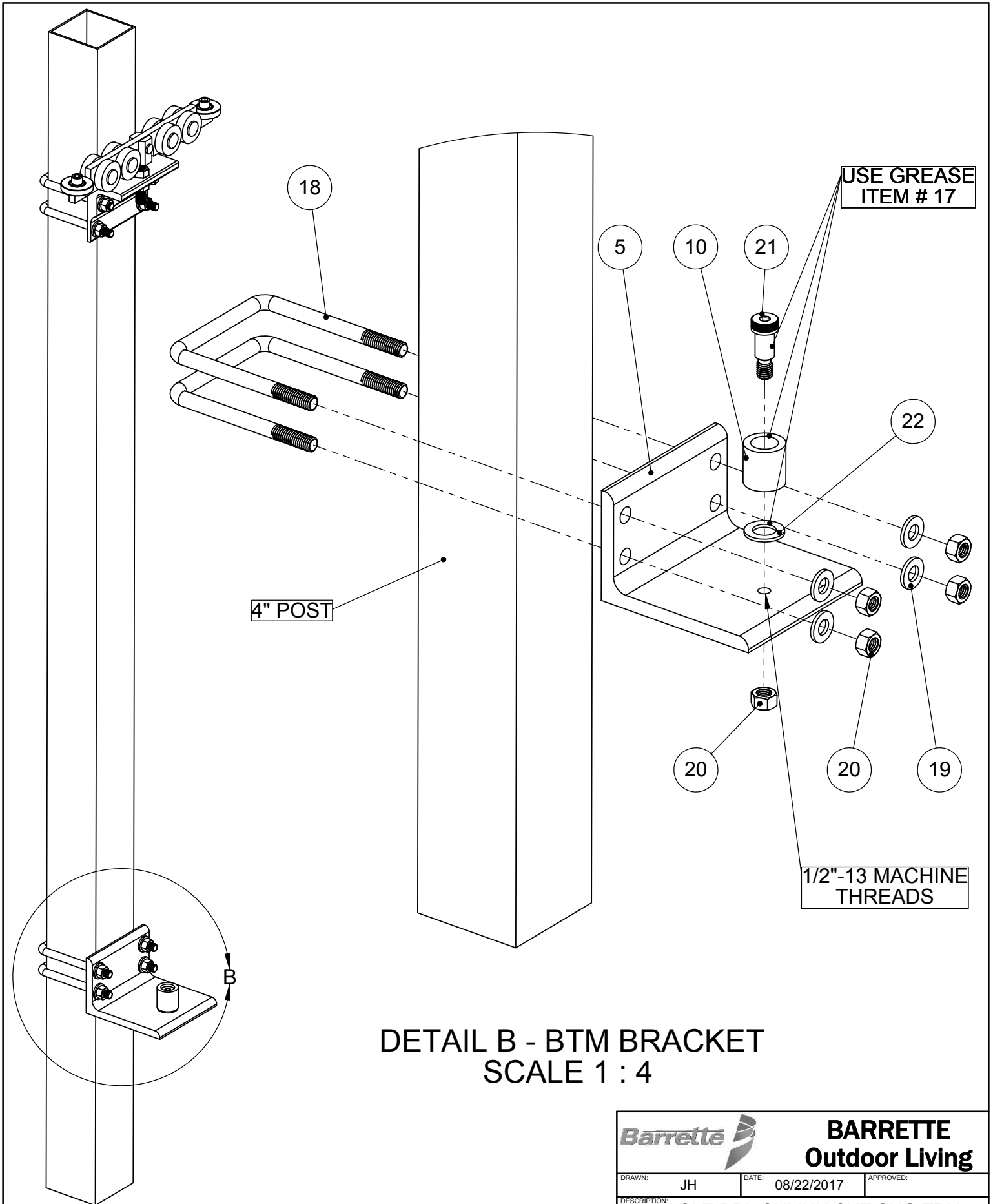
Barrette		BARRETTE Outdoor Living	
DRAWN: JH	DATE: 08/22/2017	APPROVED:	
DESCRIPTION: U-BOLT DBL CHLINK CNT SNG TRK INSTR 4"			
SHEET 3 OF 13	REVISION	PART NUMBER	
SCALE 1:12	0	34110594	
WEIGHT:			



DETAIL A - TOP BRACKET
SCALE 1 : 4

THE INFORMATION CONTAINED IN THIS DRAWING IS PROTECTED BY COPYRIGHT AND PATENT LAWS OF THE UNITED STATES AND OTHER COUNTRIES. ANY REPRODUCTION IN PART OR AS A WHOLE WITHOUT WRITTEN PERMISSION IS PROHIBITED.

Barrette		BARRETTE Outdoor Living	
DRAWN: JH	DATE: 08/22/2017	APPROVED:	
DESCRIPTION: U-BOLT DBL CHLINK CNT SNG TRK INSTR 4"			
SHEET 4 OF 13	REVISION	PART NUMBER	
SCALE 1:4	0	34110594	
WEIGHT:			

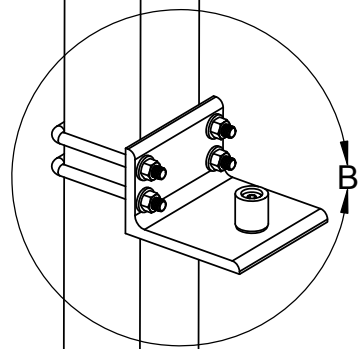


4" POST

USE GREASE
ITEM # 17

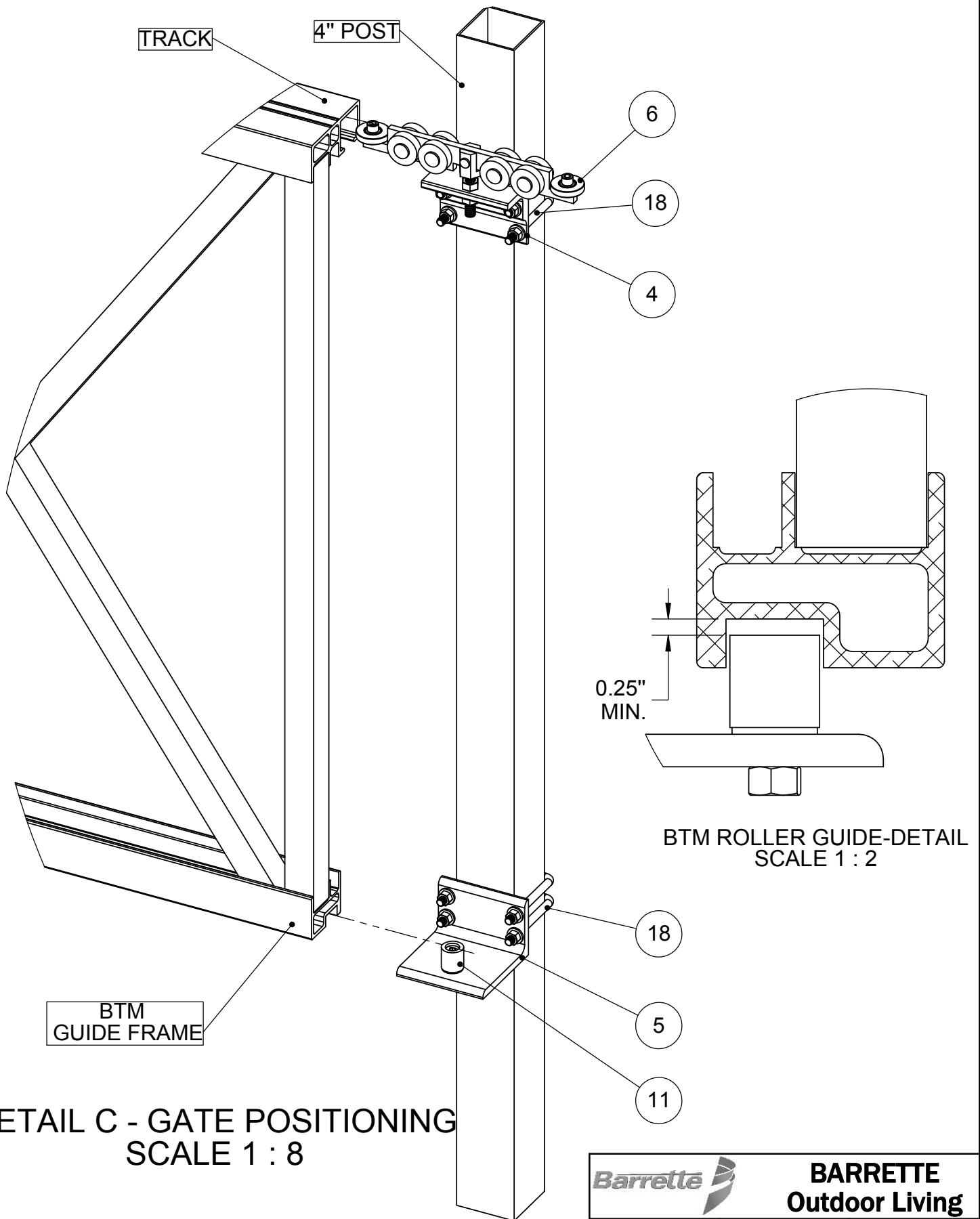
1/2"-13 MACHINE
THREADS

DETAIL B - BTM BRACKET
SCALE 1 : 4



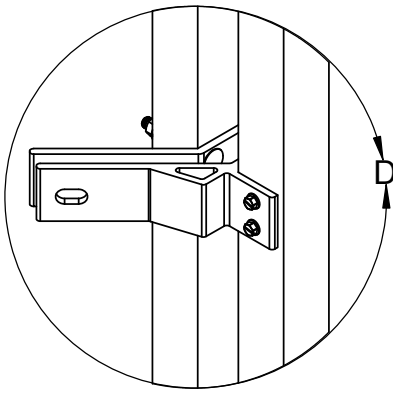
THE INFORMATION CONTAINED IN THIS DRAWING IS PROTECTED BY COPYRIGHT AND PATENT LAWS OF THE UNITED STATES AND OTHER COUNTRIES. ANY REPRODUCTION IN PART OR AS A WHOLE WITHOUT WRITTEN PERMISSION IS PROHIBITED.

Barrette		BARRETTE Outdoor Living	
DRAWN: JH	DATE: 08/22/2017	APPROVED:	
DESCRIPTION: U-BOLT DBL CHLINK CNT SNG TRK INSTR 4"			
SHEET 5 OF 13	REVISION	PART NUMBER	
SCALE 1:4	0	34110594	
WEIGHT:			



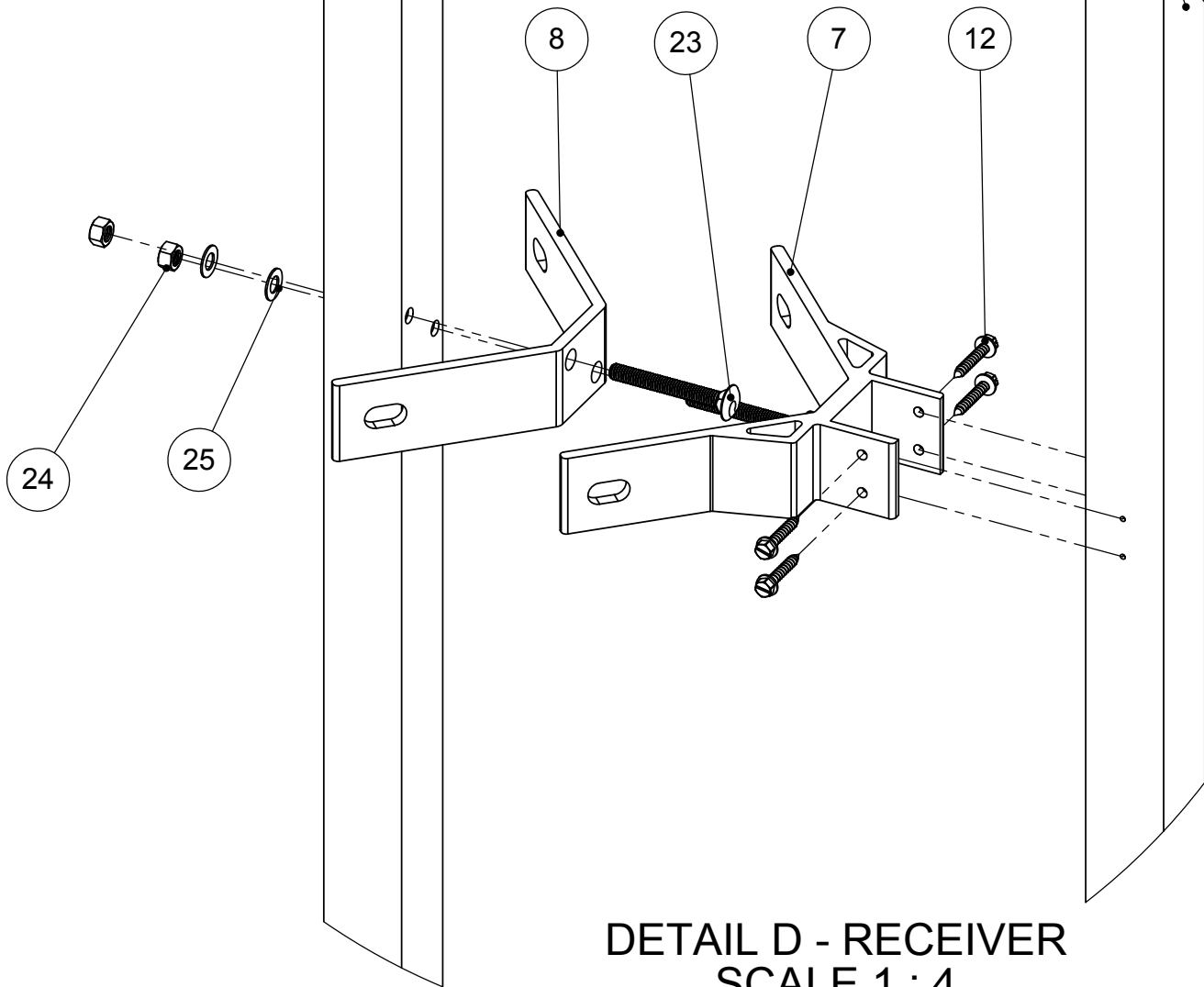
THE INFORMATION CONTAINED IN THIS DRAWING IS PROTECTED BY COPYRIGHT AND PATENT LAWS OF THE UNITED STATES AND OTHER COUNTRIES. ANY REPRODUCTION IN PART OR AS A WHOLE WITHOUT WRITTEN PERMISSION IS PROHIBITED.

Barrette		BARRETTE Outdoor Living	
DRAWN: JH	DATE: 08/22/2017	APPROVED:	
DESCRIPTION: U-BOLT DBL CHLINK CNT SNG TRK INSTR 4"			
SHEET 6 OF 13	REVISION	PART NUMBER	
SCALE 1:8	0	34110594	
WEIGHT:			



2" UPRIGHT
LEFT GATE

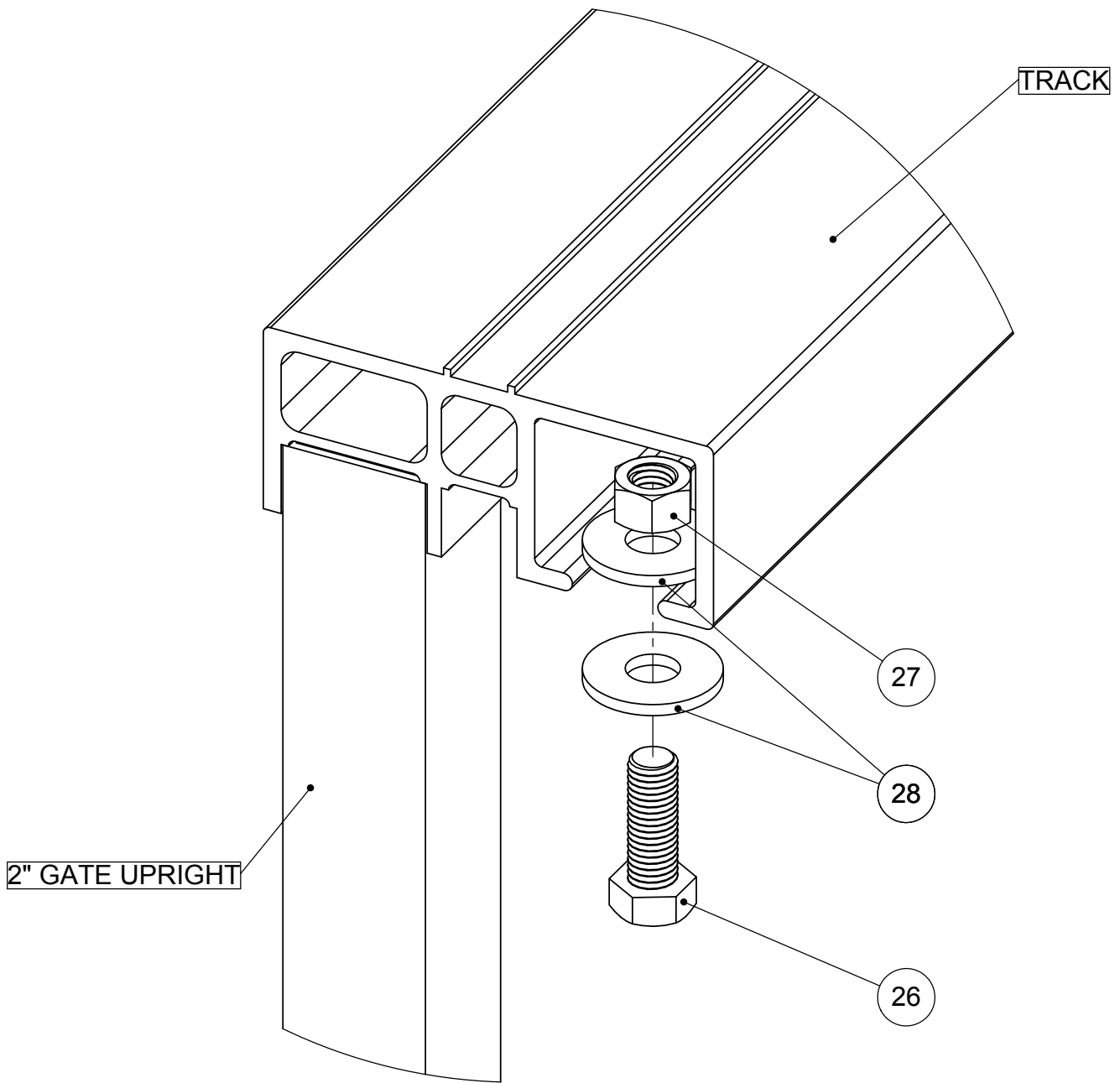
2" UPRIGHT
RIGHT GATE



DETAIL D - RECEIVER
SCALE 1 : 4

THE INFORMATION CONTAINED IN THIS DRAWING IS PROTECTED BY COPYRIGHT AND PATENT LAWS OF THE UNITED STATES AND OTHER COUNTRIES. ANY REPRODUCTION IN PART OR AS A WHOLE WITHOUT WRITTEN PERMISSION IS PROHIBITED.

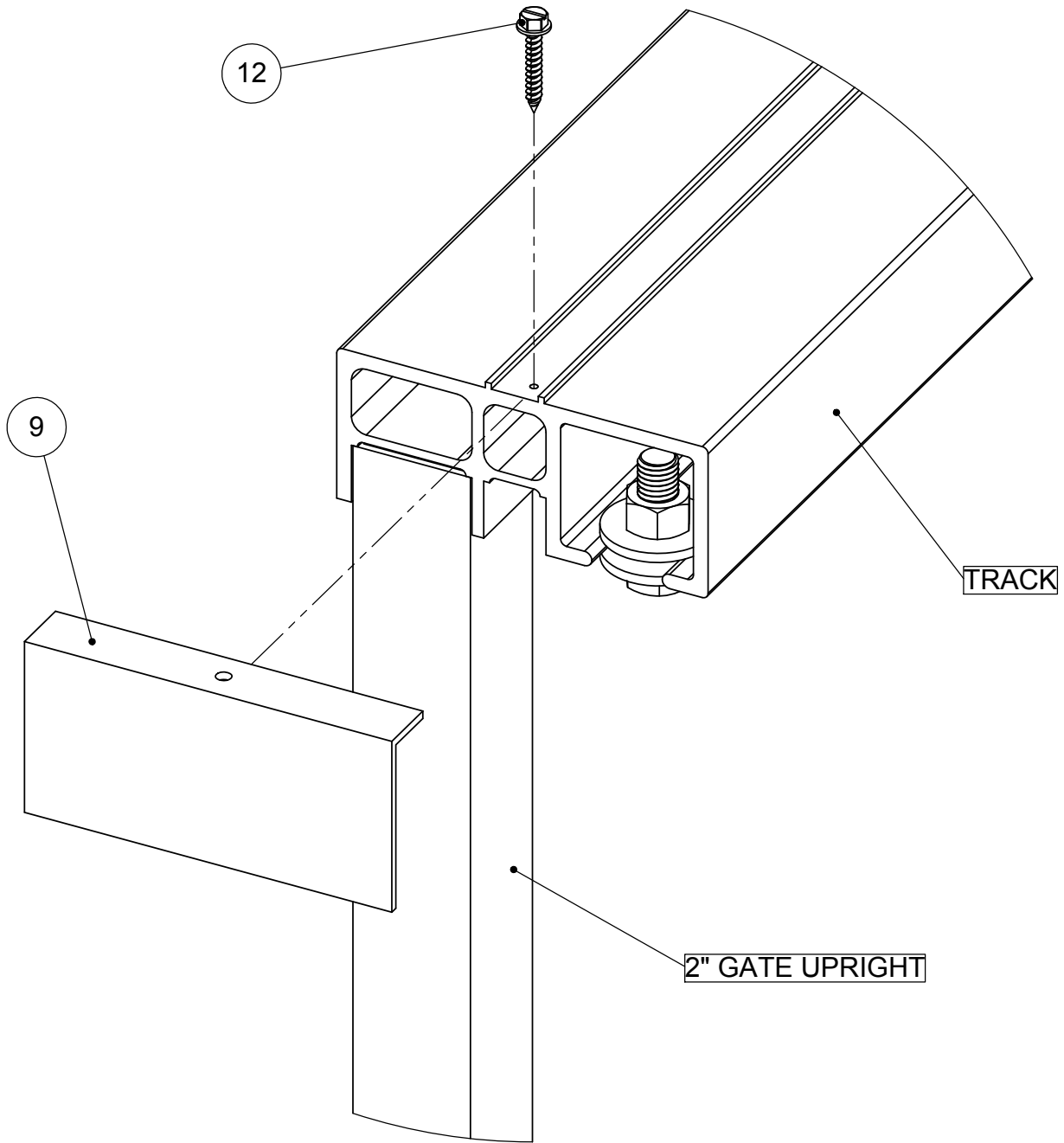
Barrette		BARRETTE Outdoor Living	
DRAWN: JH	DATE: 08/22/2017	APPROVED:	
DESCRIPTION: U-BOLT DBL CHLINK CNT SNG TRK INSTR 4"			
SHEET 7 OF 13	REVISION	PART NUMBER	
SCALE 1:4	0	34110594	
WEIGHT:			



DETAIL E - GATE STOP
SCALE 1 : 2

THE INFORMATION CONTAINED IN THIS DRAWING IS PROTECTED BY COPYRIGHT AND PATENT LAWS OF THE UNITED STATES AND OTHER COUNTRIES. ANY REPRODUCTION IN PART OR AS A WHOLE WITHOUT WRITTEN PERMISSION IS PROHIBITED.

Barrette		BARRETTE Outdoor Living	
DRAWN: JH	DATE: 08/22/2017	APPROVED:	
DESCRIPTION: U-BOLT DBL CHLINK CNT SNG TRK INSTR 4"			
SHEET 8 OF 13	REVISION	PART NUMBER	
SCALE 1:2	0	34110594	
WEIGHT:			



DETAIL F - END COVER-SINGLE TRACK
SCALE 1 : 2

THE INFORMATION CONTAINED IN THIS DRAWING IS PROTECTED BY COPYRIGHT AND PATENT LAWS OF THE UNITED STATES AND OTHER COUNTRIES. ANY REPRODUCTION IN PART OR AS A WHOLE WITHOUT WRITTEN PERMISSION IS PROHIBITED.

Barrette		BARRETTE Outdoor Living	
DRAWN: JH	DATE: 08/22/2017	APPROVED:	
DESCRIPTION: U-BOLT DBL CHLINK CNT SNG TRK INSTR 4"			
SHEET 9 OF 13	REVISION	PART NUMBER	
SCALE 1:2	0	34110594	
WEIGHT:			

2" GATE UPRIGHT

BTM GUIDE FRAME

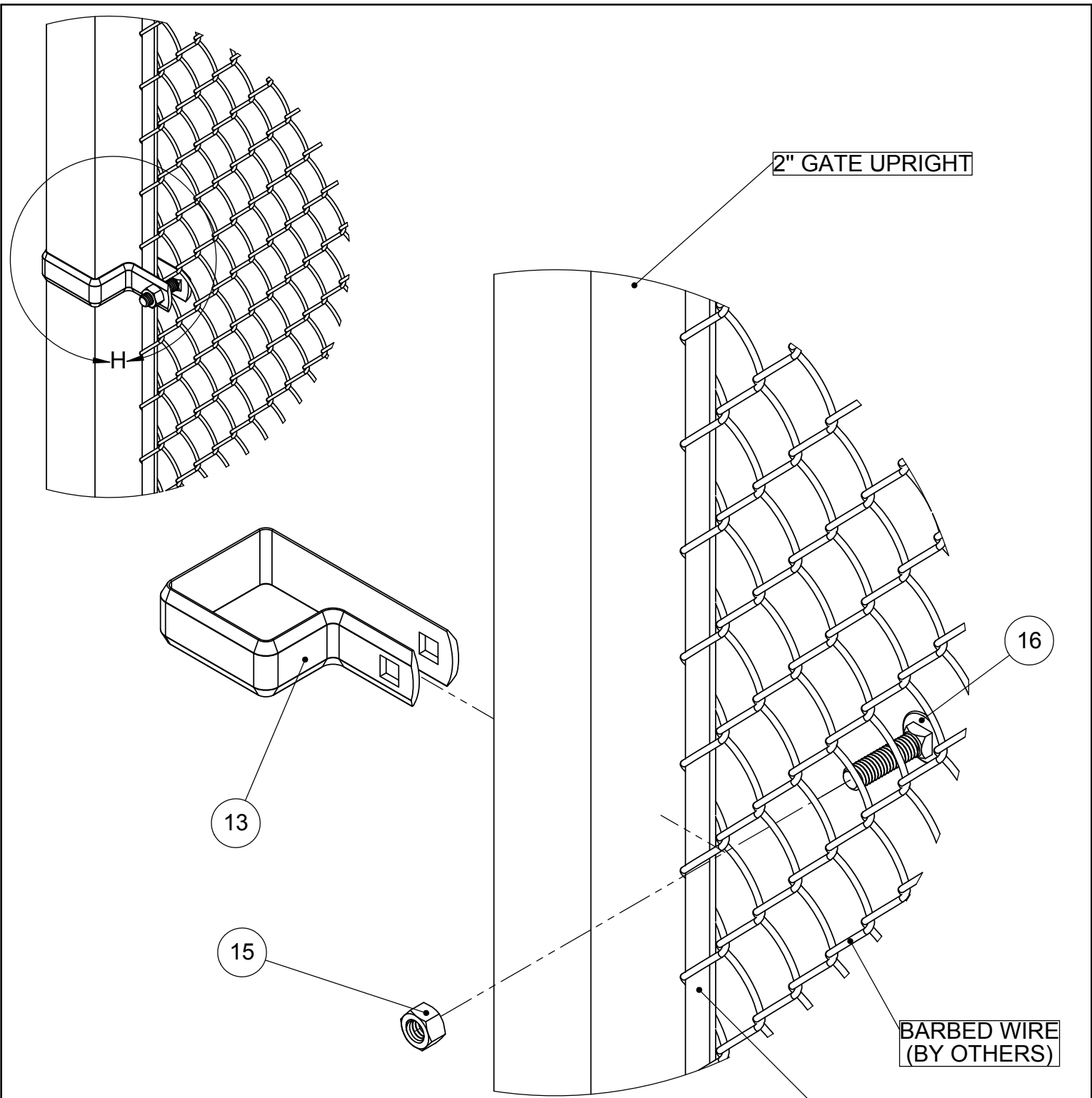
12

10

DETAIL G - END COVER-BTM GUIDE FRAME
SCALE 1 : 2

THE INFORMATION CONTAINED IN THIS DRAWING IS PROTECTED BY COPYRIGHT AND PATENT LAWS OF THE UNITED STATES AND OTHER COUNTRIES. ANY REPRODUCTION IN PART OR AS A WHOLE WITHOUT WRITTEN PERMISSION IS PROHIBITED.

		BARRETTE Outdoor Living	
DRAWN: JH	DATE: 08/22/2017	APPROVED:	
DESCRIPTION: U-BOLT DBL CHLINK CNT SNG TRK INSTR 4"			
SHEET 10 OF 13	REVISION	PART NUMBER	
SCALE 1:2		34110594	
WEIGHT:			



DETAIL H - TENSION BAND
SCALE 1 : 2

THE INFORMATION CONTAINED IN THIS DRAWING IS PROTECTED BY COPYRIGHT AND PATENT LAWS OF THE UNITED STATES AND OTHER COUNTRIES. ANY REPRODUCTION IN PART OR AS A WHOLE WITHOUT WRITTEN PERMISSION IS PROHIBITED.

Barrette		BARRETTE Outdoor Living	
DRAWN: JH	DATE: 08/22/2017	APPROVED:	
DESCRIPTION: U-BOLT DBL CHLINK CNT SNG TRK INSTR 4"			
SHEET 11 OF 13	REVISION: 0	PART NUMBER: 34110594	
SCALE 1:2			
WEIGHT:			

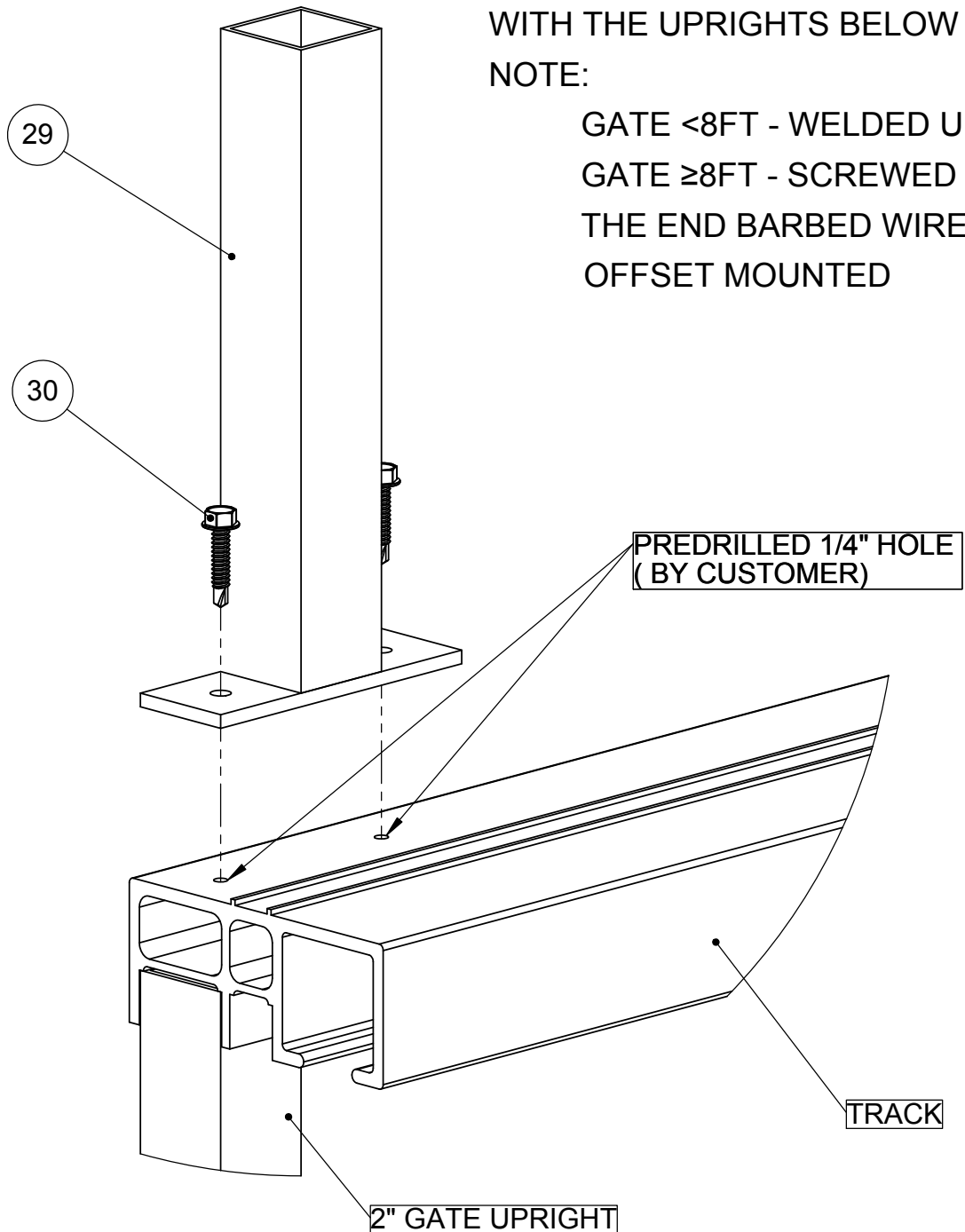
BARBED WIRED UPRIGHTS NEED TO ALIGN WITH THE UPRIGHTS BELOW TOP FRAME.

NOTE:

GATE <8FT - WELDED UPRIGHT

GATE ≥8FT - SCREWED UPRIGHT

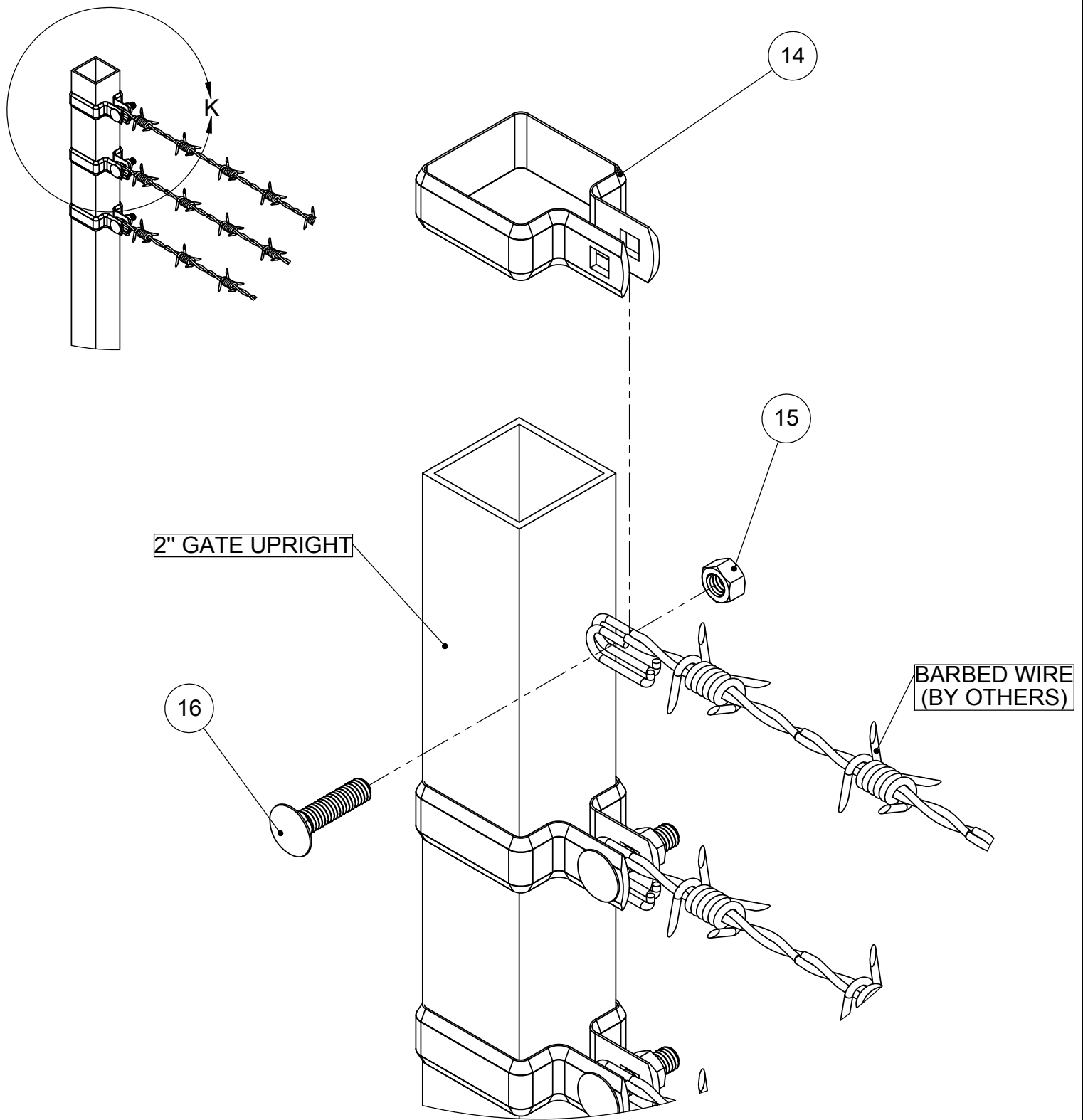
THE END BARBED WIRED UPRIGHT IS OFFSET MOUNTED



DETAIL J - BARBED WIRE UPRIGHT
SCALE 1 : 3

THE INFORMATION CONTAINED IN THIS DRAWING IS PROTECTED BY COPYRIGHT AND PATENT LAWS OF THE UNITED STATES AND OTHER COUNTRIES. ANY REPRODUCTION IN PART OR AS A WHOLE WITHOUT WRITTEN PERMISSION IS PROHIBITED.

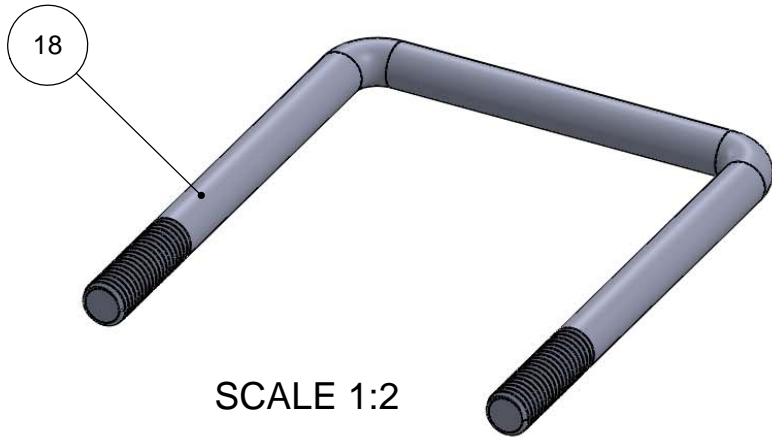
Barrette		BARRETTE Outdoor Living	
DRAWN: JH	DATE: 08/22/2017	APPROVED:	
DESCRIPTION: U-BOLT DBL CHLINK CNT SNG TRK INSTR 4"			
SHEET 12 OF 13	REVISION	PART NUMBER	
SCALE 1:3	0	34110594	
WEIGHT:			



DETAIL K - BARBED WIRE BRACE BAND
SCALE 1 : 2

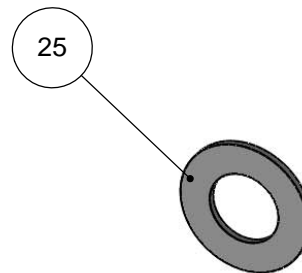
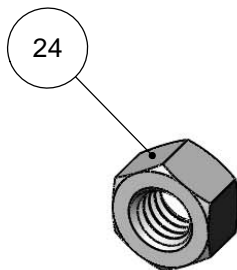
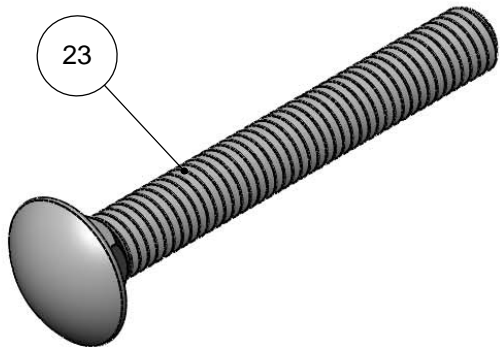
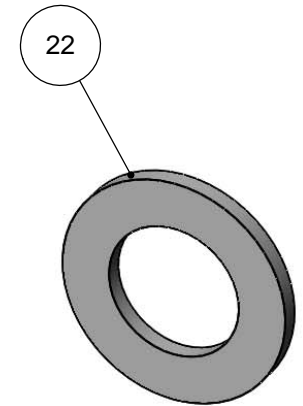
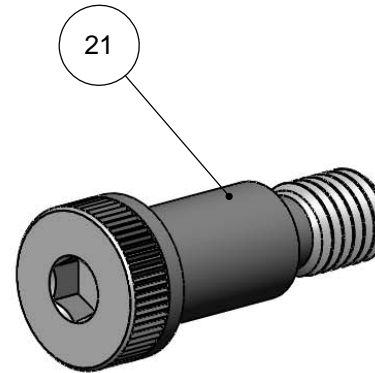
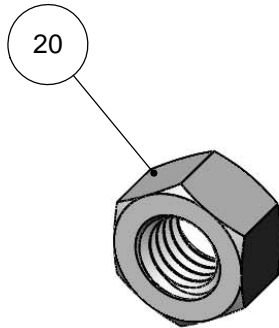
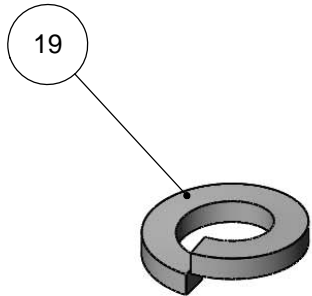
THE INFORMATION CONTAINED IN THIS DRAWING IS PROTECTED BY COPYRIGHT AND PATENT LAWS OF THE UNITED STATES AND OTHER COUNTRIES. ANY REPRODUCTION IN PART OR AS A WHOLE WITHOUT WRITTEN PERMISSION IS PROHIBITED.

Barrette		BARRETTE Outdoor Living	
DRAWN: JH	DATE: 08/22/2017	APPROVED:	
DESCRIPTION: U-BOLT DBL CHLINK CNT SNG TRK INSTR 4"			
SHEET 13 OF 13	REVISION: 0	PART NUMBER: 34110594	
SCALE 1:2			
WEIGHT:			



SCALE 1:2

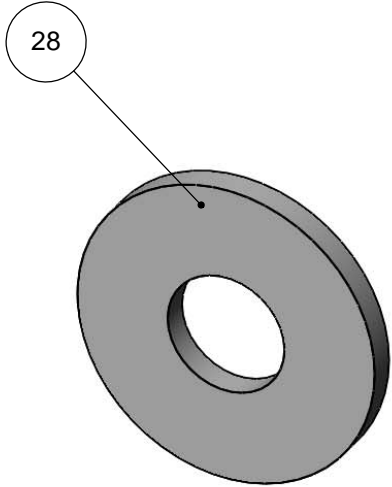
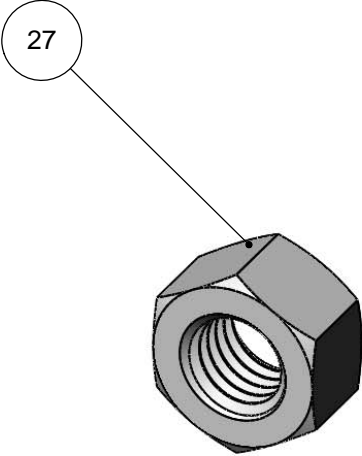
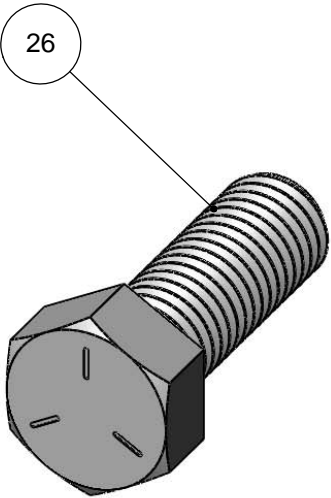
ITEM #	PART #	DESCRIPTION	QTY
18	34110442	U-BOLT 1/2"-13x4" SQ ZINC	16
19	34110251	1/2" SPLIT LOCK WASHER ZINC	32
20	34110252	1/2"-13 HEX NUT ZINC	36
21	34110257	5/8" SHOULDER BOLT 1" LONG STEEL	4
22	34110215	NYLON WASHER .08x1.25x.75 ID	4
23	34110256	3/8"-16x3" CARRIAGE BOLT ZINC GRADE A307	2
24	34110255	3/8"-16 HEX NUT ZINC	2
25	34110281	3/8" WASHER ZINC	2



THE INFORMATION CONTAINED IN THIS DRAWING IS PROTECTED BY COPYRIGHT AND PATENT LAWS OF THE UNITED STATES AND OTHER COUNTRIES. ANY REPRODUCTION IN PART OR AS A WHOLE WITHOUT WRITTEN PERMISSION IS PROHIBITED.

		BARRETTE Outdoor Living	
DRAWN:	JH	DATE:	09/19/2017
APPROVED:			
DESCRIPTION: U-BOLT DBL CNT SNG TRK LGUIDE HRDW KIT4"			
SHEET 1 OF 1		REVISION	PART NUMBER
SCALE 1:1		0	34110398
WEIGHT:			

ITEM #	PART #	DESCRIPTION	QTY
26	34110578	5/8"-11X1-3/4 BOLT HEX HD ZINC GRADE 5	1
27	34110579	5/8"-11 HEX NUT ZINC	1
28	34110580	5/8" FLAT WASHER ZINC	2



THE INFORMATION CONTAINED IN THIS DRAWING IS PROTECTED BY COPYRIGHT AND PATENT LAWS OF THE UNITED STATES AND OTHER COUNTRIES. ANY REPRODUCTION IN PART OR AS A WHOLE WITHOUT WRITTEN PERMISSION IS PROHIBITED.

		BARRETTE Outdoor Living	
DRAWN: JS	DATE: 08/03/2017	APPROVED:	
DESCRIPTION: HARDWARE KIT CANTILEVER GATE STOP			
SHEET 1 OF 1	REVISION	PART NUMBER	
SCALE 1:1		61123135	
WEIGHT:			