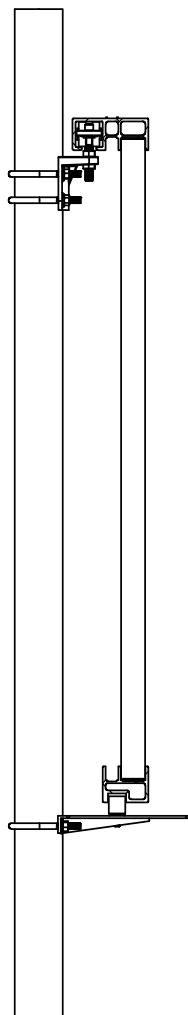




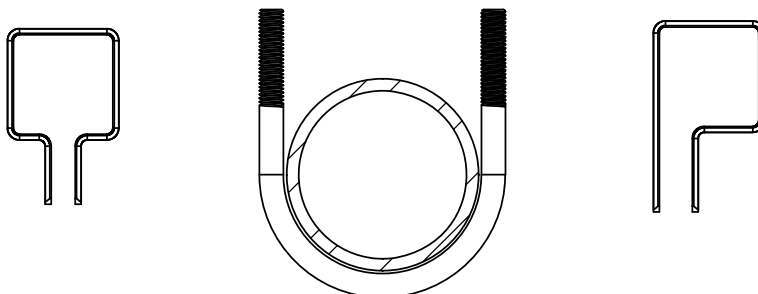
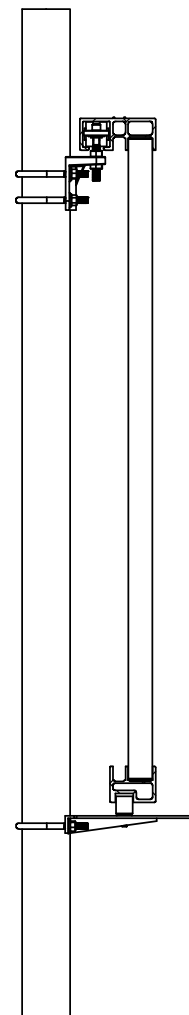
U-BOLT DOUBLE CHAINLINK CANTILEVER

SINGLE TRACK LWR INT GUIDE W/ 4" ROUND POST

Installation Kit - Instructions 4"





SKU	COLOR
61123537	BEIGE
61123538	BLACK
61123539	FLORIDA BRONZE
61123540	GREEN
61123541	GRAY
61123542	LIGHT BRONZE
61119083	MATTE BLACK
61123265	MILL
61119084	MATTE BRONZE
61123543	WHITE



ITEM #	PART #				DESCRIPTION	QTY
1	34110612				U-BOLT DBL CHAINLINK CANTILEVER SNG TRACK LOWER INTERIOR GUIDE WITH ROUND POST -INSTR	1
2	61123551				HARDWARE KIT - CHLINK RD POST GUIDE BRKT	4
3	61123135				HARDWARE KIT CANTILEVER GATE STOP	2
4	61112841				HARDWARE KIT T-SLOT RECEIVER	1
5	34110214				TROLLEY BRACKET ROUND POST	4
6	34110629				CHLINK RD POST GUIDE BRACKET W/O ROLLERS	4
7	73022674				8 WHEEL TROLLEY	4
8	61111046	BG	61111170	LB	T-SLOT RECEIVER DBL	1
	61111047	BK	61119091	MB		
	61111048	BZ	61111171	MF		
	61111049	GR	61119092	MZ		
	61111169	GY	61111172	WH		
9	61111173	BG	61111178	LB	T-SLOT RECEIVER GATE	1
	61111174	BK	61119093	MB		
	61111175	BZ	61111179	MF		
	61111176	GR	61119094	MZ		
	61111177	GY	61111180	WH		
10	61123143	BG	61123148	LB	CHAINLINK COVER - SINGLE TRACK	2
	61123144	BK	61119111	MB		
	61123145	BZ	61123149	MF		
	61123146	GR	61119112	MZ		
	61123147	GY	61123150	WH		
11	61123159	BG	61123164	LB	CHAINLINK COVER - BTM GUIDE FRAME	2
	61123160	BK	61119052	MB		
	61123161	BZ	61123165	MF		
	61123162	GR	61119053	MZ		
	61123163	GY	61123166	WH		
12	73022816	BG	73026018	GY	SCREW #14X1-1/2 HX HD SDS 410 SS	10
	73022817	BK	73022820	LB		
	73022818	BZ	73022415	MF		
	73022819	GR	73022821	WH		
13	34110341				GREASE 3 OZ.	1

THE INFORMATION CONTAINED IN THIS DRAWING IS PROTECTED BY COPYRIGHT AND PATENT LAWS OF THE UNITED STATES AND OTHER COUNTRIES. ANY REPRODUCTION IN PART OR AS A WHOLE WITHOUT WRITTEN PERMISSION IS PROHIBITED.

		BARRETTE Outdoor Living	
DRAWN: JS	DATE: 09/25/2017	APPROVED:	
DESCRIPTION: U-BOLT DBL CHLINK CNT SNG TRK INSTR RD			
SHEET 1 OF 13	REVISION:	PART NUMBER	
SCALE:		34110612	
WEIGHT:			

ITEM #	PART #				DESCRIPTION	QTY
14	61124153	BK	73022455	MF	CHAIN LINK TENSION BAND	TBD*
15	61124154	BK	73022456	MF	BARBED WIRE BRACE BAND	12**
16	34110107				3/8"-16 HEX NUT ZINC	TBD***
17	34110108				3/8"-16X1-1/2" CARRIAGE BOLT ZINC GRADE A307	TBD***
18	34110589				5/8" SHOULDER BOLT 1.25" LONG STEEL	1
19	34110287				1.43" DIA. DERLIN GUIDE WHEEL	1
20	34110215				NYLON WASHER .08x1.25x.75 ID	1
21	34110590				7/16" FLAT WASHER ZINC	2
22	34110591				1/2"-13 FLANGE NUT ZINC	1
23	34110578				5/8"-11X1-3/4 BOLT HEX HD ZINC GRADE 5	1
24	34110579				5/8"-11 HEX NUT ZINC	1
25	34110580				5/8" FLAT WASHER ZINC	2
26	34110256				3/8"-16X3" CARRIAGE BOLT ZINC GRADE A307	2
27	34110107				3/8"-16 HEX NUT ZINC	2
28	34110281				3/8" FLAT WASHER ZINC	2
29	73022415				SCREW #14X1-1/2 HX HD SDS 410 SS	5
30	61124157	BK	61124155	MF	BOLT-ON BARB WIRE UPRIGHT	TBD****
31	34110855				SCREW - 5/16-12 X 1-1/2 HWH SDS ZINC	TBD*****

NOTES:

- 1.) ITEM #18 TO #22 IS PART OF 61123551 HARDWARE KIT (SEE ITEM 2 - SHEET 1)
- 2.) ITEM #23 TO #25 IS PART OF 61123135 HARDWARE KIT (SEE ITEM 3 - SHEET 1)
- 3.) ITEM #26 TO #29 IS PART OF 61112841 HARDWARE KIT (SEE ITEM 4 - SHEET 1)
- 4.) U-BOLTS, NUTS AND WASHERS PROVIDED WITH BRACKETS AND RECEIVER.
- 5.) FOR MATTE BLACK KITS USE BLACK SCREWS
- 6.) FOR MATTE BRONZE KITS USE LIGHT BRONZE SCREWS

* - QUANTITY DETERMINED BY GATE HEIGHT - SEE TABLE BELOW

** - ONLY IF BARBED WIRE BRACE BAND REQUIRED



*** - SAME NUMBER AS CHAIN LINK TENSION BAND
+ 12 (IF BARBED WIRE BRACE BAND REQUIRED)

**** - QUANTITY DETERMINED BY NUMBER OF UPRIGHTS IN THE GATE OPENING

***** - NUMBER OF ITEMS FROM ROW 30 MULTIPLIED BY 2

GATE HEIGHT (FT)	NUMBER OF TENSION BANDS-PER SINGLE GATE
4	6
5	8
6	10
8	14

THE INFORMATION CONTAINED IN THIS DRAWING IS PROTECTED BY COPYRIGHT AND PATENT LAWS OF THE UNITED STATES AND OTHER COUNTRIES. ANY REPRODUCTION IN PART OR AS A WHOLE WITHOUT WRITTEN PERMISSION IS PROHIBITED.

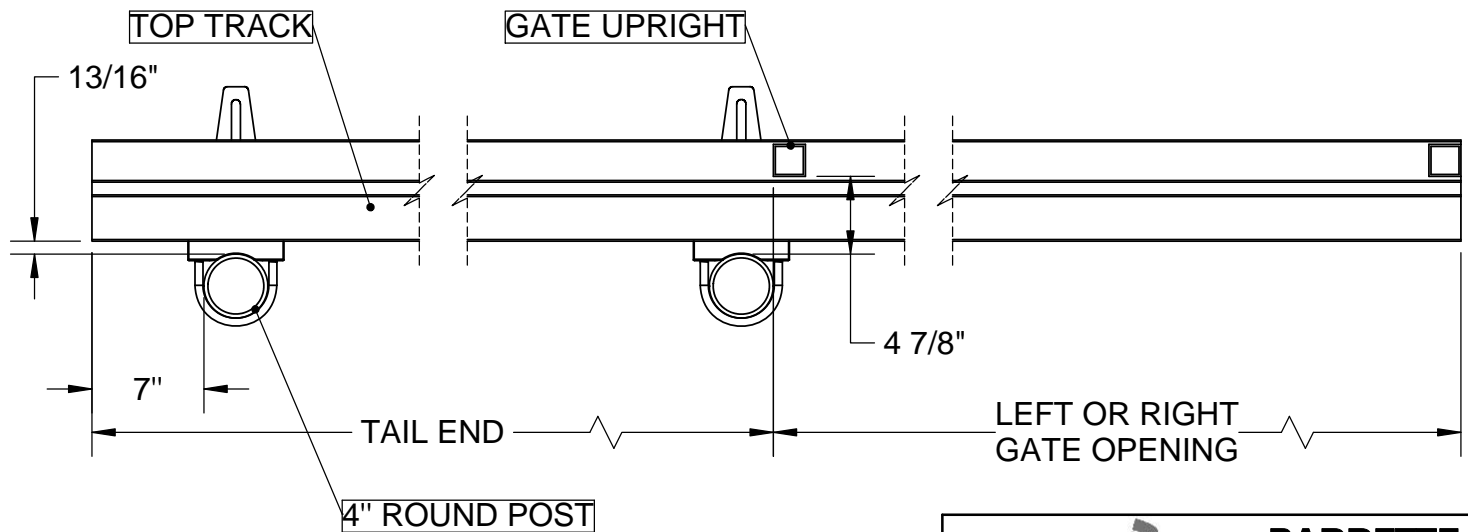
		BARRETTE Outdoor Living	
DRAWN: JS	DATE: 09/25/2017	APPROVED:	
DESCRIPTION: U-BOLT DBL CHLINK CNT SNG TRK INSTR RD			
SHEET 2 OF 13	REVISION:	PART NUMBER	
SCALE:		34110612	
WEIGHT:			

INSTALLATION PROCEDURE:

- 1.SET 4" ROUND POSTS IN THE GROUND - SEE POST LOCATION BELOW.
- 2.INSTALL TOP BRACKET (ITEM #5) AND WHEEL TROLLEY (ITEM #7) - SEE SHEET 4
- 3.INSTALL BTM BRACKET (ITEM #6) AND GUIDE WHEEL (ITEM #19) - SEE SHEET 5
- 4.PLACE GATE IN THE POSITION - SLIDE GATE TOP TRACK INTO WHEEL TROLLEY (ITEM #7) AND BTM ROLLER GUIDE ON GUIDE WHEEL (ITEM #19) - SEE SHEET 6
- 5.INSTALL RECEIVER DBL (ITEM #8) AND RECEIVER GATE (ITEM #9)- SEE SHEET 7
- 6.INSTALL GATE STOP (BOLT-ITEM #23,NUT- ITEM #24,WASHERS-ITEM # 25) ON THE END OF THE TRACK - SEE SHEET 8 (**ONE GATE STOP REQUIRED ONLY - PER LEAF**)
- 7.INSTALL COVER-TOP TRACK (ITEM #10) ON THE END OF THE TOP TRACK - SEE SHEET 9
- 8.INSTALL COVER-BTM FRAME (ITEM #11) ON THE END OF THE BTM FRAME - SEE SHEET 10
- 9.INSTALL TENSION BANDS (ITEM #14) ON THE UPRIGHT - SEE SHEET 11 (IF REQUIRED)
- 10.INSTALL BARBED WIRE TENSION UPRIGHTS (ITEM #30) ON TOP TRACK. UPRIGHTS NEEDS TO BE WELDED (BY MANUFACTURER) OR BOLTED (BY CUSTOMER) - SEE SHEET 12 (IF REQUIRED)
- 11.INSTALL BARBED WIRE TENSION BANDS (ITEM #15) ON THE UPRIGHT - SEE SHEET 13 (IF REQUIRED)

NOTE:

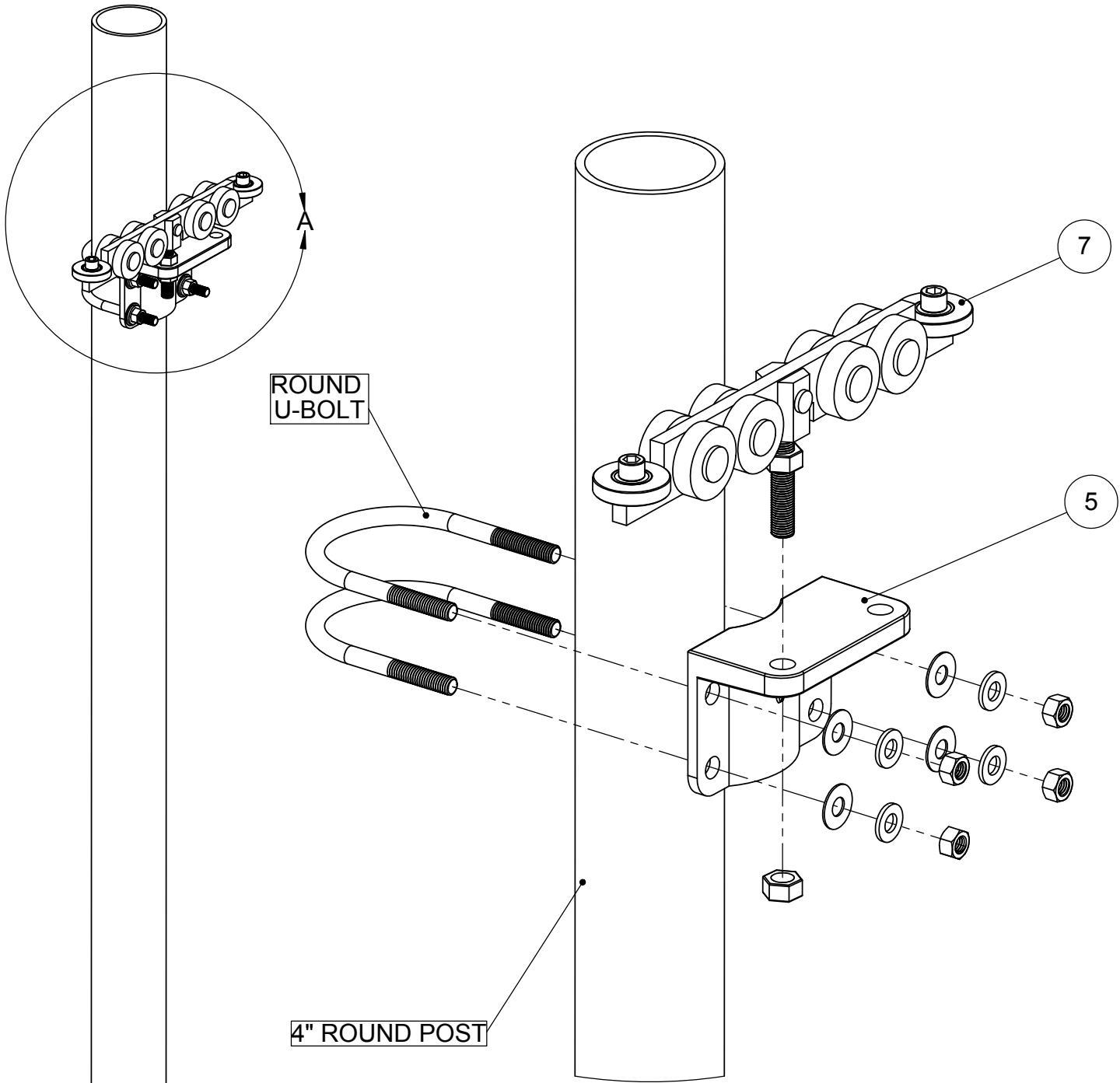
- **APPLY GREASE (ITEM #13) ON THE SHOULDER BOLTS (ITEM #18), INSIDE GUIDE WHEELS (ITEM # 19) AND TOP OF NYLON WASHER (ITEM #20). MAINTAIN GREASE EVERY 4 TO 6 MONTHS.**



**POST LOCATION DETAIL
SCALE 1:12**

THE INFORMATION CONTAINED IN THIS DRAWING IS PROTECTED BY COPYRIGHT AND PATENT LAWS OF THE UNITED STATES AND OTHER COUNTRIES. ANY REPRODUCTION IN PART OR AS A WHOLE WITHOUT WRITTEN PERMISSION IS PROHIBITED.

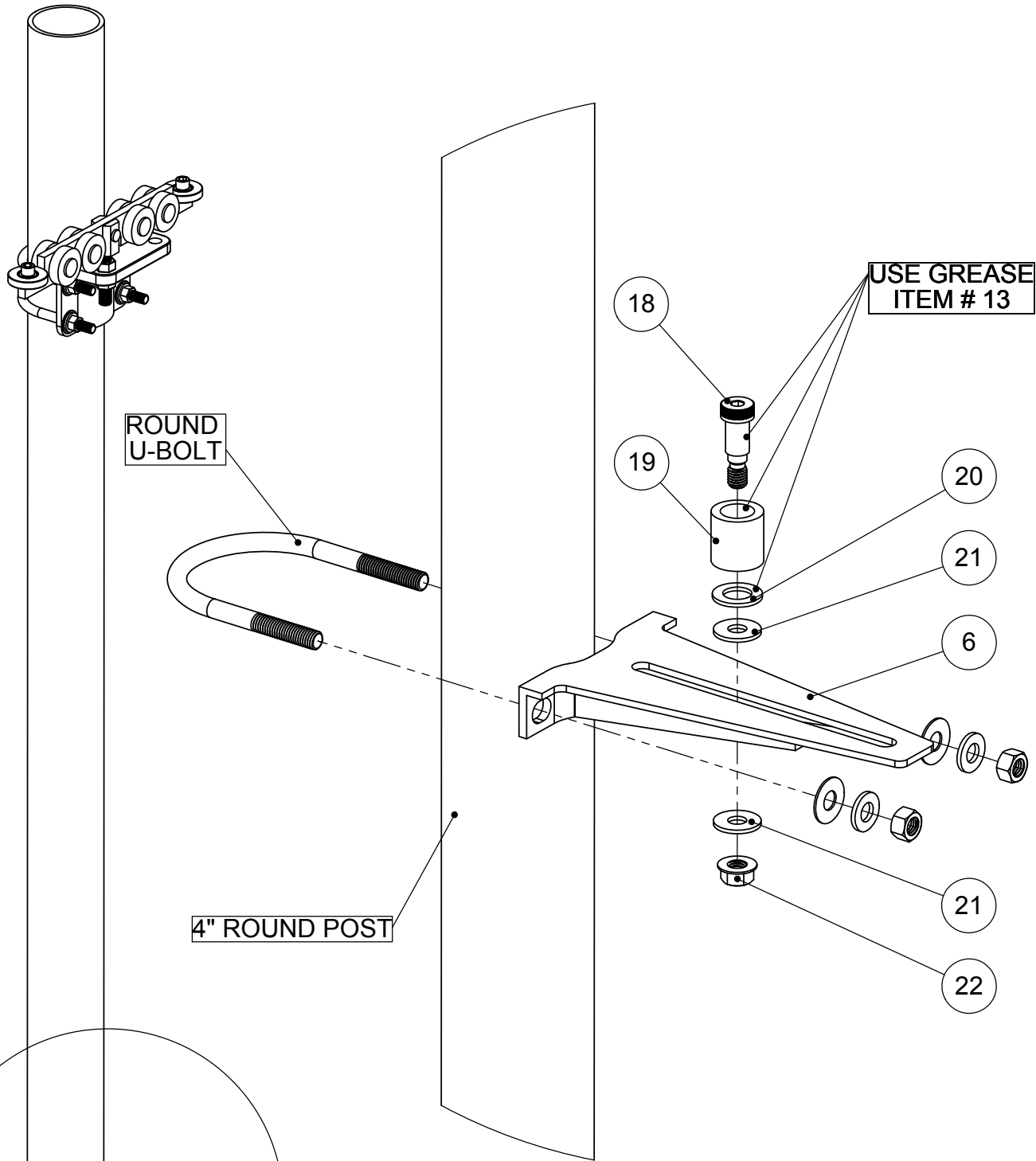
Barrette		BARRETTE Outdoor Living	
DRAWN: JS	DATE: 09/25/2017	APPROVED:	
DESCRIPTION: U-BOLT DBL CHLINK CNT SNG TRK INSTR RD			
SHEET 3 OF 13	REVISION	PART NUMBER	
SCALE 1:12	0	34110612	
WEIGHT:			



DETAIL A - TOP BRACKET
SCALE 1 : 4

Barrette		BARRETTE Outdoor Living	
DRAWN: JS	DATE: 09/25/2017	APPROVED:	
DESCRIPTION: U-BOLT DBL CHLINK CNT SNG TRK INSTR RD			
SHEET 4 OF 13	REVISION	PART NUMBER	
SCALE 1:4	0	34110612	
WEIGHT:			

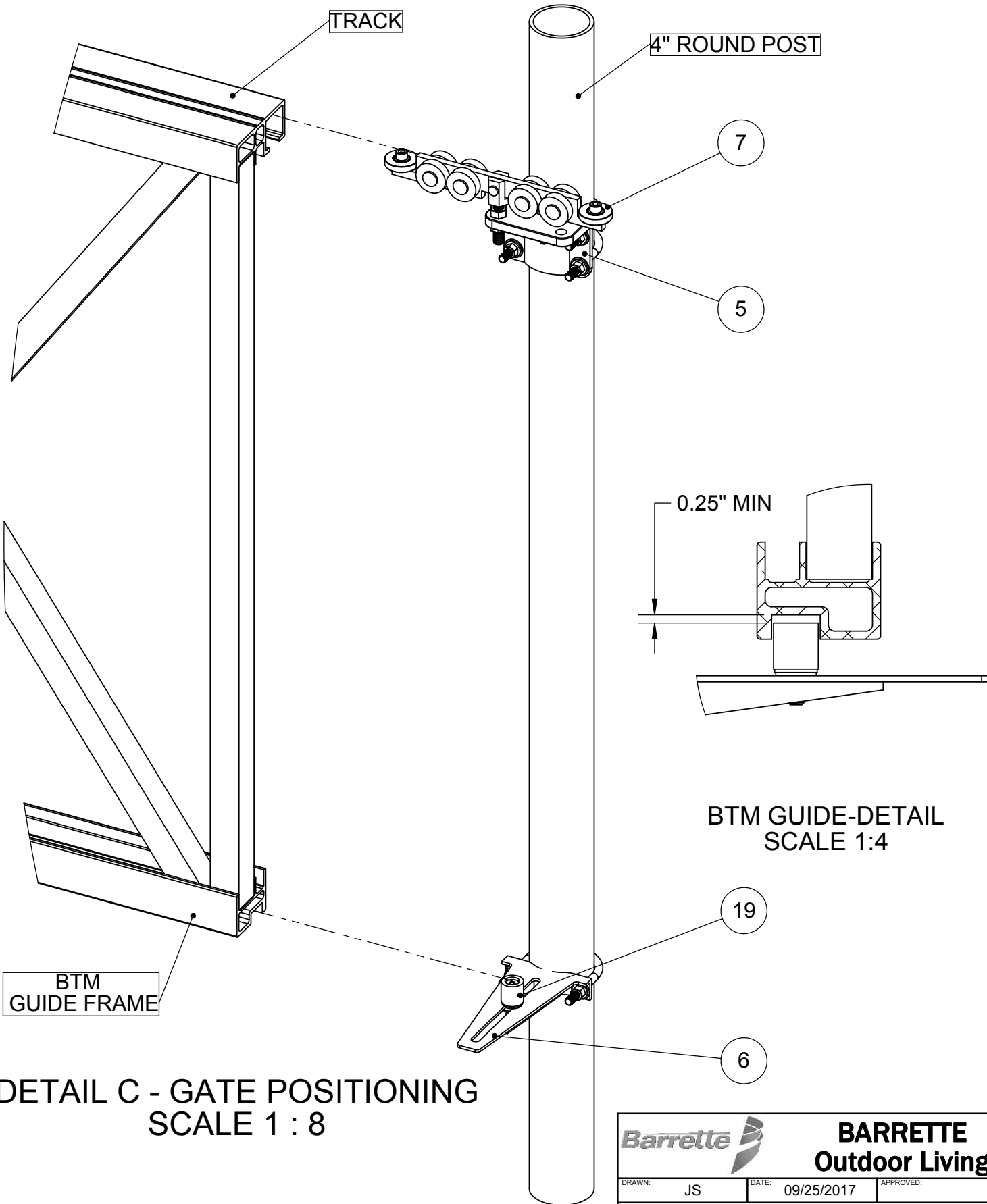
THE INFORMATION CONTAINED IN THIS DRAWING IS PROTECTED BY COPYRIGHT AND PATENT LAWS OF THE UNITED STATES AND OTHER COUNTRIES. ANY REPRODUCTION IN PART OR AS A WHOLE WITHOUT WRITTEN PERMISSION IS PROHIBITED.



DETAIL B - BTM BRACKET
SCALE 1 : 4

THE INFORMATION CONTAINED IN THIS DRAWING IS PROTECTED BY COPYRIGHT AND PATENT LAWS OF THE UNITED STATES AND OTHER COUNTRIES. ANY REPRODUCTION IN PART OR AS A WHOLE WITHOUT WRITTEN PERMISSION IS PROHIBITED.

Barrette		BARRETTE Outdoor Living	
DRAWN: JS	DATE: 09/25/2017	APPROVED:	
DESCRIPTION: U-BOLT DBL CHLINK CNT SNG TRK INSTR RD			
SHEET 5 OF 13	REVISION	PART NUMBER	
SCALE 1:4	0	34110612	
WEIGHT:			



DETAIL C - GATE POSITIONING
SCALE 1 : 8

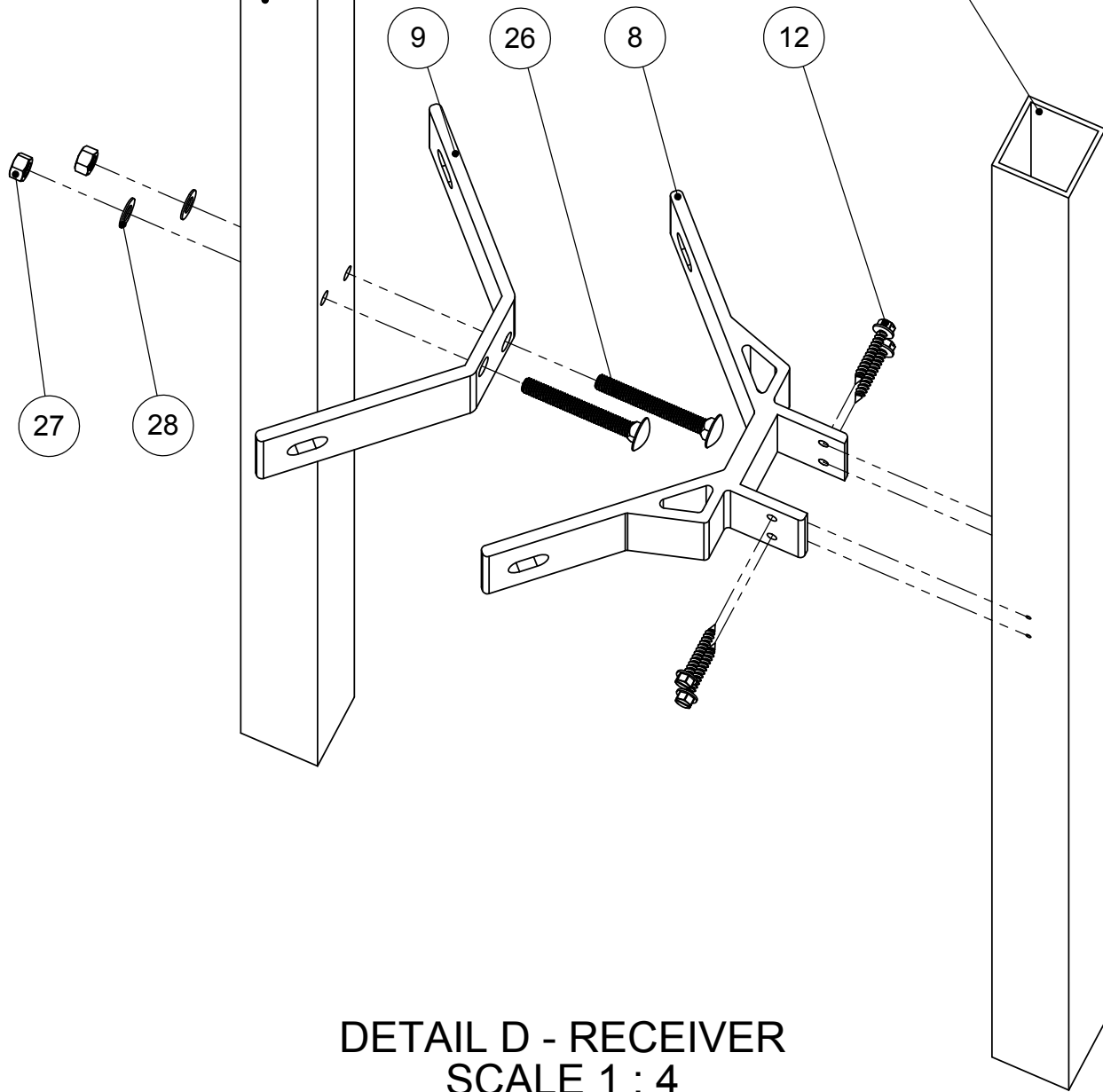
BTM GUIDE-DETAIL
SCALE 1:4

THE INFORMATION CONTAINED IN THIS DRAWING IS PROTECTED BY COPYRIGHT AND PATENT LAWS OF THE UNITED STATES AND OTHER COUNTRIES. ANY REPRODUCTION IN PART OR AS A WHOLE WITHOUT WRITTEN PERMISSION IS PROHIBITED.

Barrette		BARRETTE	
		Outdoor Living	
DRAWN: JS	DATE: 09/25/2017	APPROVED:	
DESCRIPTION: U-BOLT DBL CHLINK CNT SNG TRK INSTR RD			
SHEET 6 OF 13	REVISION	PART NUMBER	
SCALE 1:8	0	34110612	
WEIGHT:			

2" UPRIGHT
LEFT GATE

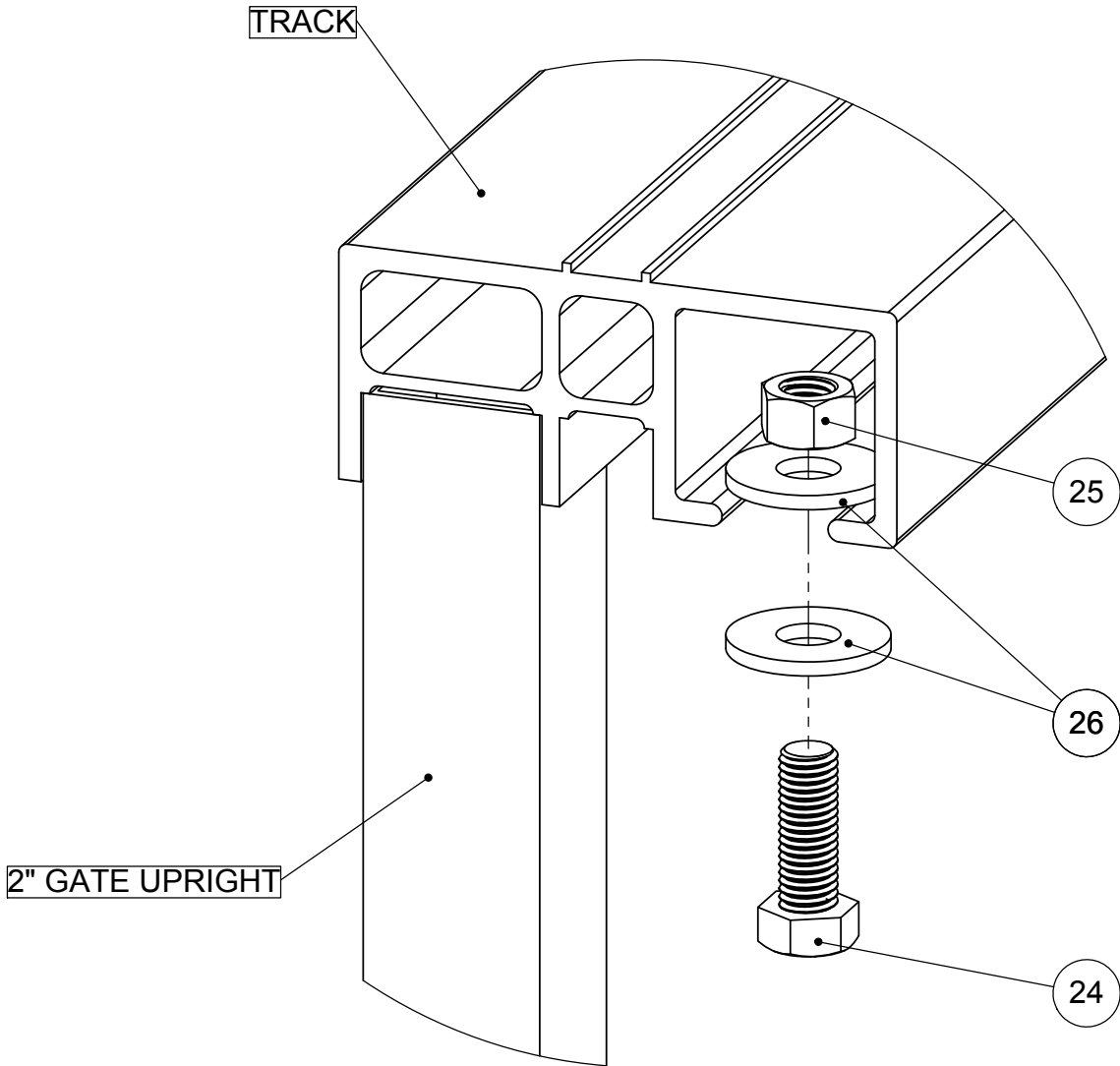
2" UPRIGHT
RIGHT GATE



DETAIL D - RECEIVER
SCALE 1 : 4

Barrette		BARRETTE Outdoor Living	
DRAWN: JS	DATE: 09/25/2017	APPROVED:	
DESCRIPTION: U-BOLT DBL CHLINK CNT SNG TRK INSTR RD			
SHEET 7 OF 13	REVISION	PART NUMBER	
SCALE 1:4	0	34110612	
WEIGHT:			

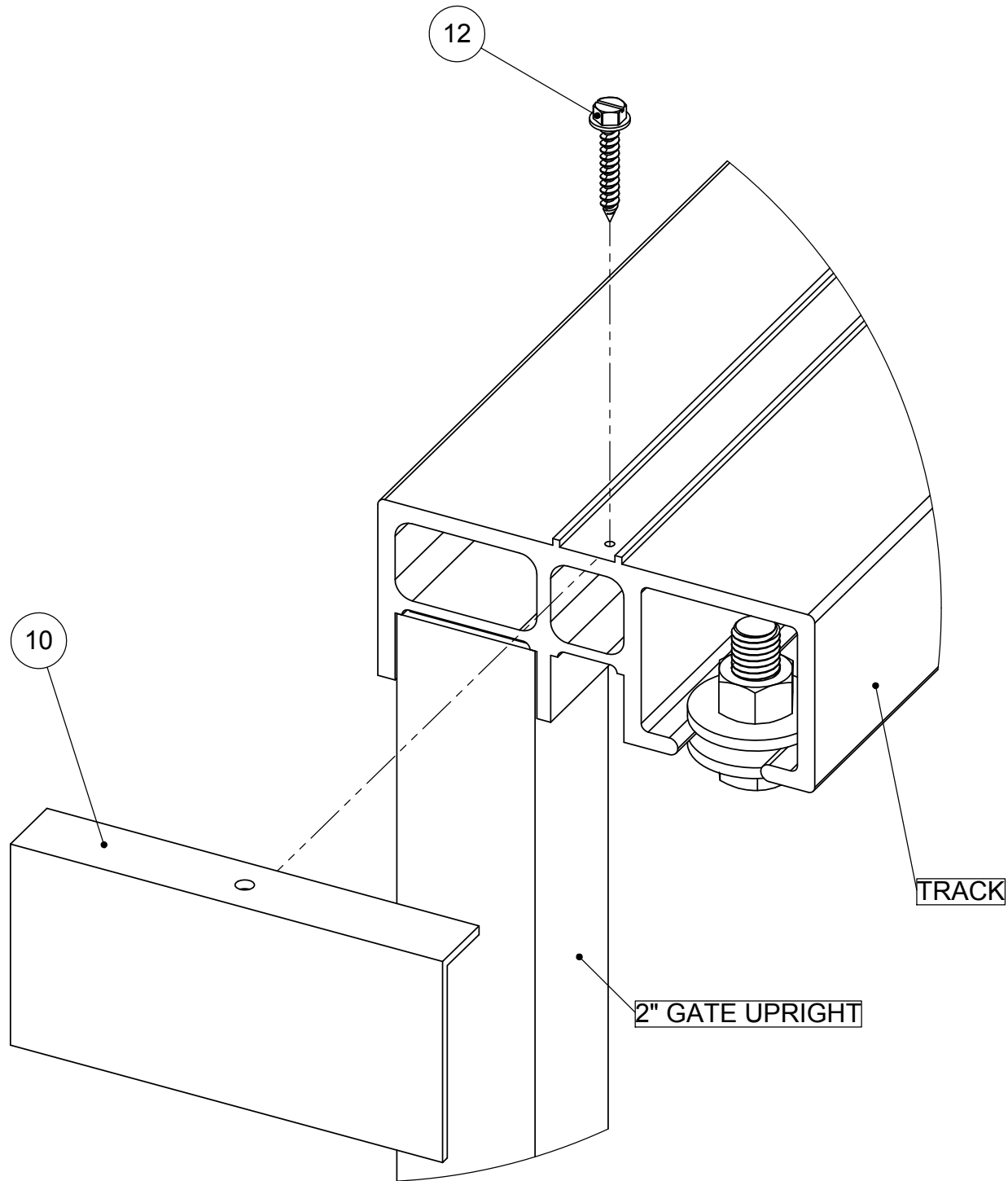
THE INFORMATION CONTAINED IN THIS DRAWING IS PROTECTED BY COPYRIGHT AND PATENT LAWS OF THE UNITED STATES AND OTHER COUNTRIES. ANY REPRODUCTION IN PART OR AS A WHOLE WITHOUT WRITTEN PERMISSION IS PROHIBITED.



DETAIL E - GATE STOP
SCALE 1 : 2

THE INFORMATION CONTAINED IN THIS DRAWING IS PROTECTED BY COPYRIGHT AND PATENT LAWS OF THE UNITED STATES AND OTHER COUNTRIES. ANY REPRODUCTION IN PART OR AS A WHOLE WITHOUT WRITTEN PERMISSION IS PROHIBITED.

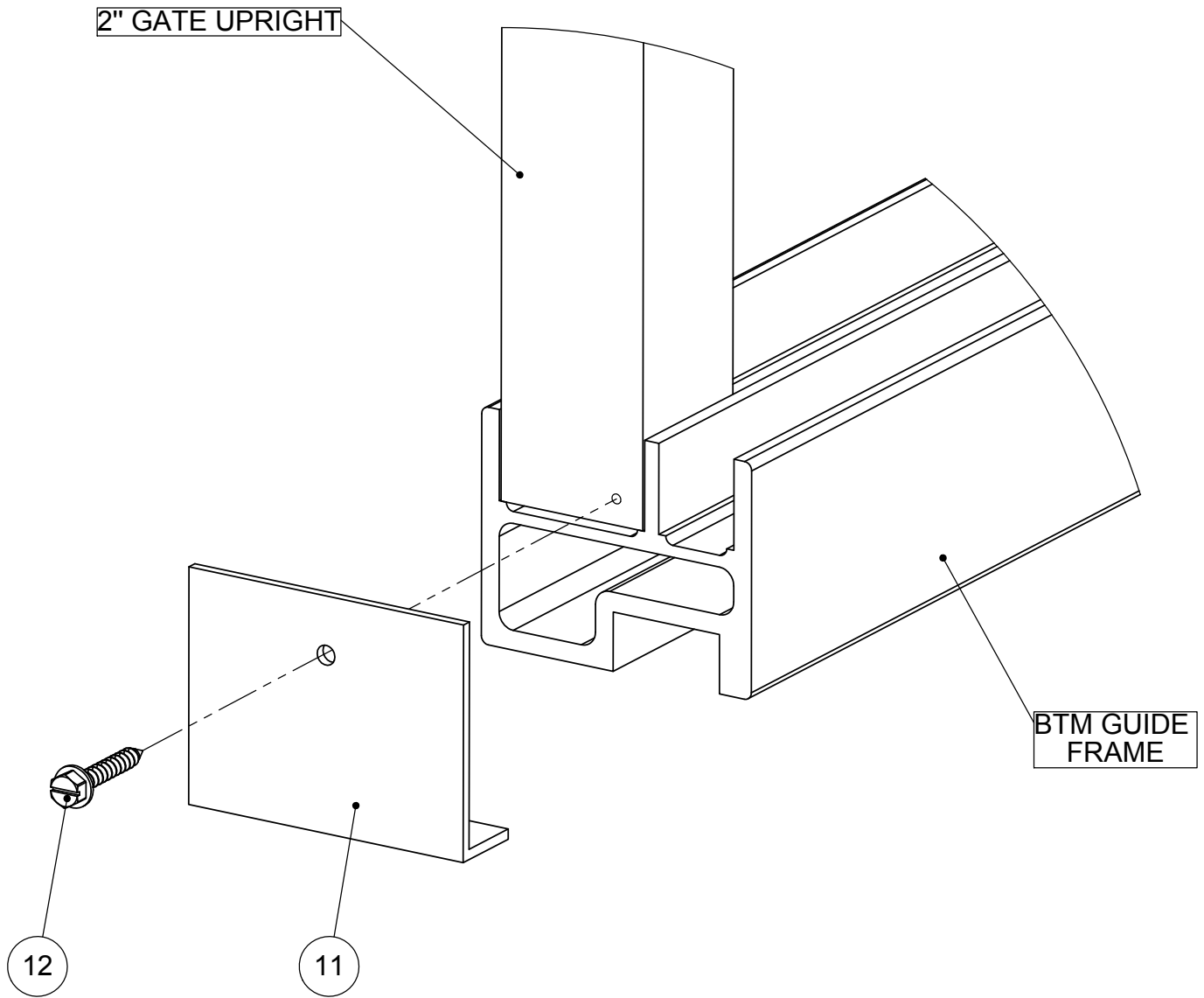
Barrette		BARRETTE Outdoor Living	
DRAWN: JS	DATE: 09/25/2017	APPROVED:	
DESCRIPTION: U-BOLT DBL CHLINK CNT SNG TRK INSTR RD			
SHEET 8 OF 13	REVISION	PART NUMBER	
SCALE 1:2	0	34110612	
WEIGHT:			



DETAIL F - END COVER-SINGLE TRACK
SCALE 1 : 2

THE INFORMATION CONTAINED IN THIS DRAWING IS PROTECTED BY COPYRIGHT AND PATENT LAWS OF THE UNITED STATES AND OTHER COUNTRIES. ANY REPRODUCTION IN PART OR AS A WHOLE WITHOUT WRITTEN PERMISSION IS PROHIBITED.

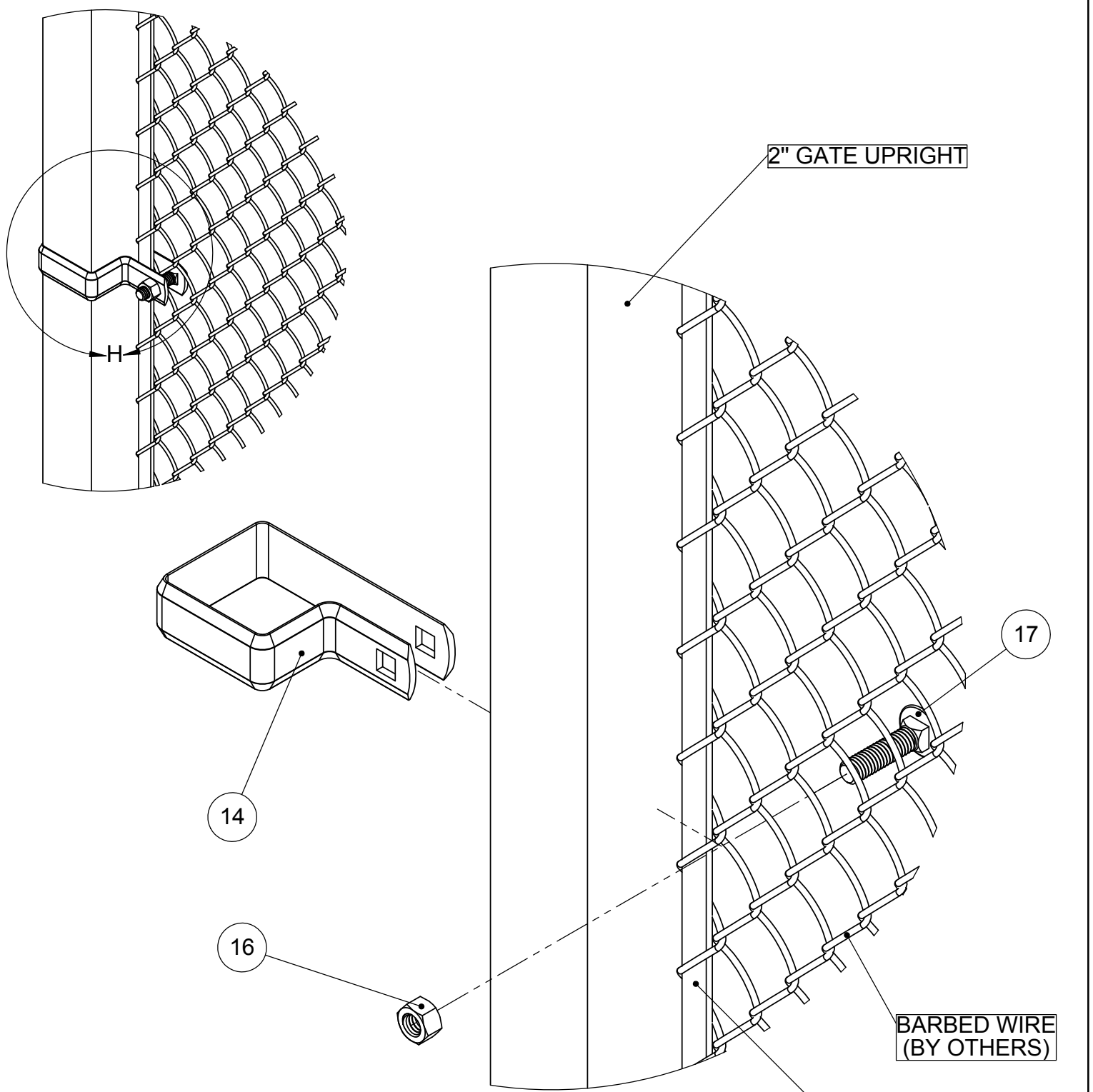
Barrette		BARRETTE Outdoor Living	
DRAWN: JS	DATE: 09/25/2017	APPROVED:	
DESCRIPTION: U-BOLT DBL CHLINK CNT SNG TRK INSTR RD			
SHEET 9 OF 13	REVISION	PART NUMBER	
SCALE 1:2	0	34110612	
WEIGHT:			



DETAIL G - END COVER-BTM GUIDE FRAME
SCALE 1 : 2

THE INFORMATION CONTAINED IN THIS DRAWING IS PROTECTED BY COPYRIGHT AND PATENT LAWS OF THE UNITED STATES AND OTHER COUNTRIES. ANY REPRODUCTION IN PART OR AS A WHOLE WITHOUT WRITTEN PERMISSION IS PROHIBITED.

Barrette		BARRETTE Outdoor Living	
DRAWN: JS	DATE: 09/25/2017	APPROVED:	
DESCRIPTION: U-BOLT DBL CHLINK CNT SNG TRK INSTR RD			
SHEET 10 OF 13	REVISION	PART NUMBER	
SCALE 1:2	0	34110612	
WEIGHT:			



DETAIL H - TENSION BAND
SCALE 1 : 2

THE INFORMATION CONTAINED IN THIS DRAWING IS PROTECTED BY COPYRIGHT AND PATENT LAWS OF THE UNITED STATES AND OTHER COUNTRIES. ANY REPRODUCTION IN PART OR AS A WHOLE WITHOUT WRITTEN PERMISSION IS PROHIBITED.

Barrette		BARRETTE Outdoor Living	
DRAWN: JS	DATE: 09/25/2017	APPROVED:	
DESCRIPTION: U-BOLT DBL CHLINK CNT SNG TRK INSTR RD			
SHEET 11 OF 13	REVISION: 0	PART NUMBER: 34110612	
SCALE 1:2			
WEIGHT:			

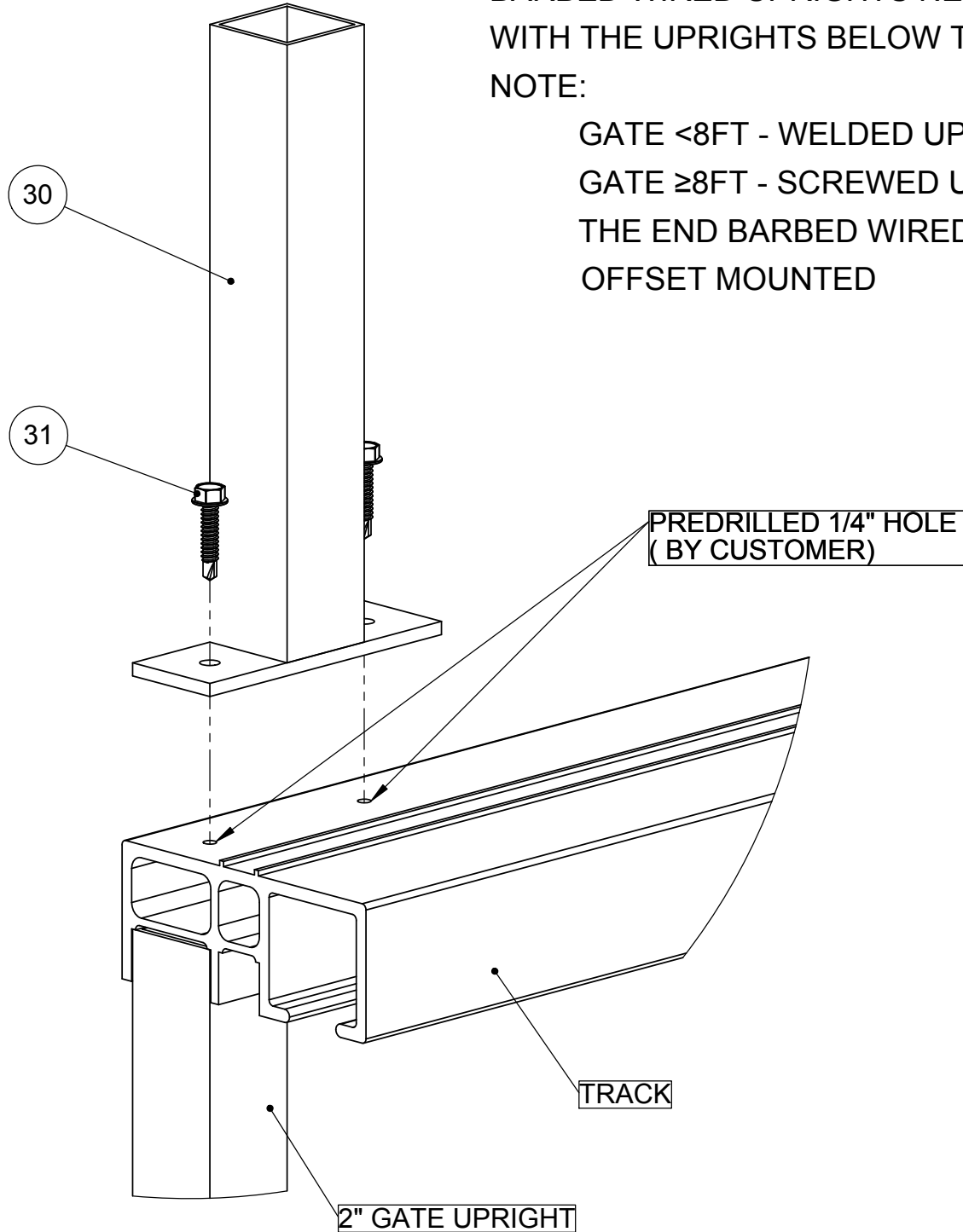
BARBED WIRED UPRIGHTS NEED TO ALIGN WITH THE UPRIGHTS BELOW TOP FRAME.

NOTE:

GATE <8FT - WELDED UPRIGHT

GATE ≥8FT - SCREWED UPRIGHT

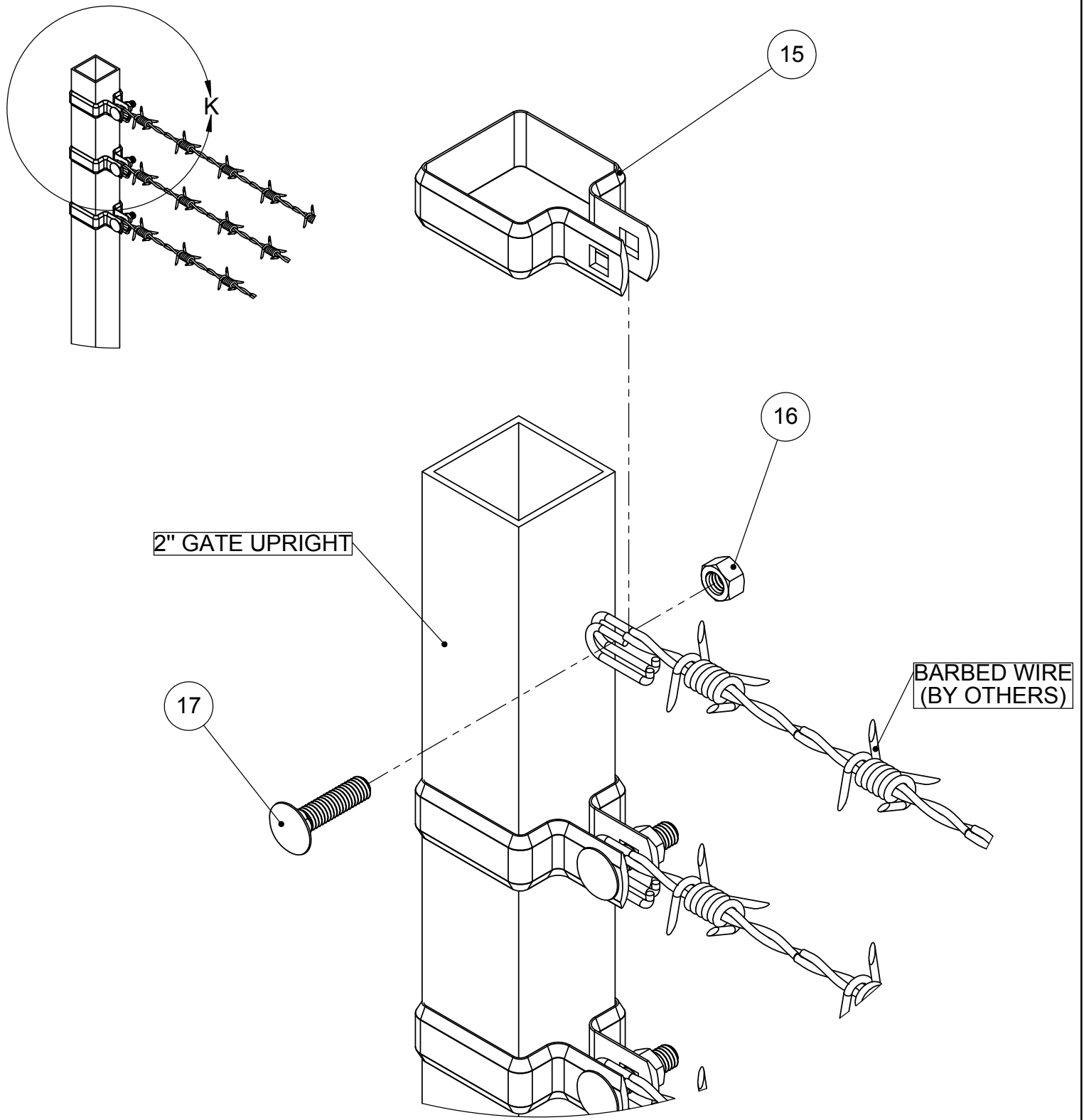
THE END BARBED WIRED UPRIGHT IS OFFSET MOUNTED



DETAIL J - BARBED WIRED UPRIGHT
SCALE 1 : 3

THE INFORMATION CONTAINED IN THIS DRAWING IS PROTECTED BY COPYRIGHT AND PATENT LAWS OF THE UNITED STATES AND OTHER COUNTRIES. ANY REPRODUCTION IN PART OR AS A WHOLE WITHOUT WRITTEN PERMISSION IS PROHIBITED.

Barrette		BARRETTE Outdoor Living	
DRAWN: JS	DATE: 09/25/2017	APPROVED:	
DESCRIPTION: U-BOLT DBL CHLINK CNT SNG TRK INSTR RD			
SHEET 12 OF 13	REVISION	PART NUMBER	
SCALE 1:3	0	34110612	
WEIGHT:			

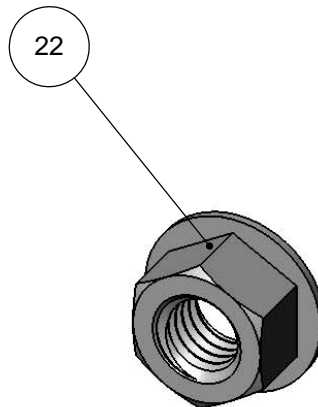
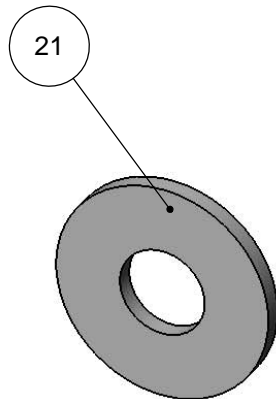
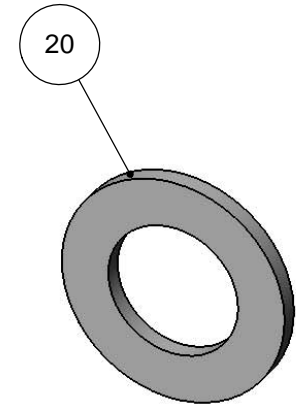
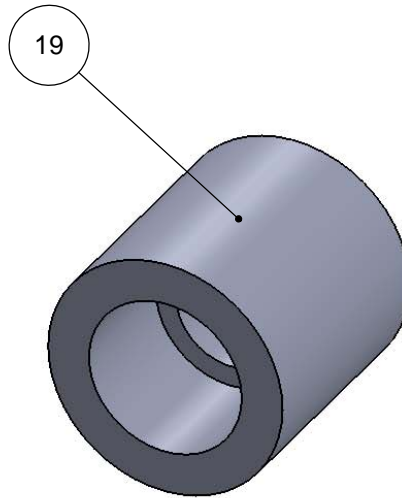
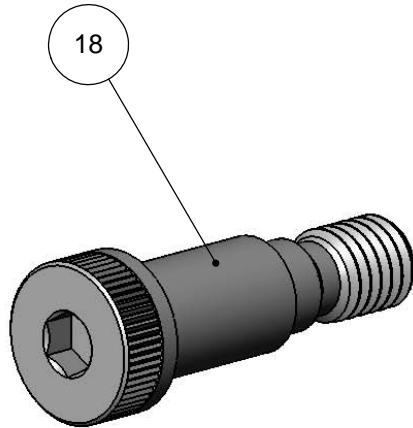


DETAIL K - BARBED WIRE BRACE BAND
SCALE 1 : 2

THE INFORMATION CONTAINED IN THIS DRAWING IS PROTECTED BY COPYRIGHT AND PATENT LAWS OF THE UNITED STATES AND OTHER COUNTRIES. ANY REPRODUCTION IN PART OR AS A WHOLE WITHOUT WRITTEN PERMISSION IS PROHIBITED.

Barrette		BARRETTE Outdoor Living	
DRAWN: JS	DATE: 09/25/2017	APPROVED:	
DESCRIPTION: U-BOLT DBL CHLINK CNT SNG TRK INSTR RD			
SHEET 13 OF 13	REVISION	PART NUMBER	
SCALE 1:2	0	34110612	
WEIGHT:			

ITEM #	PART #	DESCRIPTION	QTY
18	34110589	5/8" SHOULDER BOLT 1.25" LONG STEEL	1
19	34110287	1.43" DIA. DERLIN GUIDE WHEEL	1
20	34110215	NYLON WASHER .08x1.25x.75 ID	1
21	34110590	7/16" FLAT WASHER ZINC	2
22	34110591	1/2"-13 FLANGE NUT ZINC	1

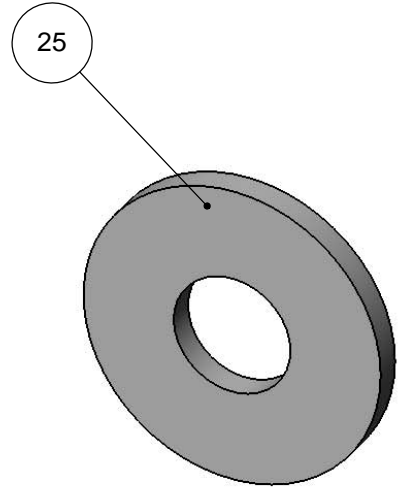
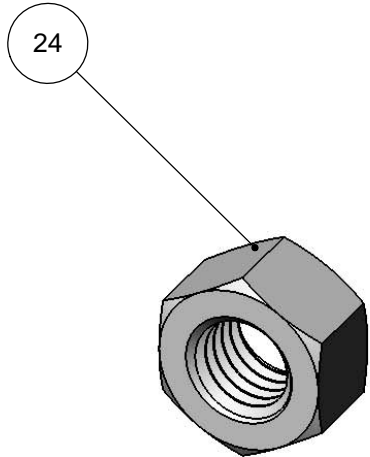
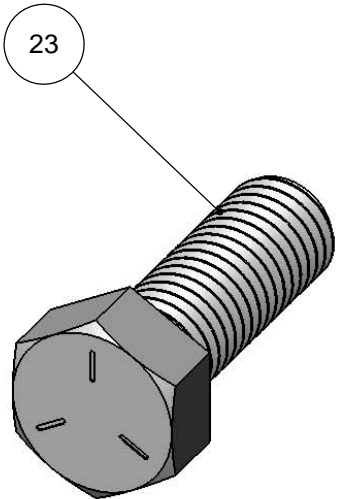


NOTE:
KIT ASSEMBLED AT HARDWARE DEPARTMENT.

THE INFORMATION CONTAINED IN THIS DRAWING IS PROTECTED BY COPYRIGHT AND PATENT LAWS OF THE UNITED STATES AND OTHER COUNTRIES. ANY REPRODUCTION IN PART OR AS A WHOLE WITHOUT WRITTEN PERMISSION IS PROHIBITED.

		BARRETTE Outdoor Living	
DRAWN: JS	DATE: 09/22/2017	APPROVED:	
DESCRIPTION: HARDWARE KIT - GUIDE BRACKET ROUND POST			
SHEET 1 OF 1	REVISION	PART NUMBER	
SCALE 1:1	0	61123551	
WEIGHT:			

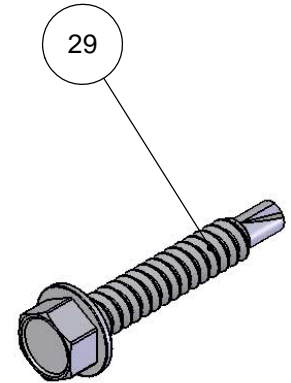
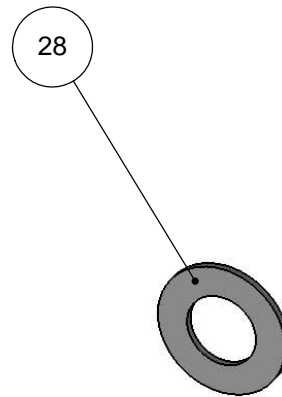
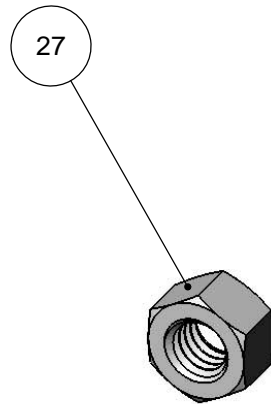
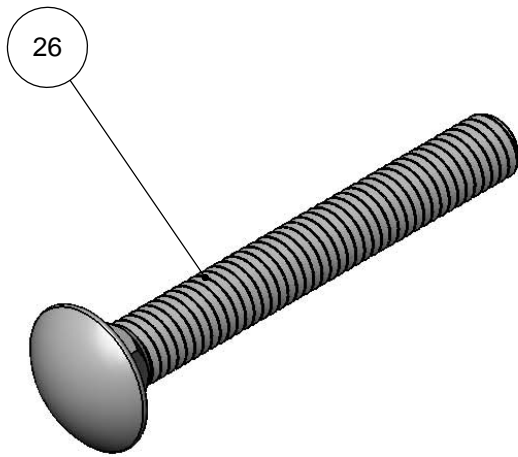
ITEM #	PART #	DESCRIPTION	QTY
23	34110578	5/8"-11X1-3/4 BOLT HEX HD ZINC GRADE 5	1
24	34110579	5/8"-11 HEX NUT ZINC	1
25	34110580	5/8" FLAT WASHER ZINC	2



THE INFORMATION CONTAINED IN THIS DRAWING IS PROTECTED BY COPYRIGHT AND PATENT LAWS OF THE UNITED STATES AND OTHER COUNTRIES. ANY REPRODUCTION IN PART OR AS A WHOLE WITHOUT WRITTEN PERMISSION IS PROHIBITED.

		BARRETTE Outdoor Living	
DRAWN: JS	DATE: 09/22/2017	APPROVED:	
DESCRIPTION: HARDWARE KIT CANTILEVER GATE STOP			
SHEET 1 OF 1	REVISION	PART NUMBER	
SCALE 1:1		61123135	
WEIGHT:			

ITEM #	PART #	DESCRIPTION	QTY
26	34110256	3/8"-16x3" CARRIAGE BOLT ZINC GRADE A307	2
27	34110107	3/8"-16 HEX NUT ZINC	2
28	34110281	3/8" WASHER ZINC	2
29	73022415	SCREW #14X1-1/2 HX HD SDS 410 SS	5



THE INFORMATION CONTAINED IN THIS DRAWING IS PROTECTED BY COPYRIGHT AND PATENT LAWS OF THE UNITED STATES AND OTHER COUNTRIES. ANY REPRODUCTION IN PART OR AS A WHOLE WITHOUT WRITTEN PERMISSION IS PROHIBITED.

		BARRETTE Outdoor Living	
DRAWN: JS	DATE: 09/25/2017	APPROVED:	
DESCRIPTION: HARDWARE KIT - T-SLOT RECEIVER			
SHEET 1 OF 1	REVISION	PART NUMBER	
SCALE 1:1	0	61112841	
WEIGHT:			