

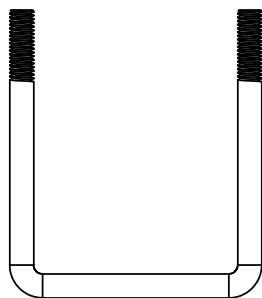
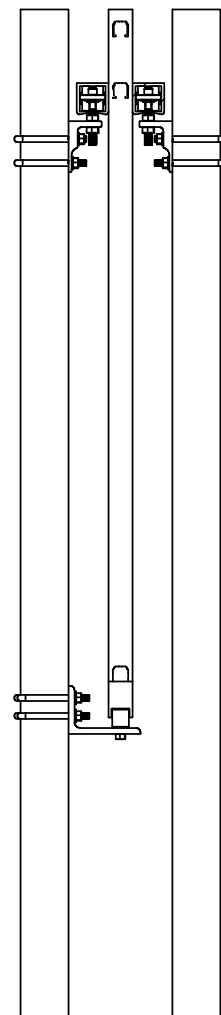


U-BOLT SINGLE CANTILEVER

DOUBLE SIDE TRACK LWR INT GUIDE


Installation Kit - Instructions 4"

SKU	COLOR
61123070	BEIGE
61123071	BLACK
61123072	FLORIDA BRONZE
61123073	GREEN
61123074	GRAY
61123075	LIGHT BRONZE
61118986	MATTE BLACK
61111345	MILL
61118987	MATTE BRONZE
61123076	WHITE



ITEM #	PART #				DESCRIPTION	QTY
1	34110407				U-BOLT SINGLE CANTILEVER DOUBLE SIDE TRACK LOWER INTERIOR GUIDE 4" -INSTRUCTIONS	1
2	34110397				U-BOLT SINGLE CANTILEVER DOUBLE SIDE TRACK LOWER INTERIOR GUIDE 4" -HARDWARE KIT	1
3	61123135				HARDWARE KIT CANTILEVER GATE STOP	2
4	61123003	BG	61123008	LB	U-BOLT SIDE TROLLEY BRACKET 4"	4
	61123004	BK	61119103	MB		
	61123005	BZ	61111353	MF		
	61123006	GR	61119104	MZ		
	61123007	GY	61123009	WH		
5	61123017	BG	61123022	LB	U-BOLT BTM GUIDE BRACKET 4"	2
	61123018	BK	61119107	MB		
	61123019	BZ	61111355	MF		
	61123020	GR	61119108	MZ		
	61123021	GY	61123023	WH		
6	34110853				TROLLEY 4 WHEEL TA-100	4
7	61111181	BG	61111186	LB	T-SLOT RECEIVER POST 4"	1
	61111182	BK	61118428	MB		
	61111183	BZ	61111187	MF		
	61111184	GR	61118429	MZ		
	61111185	GY	61111188	WH		
8	61111173	BG	61111178	LB	T-SLOT RECEIVER GATE	1
	61111174	BK	61119093	MB		
	61111175	BZ	61111179	MF		
	61111176	GR	61119094	MZ		
	61111177	GY	61111180	WH		
9	73022729	BG	61111036	LB	COVER CANTILEVER GATE TRACK	2
	73022730	BK	61119087	MB		
	73022731	BZ	61111037	MF		
	73022732	GR	61119088	MZ		
	61111035	GY	73022733	WH		
10	34110287				1.43" DIA. DERLIN GUIDE WHEEL	2
11	73022816	BG	73023210	GY	SCREW #14X1-1/2 HX HD SDS 410 SS	10
	73022817	BK	73022820	LB		
	73022818	BZ	73022415	MF		
	73022819	GR	73022821	WH		

THE INFORMATION CONTAINED IN THIS DRAWING IS PROTECTED BY COPYRIGHT AND PATENT LAWS OF THE UNITED STATES AND OTHER COUNTRIES. ANY REPRODUCTION IN PART OR AS A WHOLE WITHOUT WRITTEN PERMISSION IS PROHIBITED.



		BARRETTE Outdoor Living	
DRAWN: TC	DATE: 07/27/2017	APPROVED:	
DESCRIPTION: U-BOLT SNGL CNT DBLTRACK LGUIDE INSTR 4"			
SHEET 1 OF 9	REVISION:	PART NUMBER	
SCALE:		34110407	
WEIGHT:			

12	73022648	BG	73022652	GY	SCREW #10X1 HX HD SDS 410 SS	4
	73022649	BK	73022653	LB		
	73022650	BZ	73022337	MF		
	73022651	GR	73022655	WH		
13	34110341			GREASE 3 OZ.		1
14	34110442			U-BOLT 1/2"-13x4" SQ ZINC		12
15	34110251			1/2" SPLIT LOCK WASHER ZINC		24
16	34110252			1/2"-13 HEX NUT ZINC		26
17	34110257			5/8" SHOULDER BOLT 1" LONG STEEL		2
18	34110215			NYLON WASHER .08x1.25x.75 ID		2
19	34110256			3/8"-16x3" CARRIAGE BOLT ZINC GRADE A307		2
20	34110107			3/8"-16 HEX NUT ZINC		2
21	34110281			3/8" WASHER ZINC		2
22	34110578			5/8"-11X1-3/4 BOLT HEX HD ZINC GRADE 5		1
23	34110579			5/8"-11 HEX NUT ZINC		1
24	34110580			5/8" FLAT WASHER ZINC		2

NOTE:

- 1.) ITEM #14 TO #21 IS PART OF 34110397 HARDWARE KIT (SEE SHEET 1-ITEM 2)
- 2.) ITEM #22 TO #24 IS PART OF 61123135 HARDWARE KIT (SEE SHEET 1-ITEM 3)
- 3.) FOR MATTE BLACK KITS USE BLACK SCREWS
- 4.) FOR MATTE BRONZE KITS USE LIGHT BRONZE SCREWS

THE INFORMATION CONTAINED IN THIS DRAWING IS PROTECTED BY COPYRIGHT AND PATENT LAWS OF THE UNITED STATES AND OTHER COUNTRIES. ANY REPRODUCTION IN PART OR AS A WHOLE WITHOUT WRITTEN PERMISSION IS PROHIBITED.

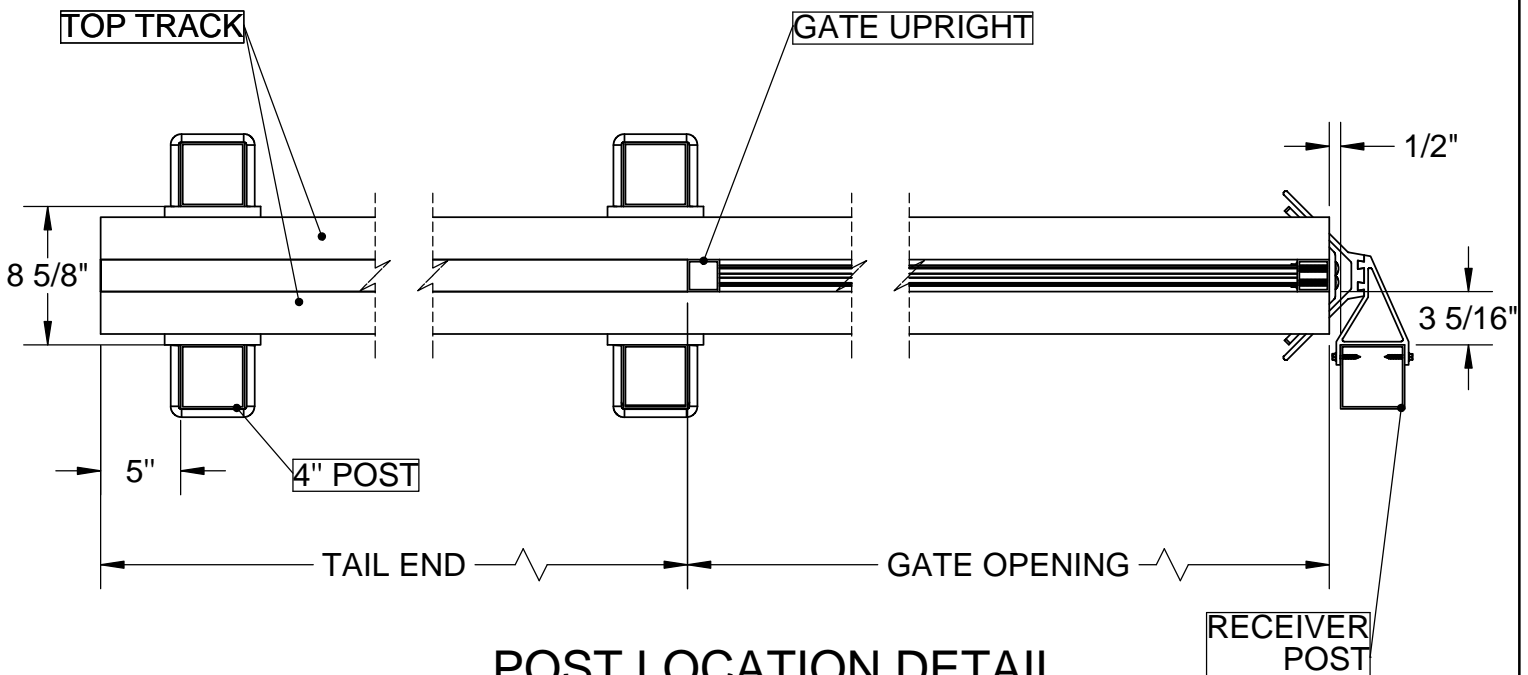
		BARRETTE Outdoor Living	
DRAWN: TC	DATE: 07/27/2017	APPROVED:	
DESCRIPTION: U-BOLT SNGL CNT DBLTRACK LGUIDE INSTR 4"			
SHEET 2 OF 9	REVISION:	PART NUMBER	
SCALE:		34110407	
WEIGHT:			

INSTALLATION PROCEDURE:

1. SET 4" POSTS IN THE GROUND - SEE POST LOCATION BELOW.
2. INSTALL TOP BRACKET (ITEM #4) AND WHEEL TROLLEY (ITEM #6) - SEE SHEET 4
3. INSTALL BTM BRACKET (ITEM #5) AND GUIDE WHEEL (ITEM #10) - SEE SHEET 5
4. PLACE GATE IN THE POSITION - SLIDE GATE TOP TRACK INTO WHEEL TROLLEY (ITEM #6) AND BTM ROLLER GUIDE ON GUIDE WHEEL (ITEM #10) - SEE SHEET 6
5. INSTALL POST RECEIVER (ITEM #7) AND GATE RECEIVER (ITEM #8) - SEE SHEET 7
6. INSTALL GATE STOP (BOLT-ITEM #22,NUT- ITEM #23, WASHERS-ITEM # 24) ON THE END OF THE TRACK - SEE SHEET 8 (**ONE GATE STOP REQUIRED ONLY - PER LEAF**)
7. INSTALL COVER TRACK (ITEM # 9) ON THE END OF THE TRACK - SEE SHEET 9

NOTE:

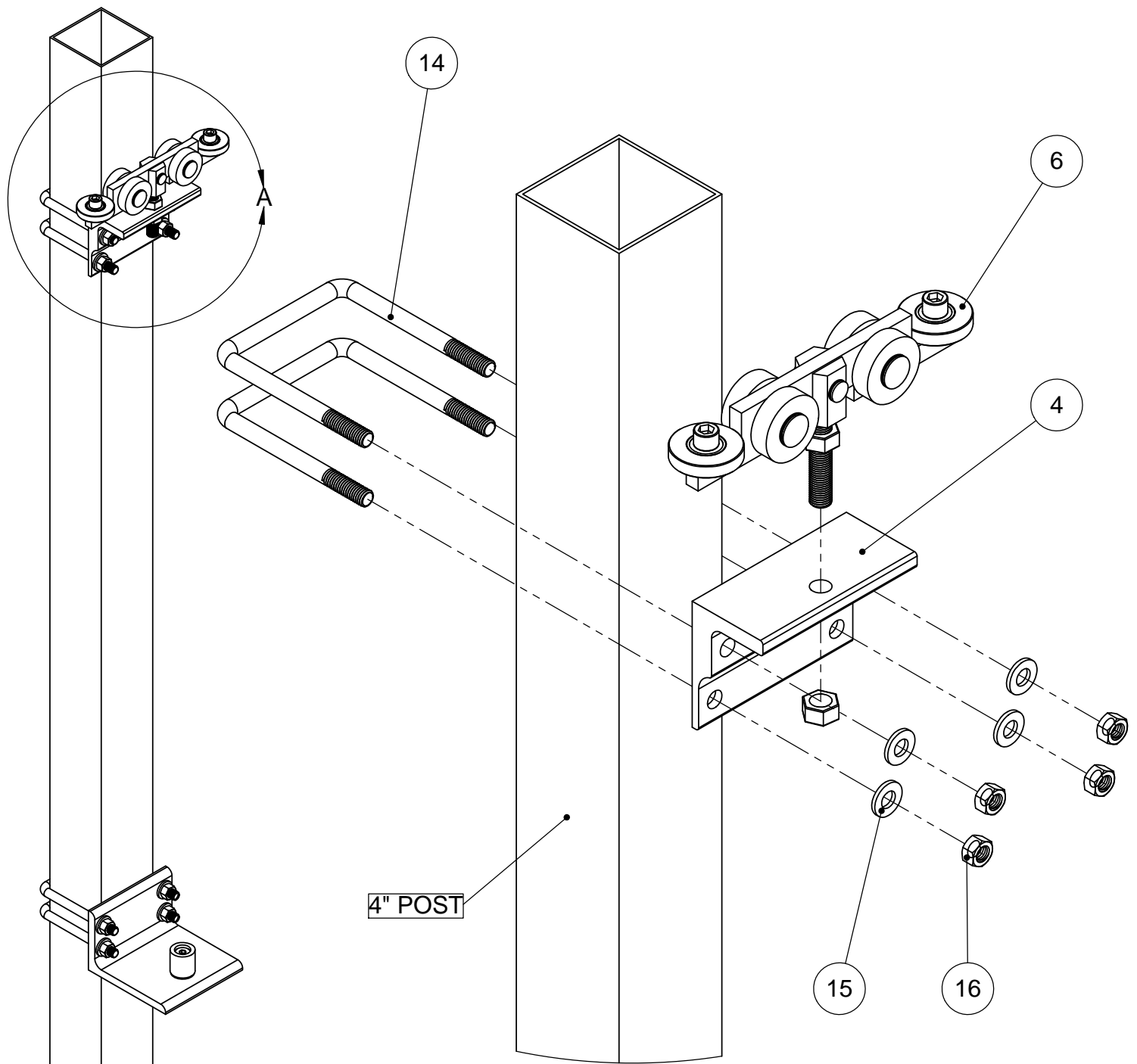
- APPLY GREASE (ITEM #13) ON THE SHOULDER BOLTS (ITEM #17), INSIDE GUIDE WHEELS (ITEM # 10) AND TOP OF NYLON WASHER (ITEM #18). MAINTAIN GREASE EVERY 4 TO 6 MONTHS.



POST LOCATION DETAIL
SCALE 1:12

THE INFORMATION CONTAINED IN THIS DRAWING IS PROTECTED BY COPYRIGHT AND PATENT LAWS OF THE UNITED STATES AND OTHER COUNTRIES. ANY REPRODUCTION IN PART OR AS A WHOLE WITHOUT WRITTEN PERMISSION IS PROHIBITED.

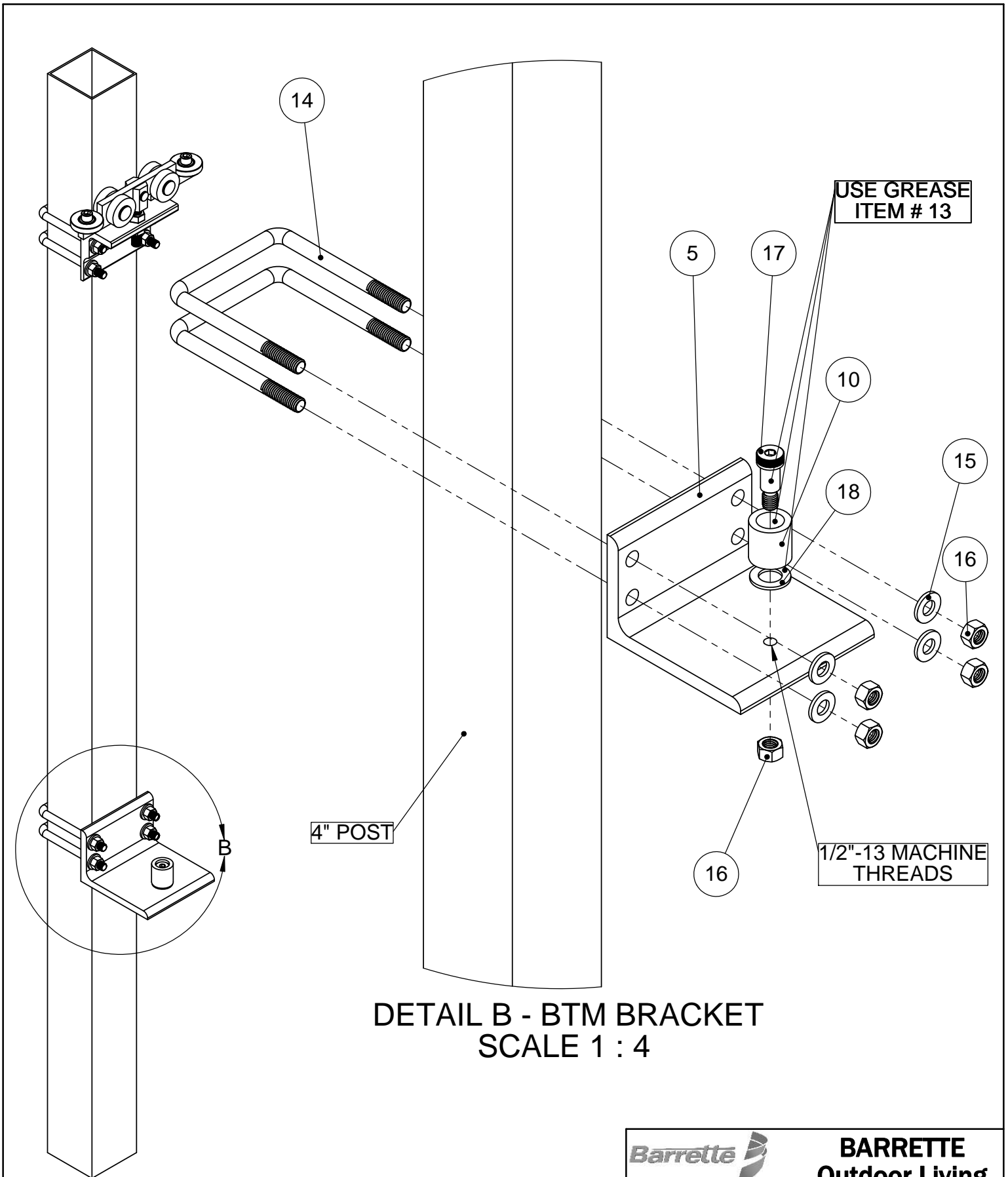
Barrette		BARRETTE Outdoor Living	
DRAWN: TC	DATE: 07/27/2017	APPROVED:	
DESCRIPTION: U-BOLT SNGL CNT DBLTRACK LGUIDE INSTR 4"			
SHEET 3 OF 9	REVISION	PART NUMBER	
SCALE 1:12	0	34110407	
WEIGHT:			



DETAIL A - TOP BRACKET
SCALE 1 : 4

THE INFORMATION CONTAINED IN THIS DRAWING IS PROTECTED BY COPYRIGHT AND PATENT LAWS OF THE UNITED STATES AND OTHER COUNTRIES. ANY REPRODUCTION IN PART OR AS A WHOLE WITHOUT WRITTEN PERMISSION IS PROHIBITED.

Barrette		BARRETTE Outdoor Living	
DRAWN: TC	DATE: 07/27/2017	APPROVED:	
DESCRIPTION: U-BOLT SNGL CNT DBLTRACK LGUIDE INSTR 4"			
SHEET 4 OF 9	REVISION	PART NUMBER	
SCALE 1:4	0	34110407	
WEIGHT:			

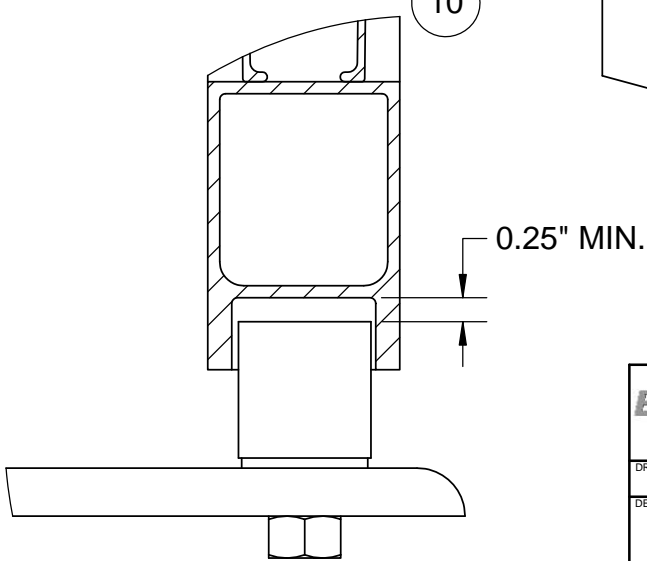
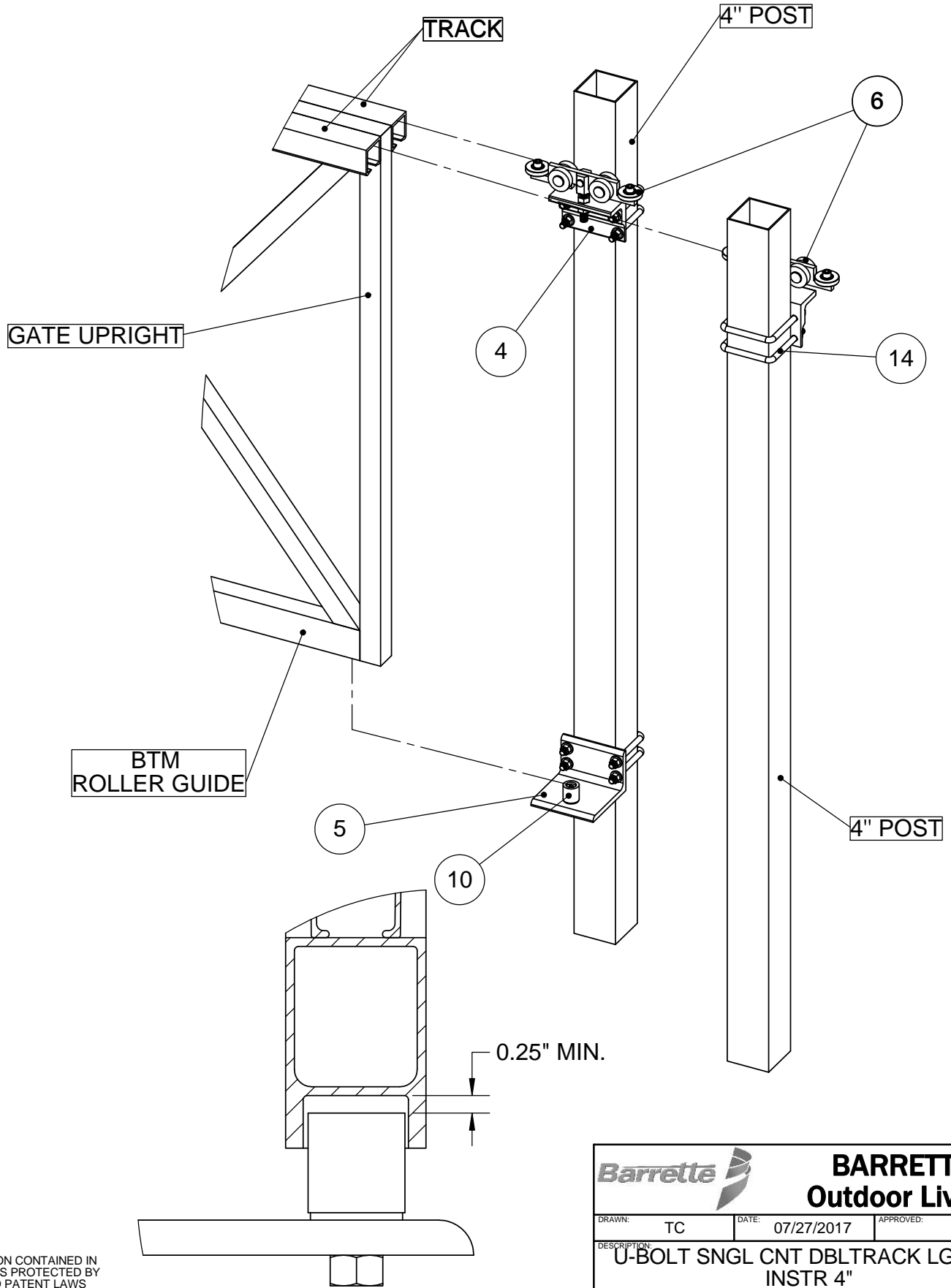


DETAIL B - BTM BRACKET
SCALE 1 : 4

THE INFORMATION CONTAINED IN THIS DRAWING IS PROTECTED BY COPYRIGHT AND PATENT LAWS OF THE UNITED STATES AND OTHER COUNTRIES. ANY REPRODUCTION IN PART OR AS A WHOLE WITHOUT WRITTEN PERMISSION IS PROHIBITED.

Barrette		BARRETTE Outdoor Living	
DRAWN: TC	DATE: 07/27/2017	APPROVED:	
DESCRIPTION: U-BOLT SNGL CNT DBLTRACK LGUIDE INSTR 4"			
SHEET 5 OF 9	REVISION	PART NUMBER	
SCALE 1:4	0	34110407	
WEIGHT:			

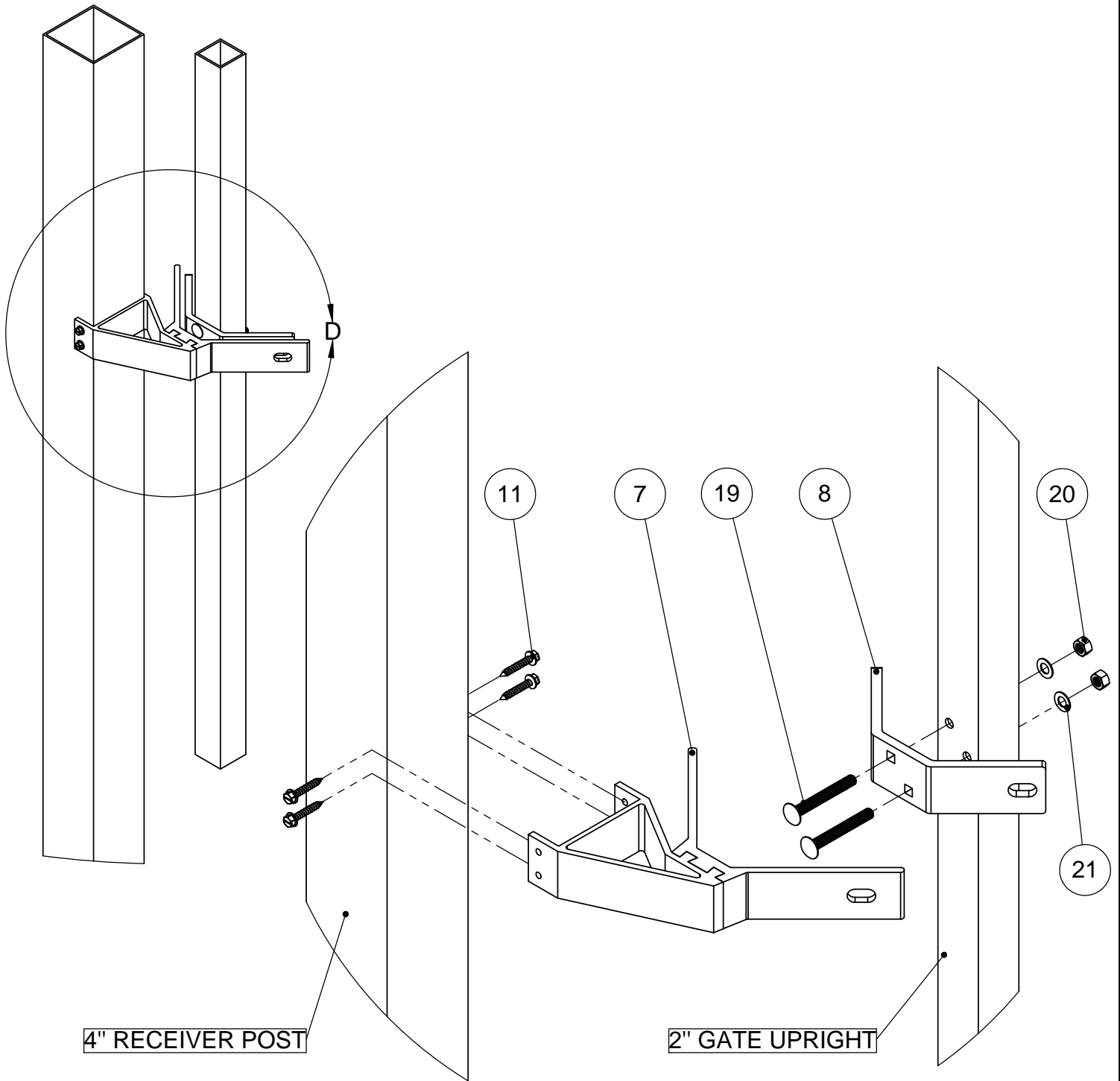
DETAIL C - GATE POSITIONING SCALE 1 : 12



**BTM ROLLER GUIDE-DETAIL
SCALE 1:2**

THE INFORMATION CONTAINED IN THIS DRAWING IS PROTECTED BY COPYRIGHT AND PATENT LAWS OF THE UNITED STATES AND OTHER COUNTRIES. ANY REPRODUCTION IN PART OR AS A WHOLE WITHOUT WRITTEN PERMISSION IS PROHIBITED.

Barrette		BARRETTE Outdoor Living	
DRAWN: TC	DATE: 07/27/2017	APPROVED:	
DESCRIPTION: U-BOLT SNGL CNT DBLTRACK LGUIDE INSTR 4"			
SHEET 6 OF 9	REVISION	PART NUMBER	
SCALE 1:12	0	34110407	
WEIGHT:			

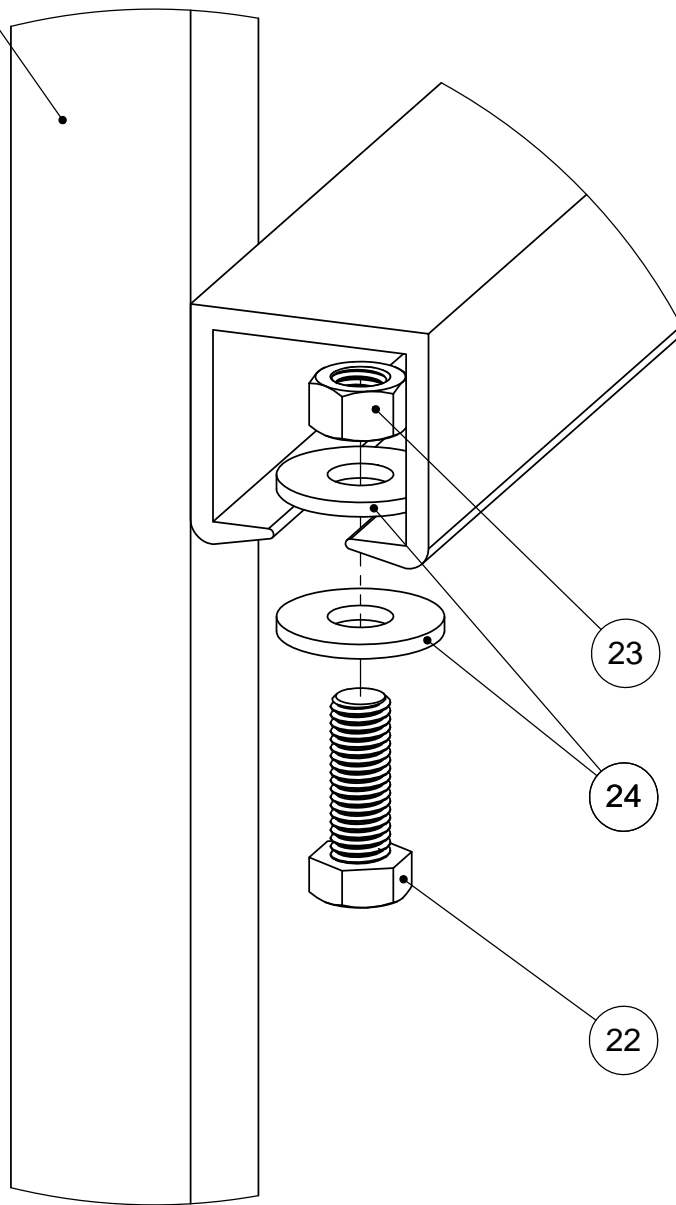


DETAIL D - RECEIVER
SCALE 1 : 5

THE INFORMATION CONTAINED IN THIS DRAWING IS PROTECTED BY COPYRIGHT AND PATENT LAWS OF THE UNITED STATES AND OTHER COUNTRIES. ANY REPRODUCTION IN PART OR AS A WHOLE WITHOUT WRITTEN PERMISSION IS PROHIBITED.

Barrette		BARRETTE Outdoor Living	
DRAWN: TC	DATE: 07/27/2017	APPROVED:	
DESCRIPTION: U-BOLT SNGL CNT DBLTRACK LGUIDE INSTR 4"			
SHEET 7 OF 9	REVISION	PART NUMBER	
SCALE 1:5	0	34110407	
WEIGHT:			

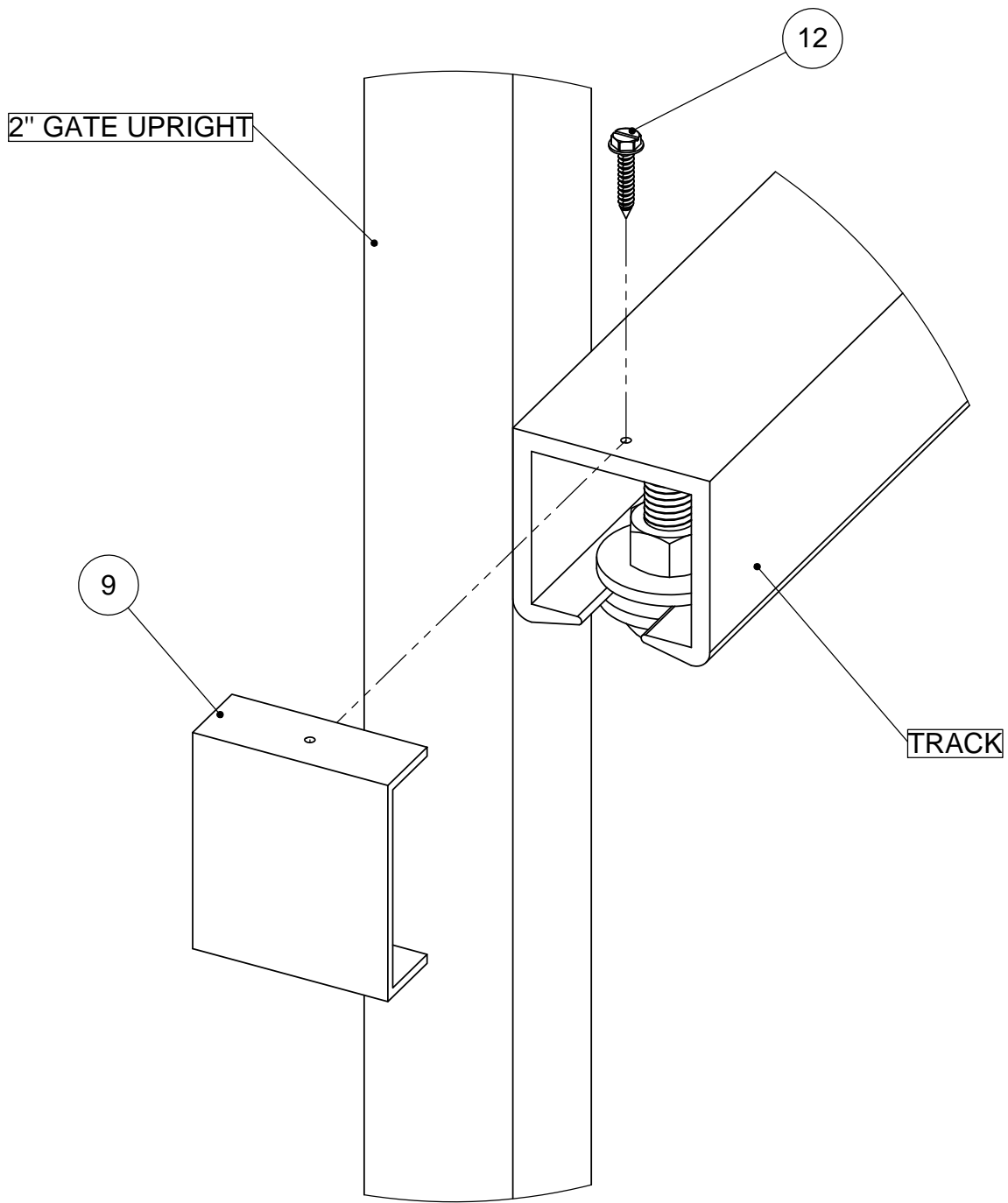
2" GATE UPRIGHT



DETAIL E - GATE STOP
SCALE 1 : 2

THE INFORMATION CONTAINED IN THIS DRAWING IS PROTECTED BY COPYRIGHT AND PATENT LAWS OF THE UNITED STATES AND OTHER COUNTRIES. ANY REPRODUCTION IN PART OR AS A WHOLE WITHOUT WRITTEN PERMISSION IS PROHIBITED.

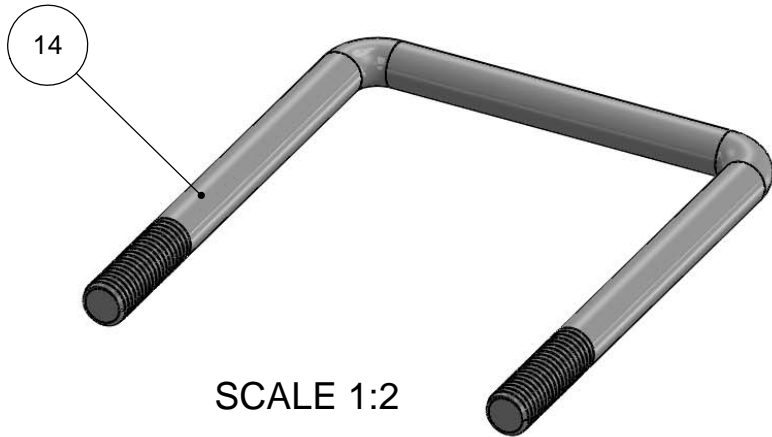
Barrette		BARRETTE Outdoor Living	
DRAWN: TC	DATE: 07/27/2017	APPROVED:	
DESCRIPTION: U-BOLT SNGL CNT DBLTRACK LGUIDE INSTR 4"			
SHEET 8 OF 9	REVISION	PART NUMBER	
SCALE 1:2	0	34110407	
WEIGHT:			



DETAIL F - COVER TRACK
SCALE 1 : 2

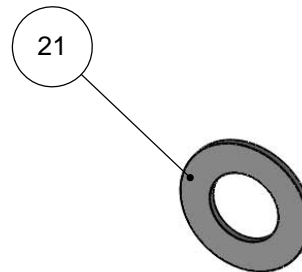
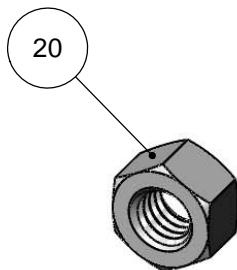
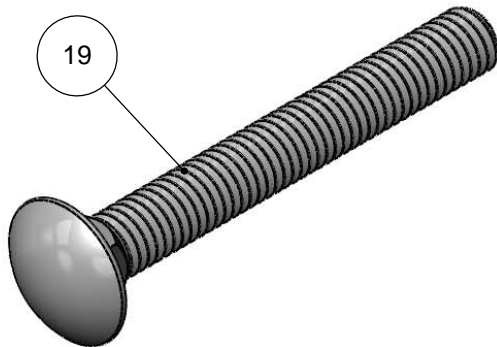
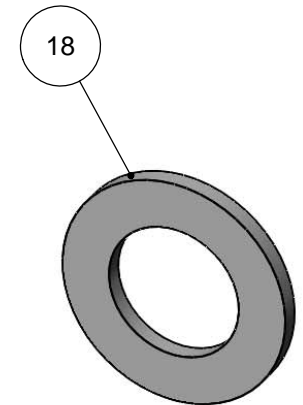
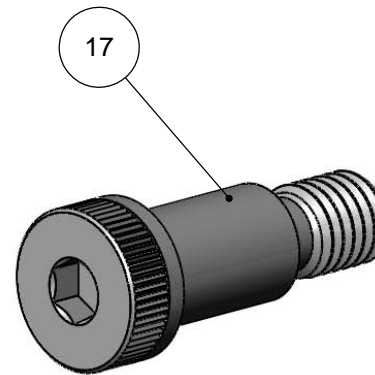
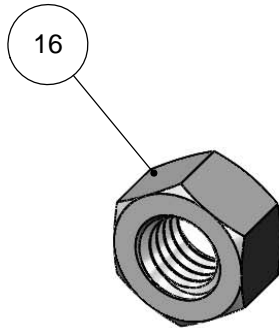
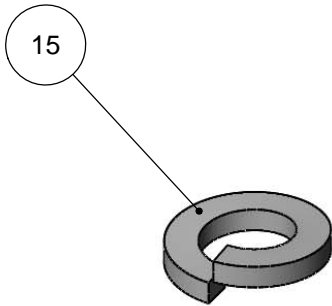
THE INFORMATION CONTAINED IN THIS DRAWING IS PROTECTED BY COPYRIGHT AND PATENT LAWS OF THE UNITED STATES AND OTHER COUNTRIES. ANY REPRODUCTION IN PART OR AS A WHOLE WITHOUT WRITTEN PERMISSION IS PROHIBITED.

<i>Barrette</i>		BARRETTE Outdoor Living	
DRAWN: TC	DATE: 07/27/2017	APPROVED:	
DESCRIPTION: U-BOLT SNGL CNT DBLTRACK LGUIDE INSTR 4"			
SHEET 9 OF 9	REVISION	PART NUMBER	
SCALE 1:2	0	34110407	
WEIGHT:			



SCALE 1:2

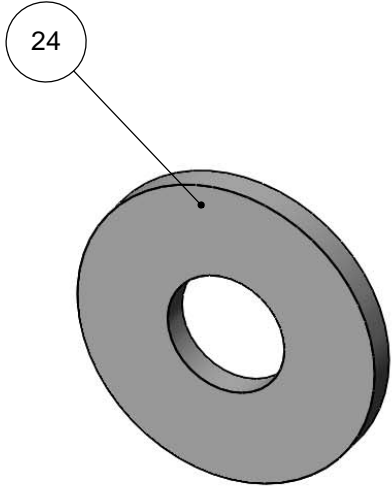
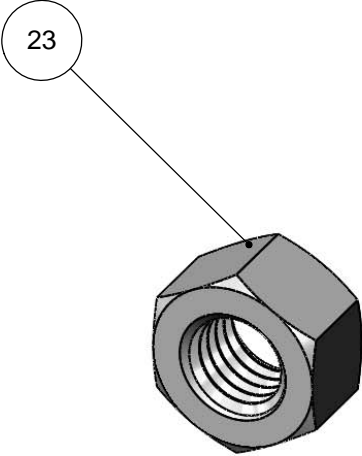
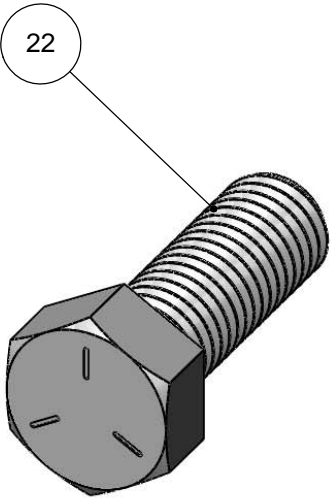
ITEM #	PART #	DESCRIPTION	QTY
14	34110442	U-BOLT 1/2"-13x4" SQ ZINC	12
15	34110251	1/2" SPLIT LOCK WASHER ZINC	24
16	34110252	1/2"-13 HEX NUT ZINC	26
17	34110257	5/8" SHOULDER BOLT 1" LONG STEEL	2
18	34110215	NYLON WASHER .08x1.25x.75 ID	2
19	34110256	3/8"-16x3" CARRIAGE BOLT ZINC GRADE A307	2
20	34110255	3/8"-16 HEX NUT ZINC	2
21	34110281	3/8" WASHER ZINC	2



THE INFORMATION CONTAINED IN THIS DRAWING IS PROTECTED BY COPYRIGHT AND PATENT LAWS OF THE UNITED STATES AND OTHER COUNTRIES. ANY REPRODUCTION IN PART OR AS A WHOLE WITHOUT WRITTEN PERMISSION IS PROHIBITED.

		BARRETTE Outdoor Living	
DRAWN: TC	DATE: 07/20/2017	APPROVED:	
DESCRIPTION: U-BOLT SNGL CNT DBLTRK LGUIDE HRDW KIT4"			
SHEET 1 OF 1	REVISION	PART NUMBER	
SCALE 1:1	0	34110397	
WEIGHT:			

ITEM #	PART #	DESCRIPTION	QTY
22	34110578	5/8"-11X1-3/4 BOLT HEX HD ZINC GRADE 5	1
23	34110579	5/8"-11 HEX NUT ZINC	1
24	34110580	5/8" FLAT WASHER ZINC	2



THE INFORMATION CONTAINED IN THIS DRAWING IS PROTECTED BY COPYRIGHT AND PATENT LAWS OF THE UNITED STATES AND OTHER COUNTRIES. ANY REPRODUCTION IN PART OR AS A WHOLE WITHOUT WRITTEN PERMISSION IS PROHIBITED.

		BARRETTE Outdoor Living	
DRAWN: TC	DATE: 07/20/2017	APPROVED:	
DESCRIPTION: HARDWARE KIT CANTILEVER GATE STOP			
SHEET 1 OF 1	REVISION	PART NUMBER	
SCALE 1:1		61123135	
WEIGHT:			