

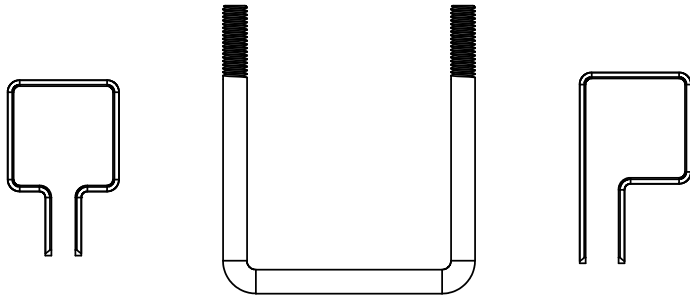
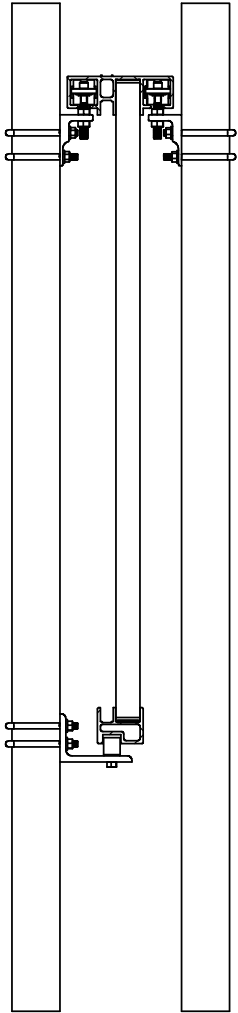


U-BOLT SINGLE CHAINLINK CANTILEVER

DOUBLE TRACK LWR INT GUIDE



Installation Kit - Instructions 4"

SKU	COLOR
61123175	BEIGE
61123176	BLACK
61123177	FLORIDA BRONZE
61123178	GREEN
61123179	GRAY
61123180	LIGHT BRONZE
61119065	MATTE BLACK
61123181	MILL
61119066	MATTE BRONZE
61123182	WHITE



ITEM #	PART #				DESCRIPTION	QTY
1	34110593				U-BOLT SINGLE CHAINLINK CANTILEVER DOUBLE TRACK LOWER INTERIOR GUIDE 4" -INSTRUCTIONS	1
2	34110397				U-BOLT SINGLE CANTILEVER DOUBLE SIDE TRACK LOWER INTERIOR GUIDE 4" -HARDWARE KIT	1
3	61123135				HARDWARE KIT CANTILEVER GATE STOP	1
4	61123003	BG	61123008	LB	U-BOLT SIDE TROLLEY BRACKET 4"	4
	61123004	BK	61119103	MB		
	61123005	BZ	61111353	MF		
	61123006	GR	61119104	MZ		
	61123007	GY	61123009	WH		
5	61123017	BG	61123022	LB	U-BOLT BTM GUIDE BRACKET 4"	2
	61123018	BK	61119107	MB		
	61123019	BZ	61111355	MF		
	61123020	GR	61119108	MZ		
	61123021	GY	61123023	WH		
6	73022674				8 WHEEL TROLLEY	4
7	34110163				CHAINLINK RECEIVER SQUARE	1
8	61123151	BG	61123156	LB	CHAINLINK COVER - DOUBLE TRACK	1
	61123152	BK	61119113	MB		
	61123153	BZ	61123157	MF		
	61123154	GR	61119051	MZ		
	61123155	GY	61123158	WH		
9	61123159	BG	61123164	LB	CHAINLINK COVER - BTM GUIDE FRAME	1
	61123160	BK	61119052	MB		
	61123161	BZ	61123165	MF		
	61123162	GR	61119053	MZ		
	61123163	GY	61123166	WH		
10	34110287				1.43" DIA. DERLIN GUIDE WHEEL	2
11	73022816	BG	73026018	GY	SCREW #14X1-1/2 HX HD SDS 410 SS	10
	73022817	BK	73022820	LB		
	73022818	BZ	73022415	MF		
	73022819	GR	73022821	WH		
12	34110341				GREASE 3 OZ.	1

THE INFORMATION CONTAINED IN THIS DRAWING IS PROTECTED BY COPYRIGHT AND PATENT LAWS OF THE UNITED STATES AND OTHER COUNTRIES. ANY REPRODUCTION IN PART OR AS A WHOLE WITHOUT WRITTEN PERMISSION IS PROHIBITED.

		BARRETTE Outdoor Living	
DRAWN: JH	DATE: 09/15/2017	APPROVED:	
DESCRIPTION: U-BOLT SNG CHLINK CNT DBL TRK INSTR 4"			
SHEET 1 OF 13	REVISION:	PART NUMBER	
SCALE:		34110593	
WEIGHT:			

13	61124153	BK	73022455	MF	CHAIN LINK TENSION BAND	TBD*
14	61124154	BK	73022456	MF	BARBED WIRE BRACE BAND	6**
15	34110107				3/8"-16 HEX NUT ZINC	TBD***
16	34110108				3/8"-16X1-1/2" CARRIAGE BOLT ZINC GRADE A307	TBD***
17	34110442				U-BOLT 1/2"-13x4" SQ ZINC	12
18	34110251				1/2" SPLIT LOCK WASHER ZINC	24
19	34110252				1/2"-13 HEX NUT ZINC	26
20	34110257				5/8" SHOULDER BOLT 1" LONG STEEL	2
21	34110215				NYLON WASHER .08x1.25x.75 ID	2
22	34110256				3/8"-16x3" CARRIAGE BOLT ZINC GRADE A307	2
23	34110107				3/8"-16 HEX NUT ZINC	2
24	34110281				3/8" WASHER ZINC	2
25	34110578				5/8"-11X1-3/4 BOLT HEX HD ZINC GRADE 5	1
26	34110579				5/8"-11 HEX NUT ZINC	1
27	34110580				5/8" FLAT WASHER ZINC	2
28	34110586				U-BOLT 1/2"-13x4" SQ GALVANIZED	1
29	34110587				1/2"-13 HEX NUT GALVANIZED	2
30	64110588				1/2" WASHER GALVANIZED	2
31	61124157	BK	61124155	MF	BOLT-ON BARB WIRE UPRIGHT	TBD****
32	34110855				SCREW - 5/16-12 X 1-1/2 HWH SDS ZINC	TBD*****

NOTE:

- 1.) ITEM #17 TO #24 IS PART OF 34110397 HARDWARE KIT (SEE SHEET 1-ITEM 2)
- 2.) ITEM #25 TO #27 IS PART OF 61123135 HARDWARE KIT (SEE SHEET 1-ITEM 3)
- 3.) ITEM #28 TO #30 IS PART OF 34110163 RECEIVER SQUARE (SEE SHEET 1-ITEM 7)
- 4.) FOR MATTE BLACK KITS USE BLACK SCREWS
- 5.) FOR MATTE BRONZE KITS USE LIGHT BRONZE SCREWS

* - QUANTITY DETERMINED BY GATE HEIGHT - SEE TABLE BELOW

** - ONLY IF BARBED WIRE BRACE BAND REQUIRED



*** - SAME NUMBER AS CHAIN LINK TENSION BAND
+ 6 (IF BARBED WIRE BRACE BAND REQUIRED)

**** - QUANTITY DETERMINED BY NUMBER OF UPRIGHTS IN THE GATE OPENING

***** - NUMBER OF ITEMS FROM ROW 31 MULTIPLIED BY 2

GATE HEIGHT (FT)	NUMBER OF TENSION BANDS
4	6
5	8
6	10
8	14

THE INFORMATION CONTAINED IN THIS DRAWING IS PROTECTED BY COPYRIGHT AND PATENT LAWS OF THE UNITED STATES AND OTHER COUNTRIES. ANY REPRODUCTION IN PART OR AS A WHOLE WITHOUT WRITTEN PERMISSION IS PROHIBITED.

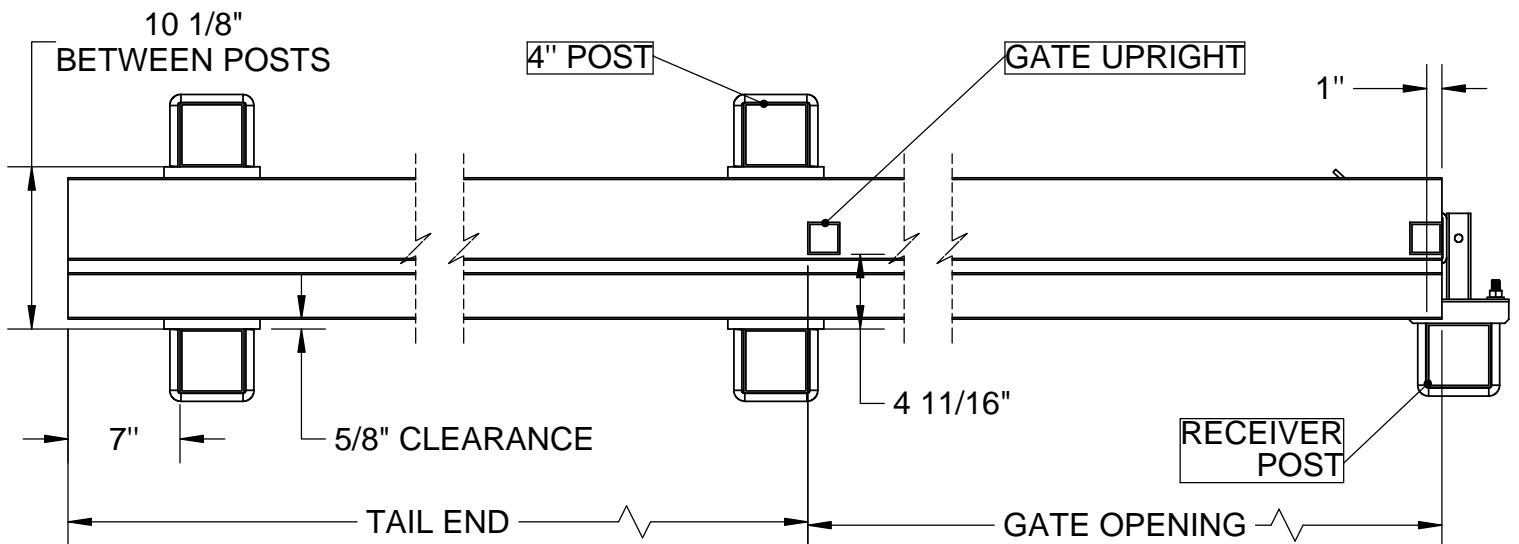
		BARRETTE Outdoor Living	
DRAWN: JH	DATE: 09/15/2017	APPROVED:	
DESCRIPTION: U-BOLT SNG CHLINK CNT DBL TRK INSTR 4"			
SHEET 2 OF 13	REVISION:	PART NUMBER	
SCALE:		34110593	
WEIGHT:			

INSTALLATION PROCEDURE:

- 1.SET 4" POSTS IN THE GROUND - SEE POST LOCATION BELOW.
- 2.INSTALL TOP BRACKET (ITEM #4) AND WHEEL TROLLEY (ITEM #6) - SEE SHEET 4
- 3.INSTALL BTM BRACKET (ITEM #5) AND GUIDE WHEEL (ITEM #10) - SEE SHEET 5
- 4.PLACE GATE IN THE POSITION - SLIDE GATE TOP TRACK INTO WHEEL TROLLEY (ITEM #6) AND BTM ROLLER GUIDE ON GUIDE WHEEL (ITEM #10) - SEE SHEET 6
- 5.INSTALL CHAINLINK RECEIVER SQUARE (ITEM #7) - SEE SHEET 7
- 6.INSTALL GATE STOP (BOLT-ITEM #25,NUT- ITEM #26,WASHERS-ITEM # 27) ON THE END OF THE TRACK - SEE SHEET 8 (**ONE GATE STOP REQUIRED ONLY - PER LEAF**)
- 7.INSTALL COVER-TOP TRACK (ITEM #8) ON THE END OF THE TOP TRACK - SEE SHEET 9
- 8.INSTALL COVER-BTM FRAME (ITEM #9) ON THE END OF THE BTM FRAME - SEE SHEET 10
- 9.INSTALL TENSION BANDS (ITEM #13) ON THE UPRIGHT - SEE SHEET 11 (IF REQUIRED)
- 10.INSTALL BARBED WIRE TENSION UPRIGHTS (ITEM #31) ON TOP TRACK. UPRIGHTS NEEDS TO BE WELDED (BY MANUFACTURER) OR BOLTED (BY CUSTOMER) - SEE SHEET 12 (IF REQUIRED)
- 11.INSTALL BARBED WIRE TENSION BANDS (ITEM #14) ON THE UPRIGHT - SEE SHEET 13 (IF REQUIRED)

NOTE:

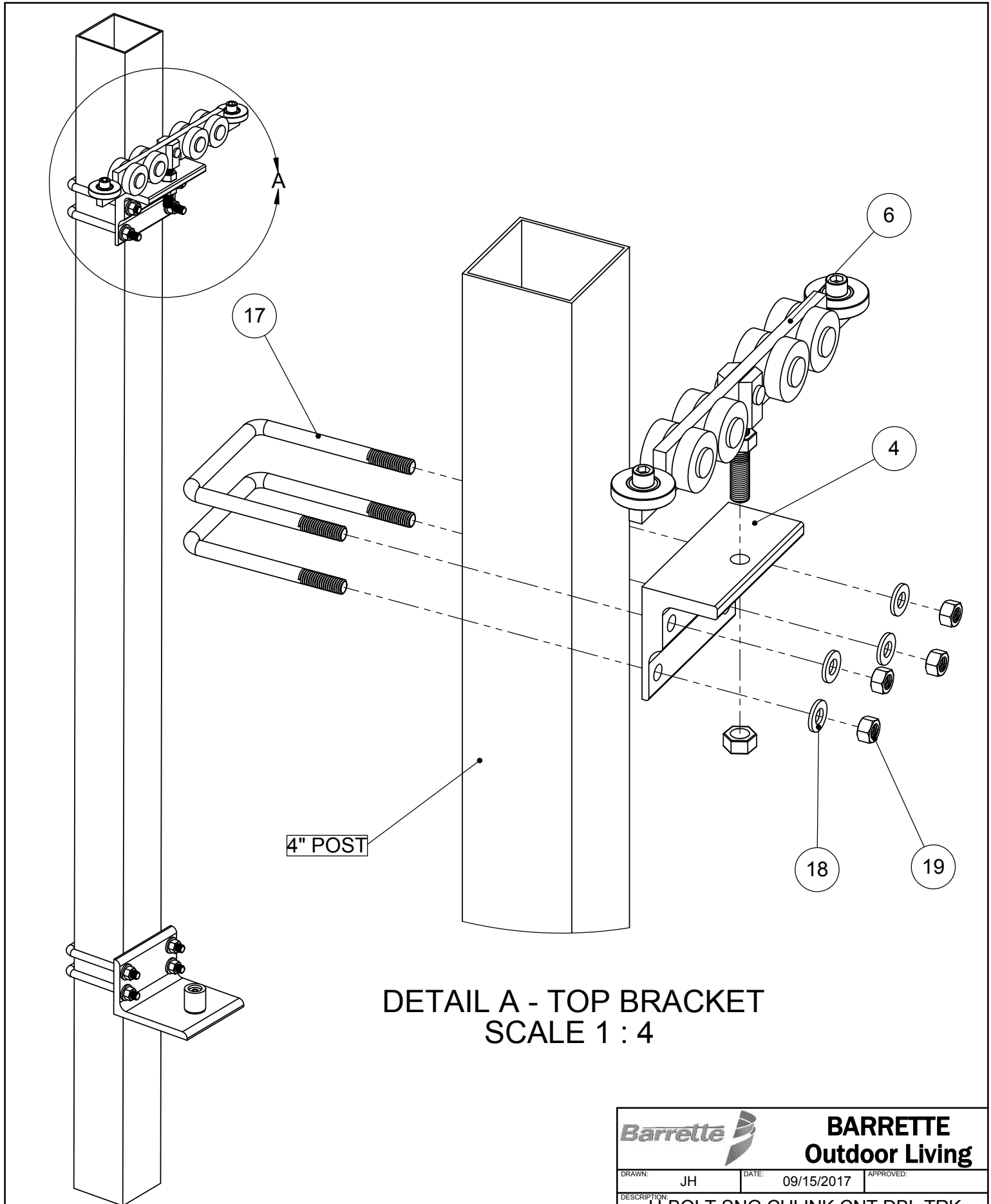
- **APPLY GREASE (ITEM #12) ON THE SHOULDER BOLTS (ITEM #20), INSIDE GUIDE WHEELS (ITEM # 10) AND TOP OF NYLON WASHER (ITEM #21). MAINTAIN GREASE EVERY 4 TO 6 MONTHS.**



**POST LOCATION DETAIL
SCALE 1:12**

THE INFORMATION CONTAINED IN THIS DRAWING IS PROTECTED BY COPYRIGHT AND PATENT LAWS OF THE UNITED STATES AND OTHER COUNTRIES. ANY REPRODUCTION IN PART OR AS A WHOLE WITHOUT WRITTEN PERMISSION IS PROHIBITED.

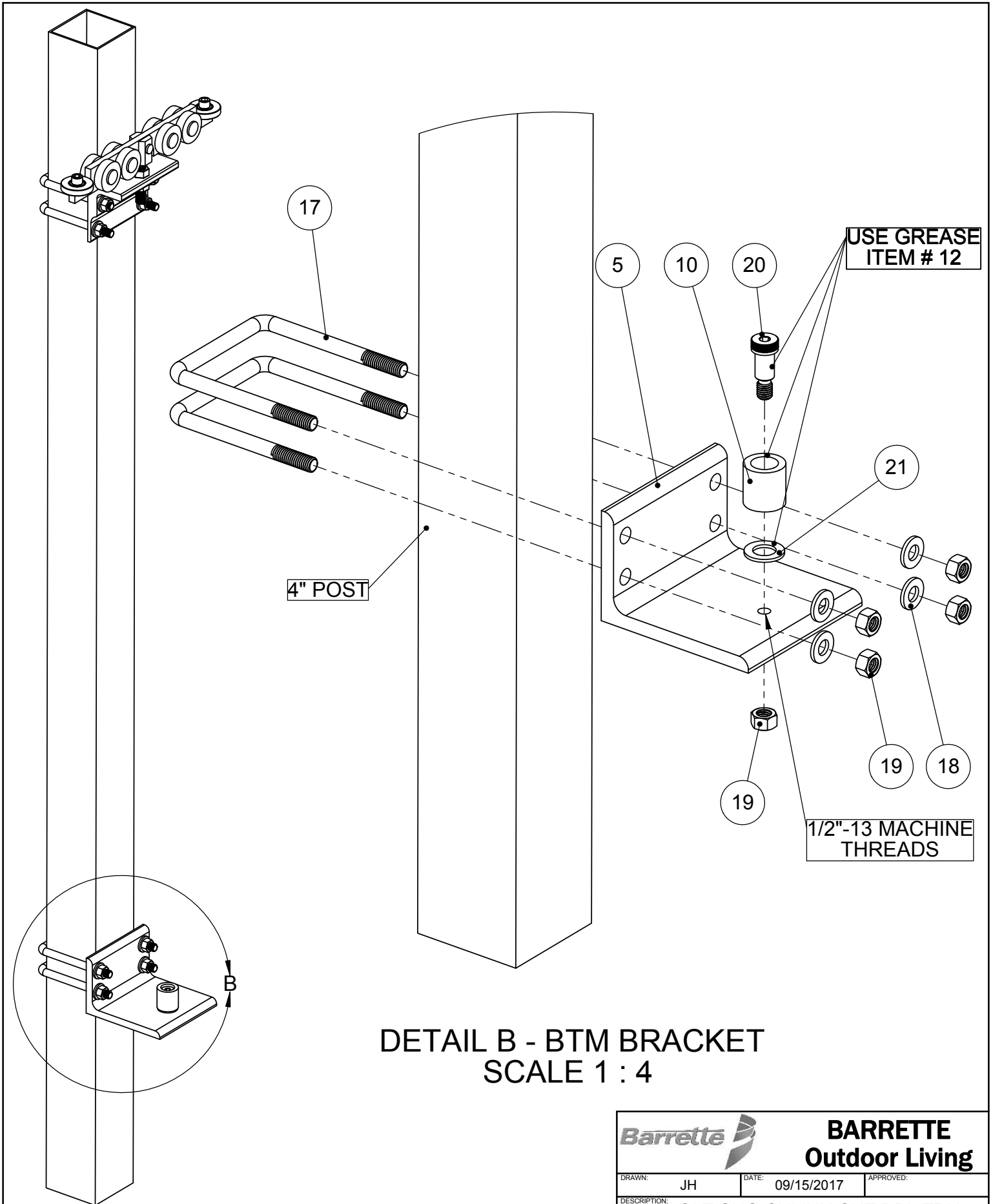
Barrette		BARRETTE Outdoor Living	
DRAWN: JH	DATE: 09/15/2017	APPROVED:	
DESCRIPTION: U-BOLT SNG CHLINK CNT DBL TRK INSTR 4"			
SHEET 3 OF 13	REVISION	PART NUMBER	
SCALE 1:12	0	34110593	
WEIGHT:			



DETAIL A - TOP BRACKET
SCALE 1 : 4

THE INFORMATION CONTAINED IN THIS DRAWING IS PROTECTED BY COPYRIGHT AND PATENT LAWS OF THE UNITED STATES AND OTHER COUNTRIES. ANY REPRODUCTION IN PART OR AS A WHOLE WITHOUT WRITTEN PERMISSION IS PROHIBITED.

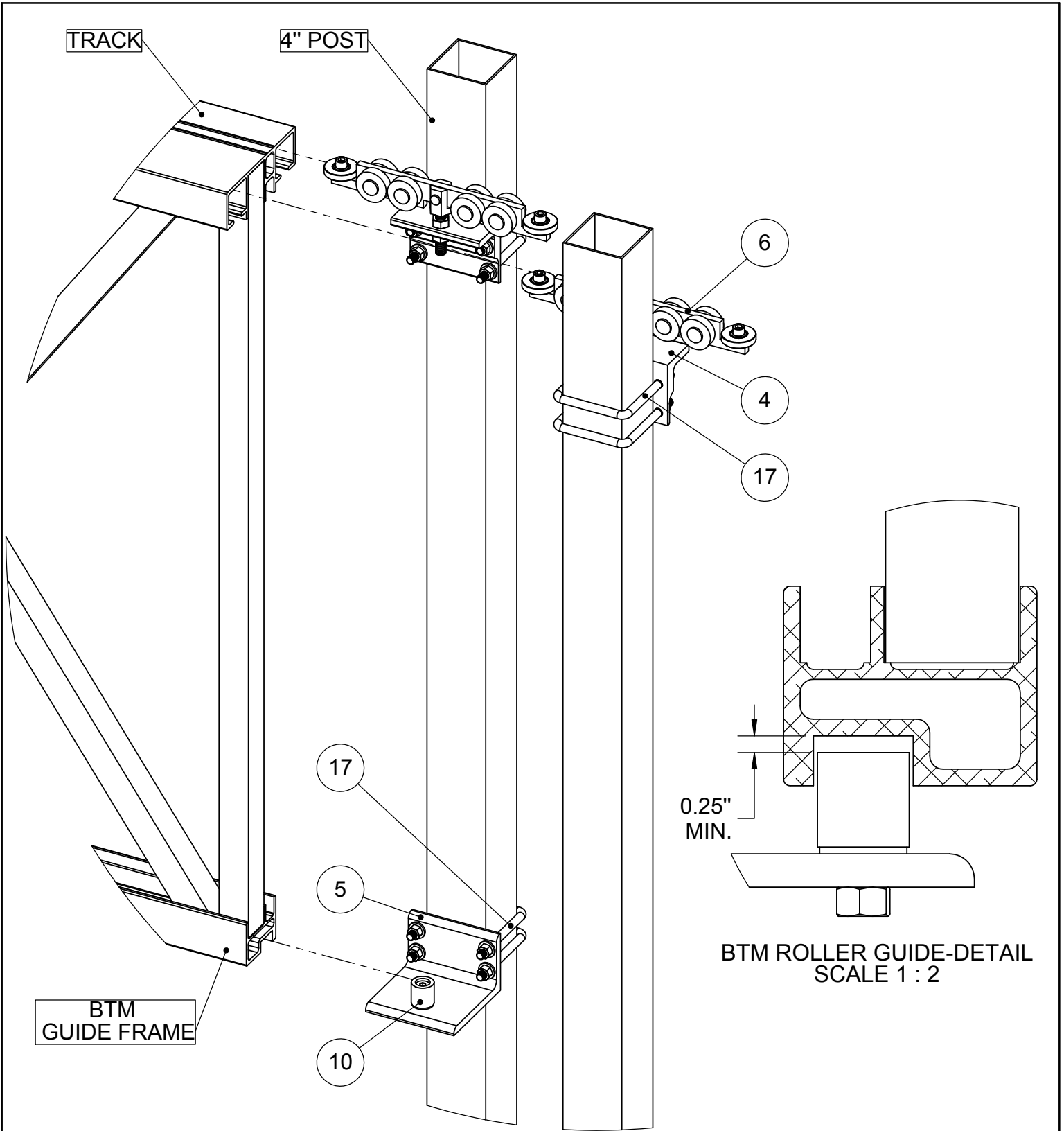
Barrette		BARRETTE Outdoor Living	
DRAWN: JH	DATE: 09/15/2017	APPROVED:	
DESCRIPTION: U-BOLT SNG CHLINK CNT DBL TRK INSTR 4"			
SHEET 4 OF 13	REVISION	PART NUMBER	
SCALE 1:4	0	34110593	
WEIGHT:			



DETAIL B - BTM BRACKET
SCALE 1 : 4

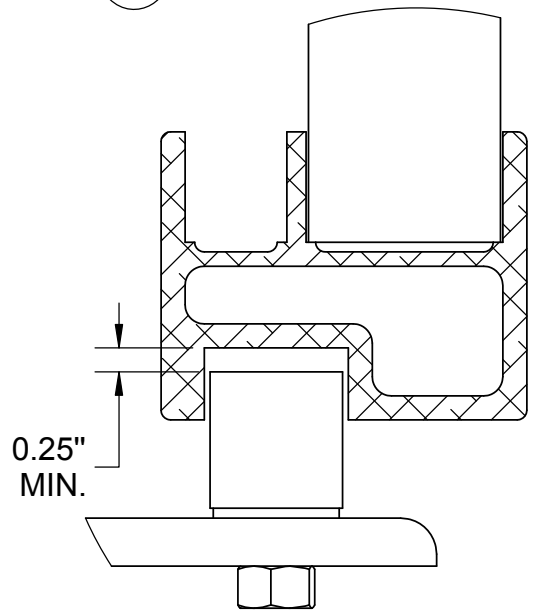
THE INFORMATION CONTAINED IN THIS DRAWING IS PROTECTED BY COPYRIGHT AND PATENT LAWS OF THE UNITED STATES AND OTHER COUNTRIES. ANY REPRODUCTION IN PART OR AS A WHOLE WITHOUT WRITTEN PERMISSION IS PROHIBITED.

Barrette		BARRETTE Outdoor Living	
DRAWN: JH	DATE: 09/15/2017	APPROVED:	
DESCRIPTION: U-BOLT SNG CHLINK CNT DBL TRK INSTR 4"			
SHEET 5 OF 13	REVISION	PART NUMBER	
SCALE 1:4	0	34110593	
WEIGHT:			



BTM
GUIDE FRAME

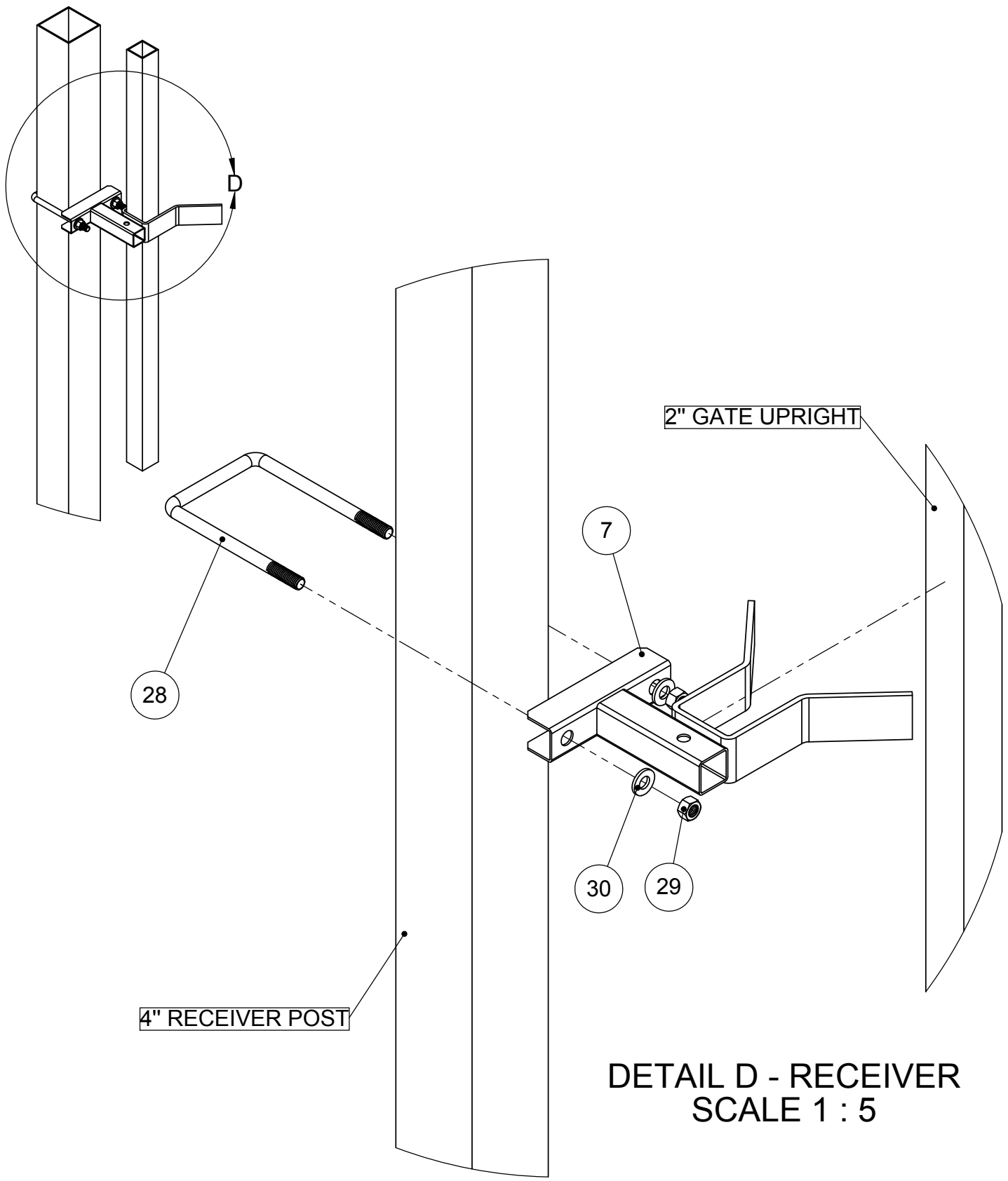
DETAIL C - GATE POSITIONING
SCALE 1 : 8



BTM ROLLER GUIDE-DETAIL
SCALE 1 : 2

THE INFORMATION CONTAINED IN THIS DRAWING IS PROTECTED BY COPYRIGHT AND PATENT LAWS OF THE UNITED STATES AND OTHER COUNTRIES. ANY REPRODUCTION IN PART OR AS A WHOLE WITHOUT WRITTEN PERMISSION IS PROHIBITED.

Barrette		BARRETTE	
		Outdoor Living	
DRAWN: JH	DATE: 09/15/2017	APPROVED:	
DESCRIPTION: U-BOLT SNG CHLINK CNT DBL TRK INSTR 4"			
SHEET 6 OF 13	REVISION: 0	PART NUMBER: 34110593	
SCALE 1:8			
WEIGHT:			



2" GATE UPRIGHT

28

7

30

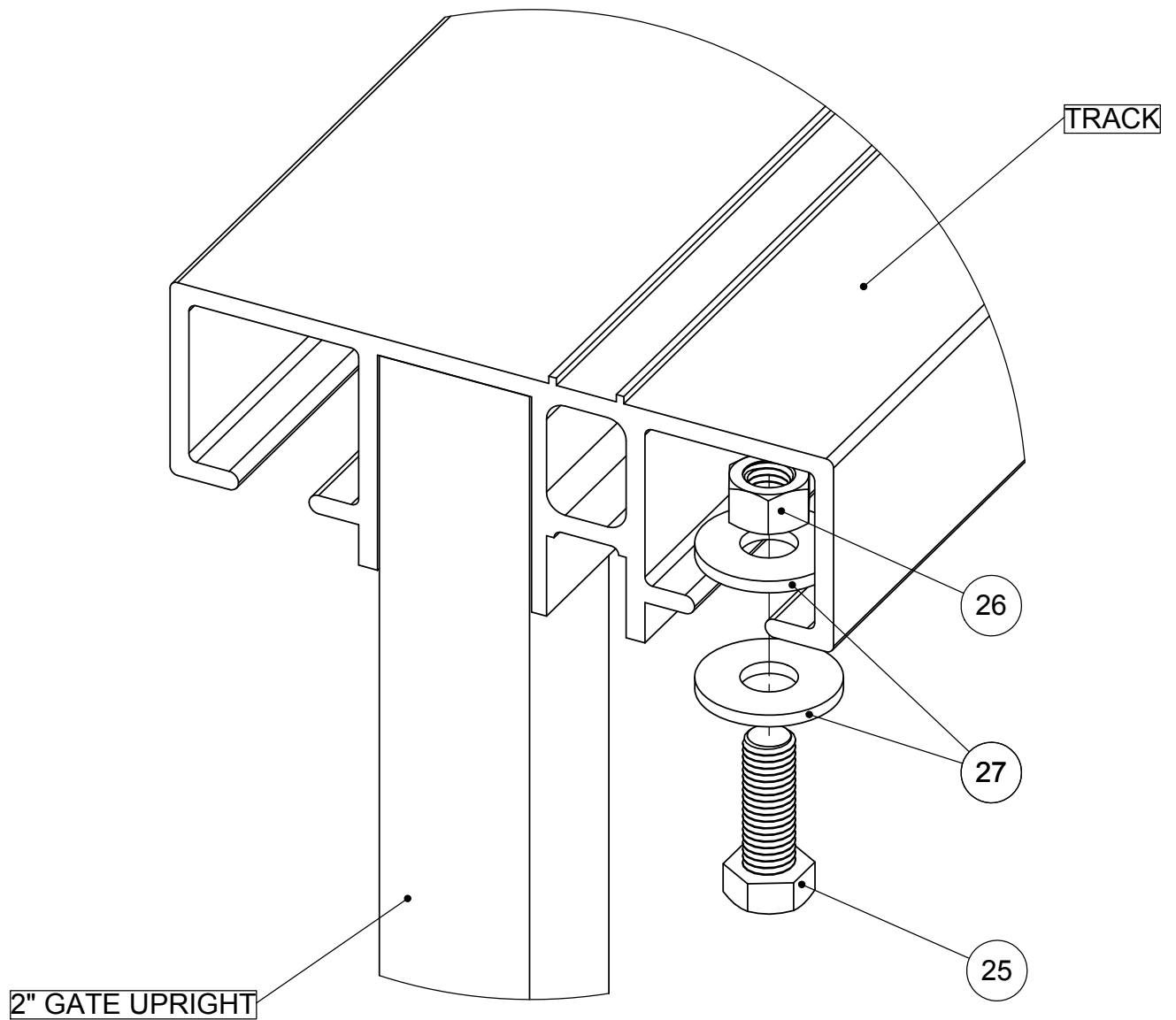
29

4" RECEIVER POST

DETAIL D - RECEIVER
SCALE 1 : 5

THE INFORMATION CONTAINED IN THIS DRAWING IS PROTECTED BY COPYRIGHT AND PATENT LAWS OF THE UNITED STATES AND OTHER COUNTRIES. ANY REPRODUCTION IN PART OR AS A WHOLE WITHOUT WRITTEN PERMISSION IS PROHIBITED.

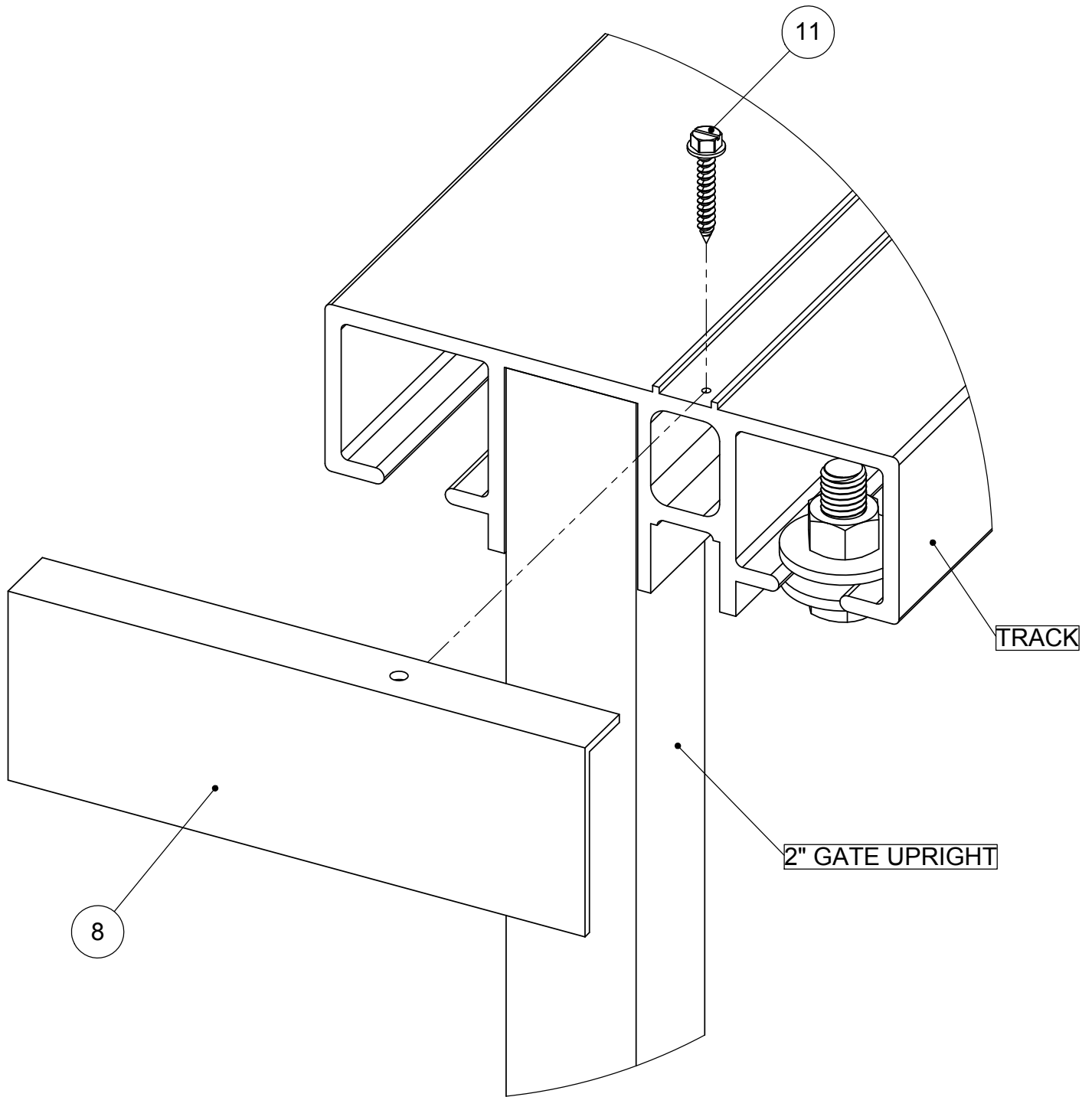
Barrette		BARRETTE Outdoor Living	
DRAWN: JH	DATE: 09/15/2017	APPROVED:	
DESCRIPTION: U-BOLT SNG CHLINK CNT DBL TRK INSTR 4"			
SHEET 7 OF 13	REVISION: 0	PART NUMBER	
SCALE 1:5		34110593	
WEIGHT:			



DETAIL E - GATE STOP
SCALE 1 : 2

THE INFORMATION CONTAINED IN THIS DRAWING IS PROTECTED BY COPYRIGHT AND PATENT LAWS OF THE UNITED STATES AND OTHER COUNTRIES. ANY REPRODUCTION IN PART OR AS A WHOLE WITHOUT WRITTEN PERMISSION IS PROHIBITED.

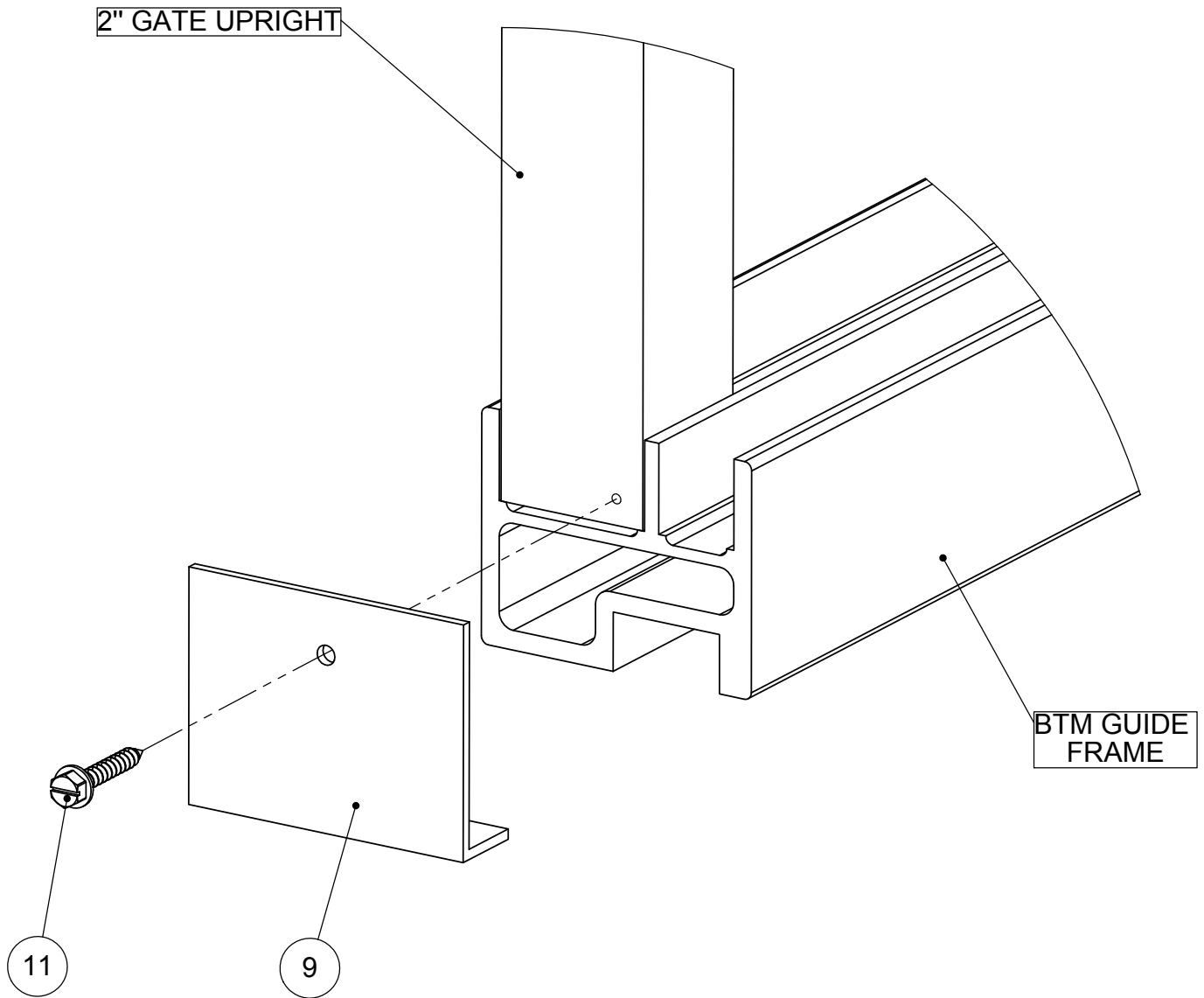
Barrette		BARRETTE Outdoor Living	
DRAWN: JH	DATE: 09/15/2017	APPROVED:	
DESCRIPTION: U-BOLT SNG CHLINK CNT DBL TRK INSTR 4"			
SHEET 8 OF 13	REVISION	PART NUMBER	
SCALE 1:2	0	34110593	
WEIGHT:			



DETAIL F - END COVER-DOUBLE TRACK
SCALE 1 : 2

THE INFORMATION CONTAINED IN THIS DRAWING IS PROTECTED BY COPYRIGHT AND PATENT LAWS OF THE UNITED STATES AND OTHER COUNTRIES. ANY REPRODUCTION IN PART OR AS A WHOLE WITHOUT WRITTEN PERMISSION IS PROHIBITED.

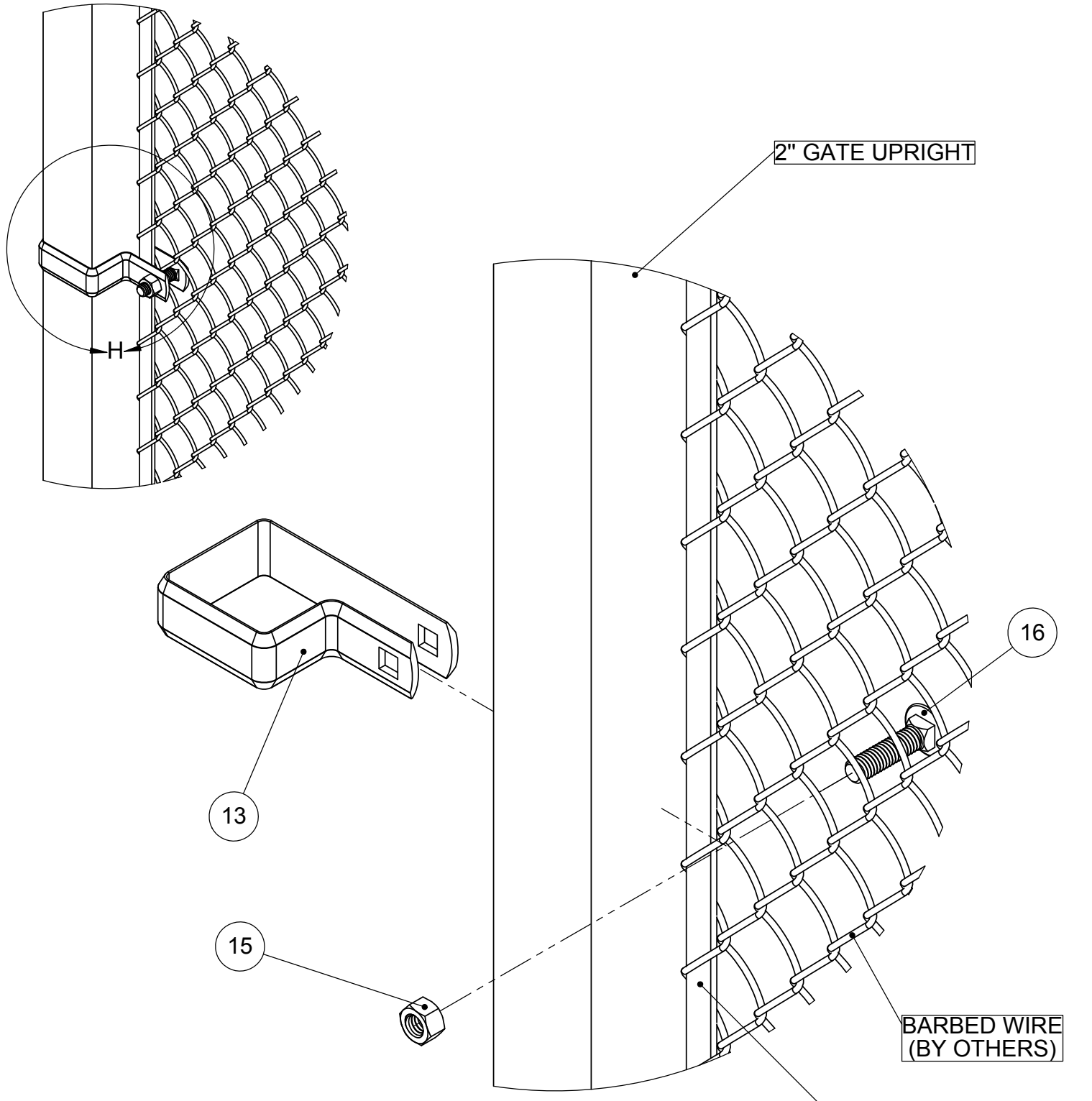
Barrette		BARRETTE Outdoor Living	
DRAWN: JH	DATE: 09/15/2017	APPROVED:	
DESCRIPTION: U-BOLT SNG CHLINK CNT DBL TRK INSTR 4"			
SHEET 9 OF 13	REVISION	PART NUMBER	
SCALE 1:2	0	34110593	
WEIGHT:			



DETAIL G - END COVER-BTM GUIDE FRAME
SCALE 1 : 2

THE INFORMATION CONTAINED IN THIS DRAWING IS PROTECTED BY COPYRIGHT AND PATENT LAWS OF THE UNITED STATES AND OTHER COUNTRIES. ANY REPRODUCTION IN PART OR AS A WHOLE WITHOUT WRITTEN PERMISSION IS PROHIBITED.

Barrette		BARRETTE Outdoor Living	
DRAWN: JH	DATE: 09/15/2017	APPROVED:	
DESCRIPTION: U-BOLT SNG CHLINK CNT DBL TRK INSTR 4"			
SHEET 10 OF 13	REVISION	PART NUMBER	
SCALE 1:2	0	34110593	
WEIGHT:			



DETAIL H - TENSION BAND
SCALE 1 : 2

THE INFORMATION CONTAINED IN THIS DRAWING IS PROTECTED BY COPYRIGHT AND PATENT LAWS OF THE UNITED STATES AND OTHER COUNTRIES. ANY REPRODUCTION IN PART OR AS A WHOLE WITHOUT WRITTEN PERMISSION IS PROHIBITED.

Barrette		BARRETTE Outdoor Living	
DRAWN: JH	DATE: 09/15/2017	APPROVED:	
DESCRIPTION: U-BOLT SNG CHLINK CNT DBL TRK INSTR 4"			
SHEET 11 OF 13	REVISION:	PART NUMBER: 34110593	
SCALE 1:2			
WEIGHT:			

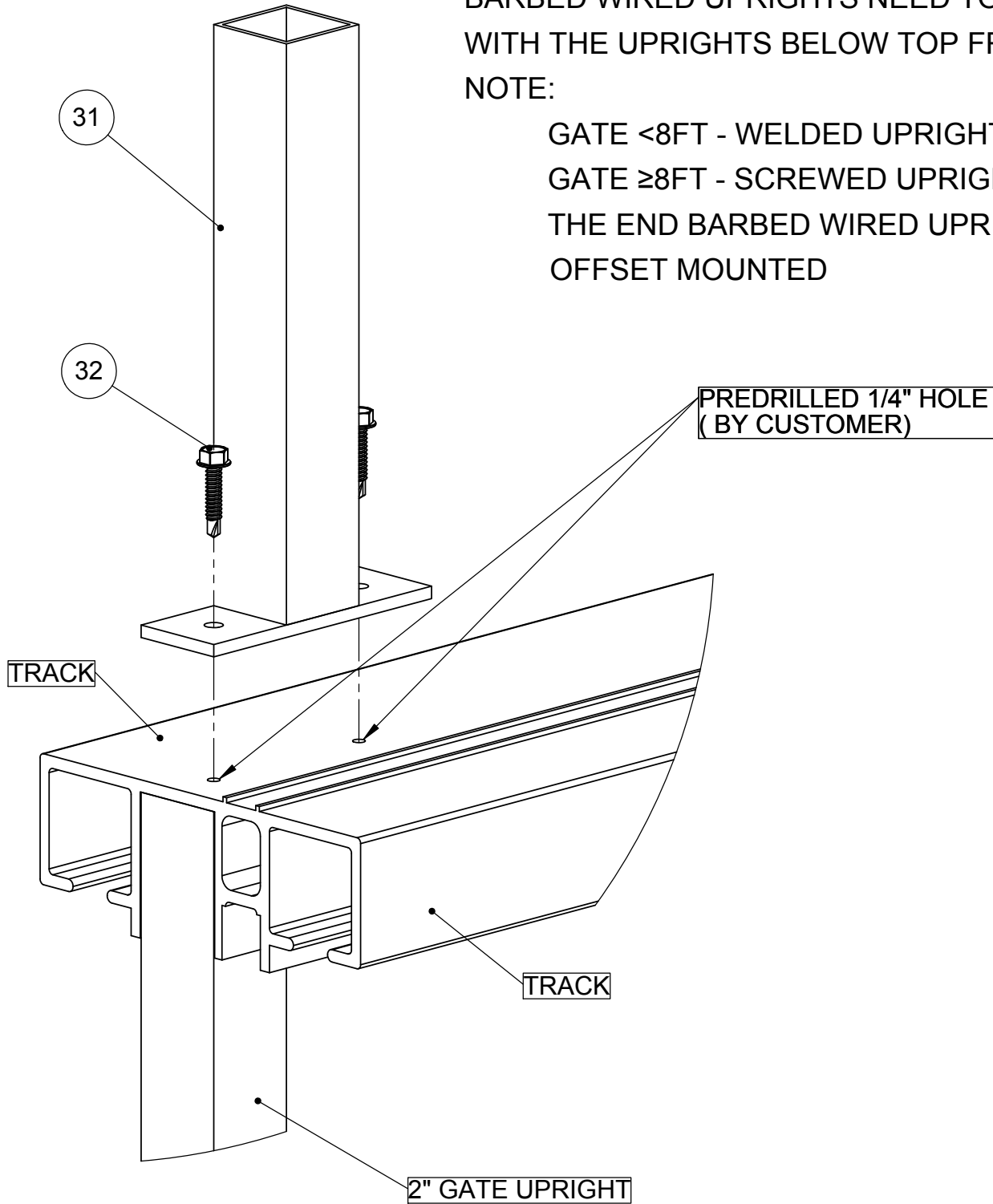
BARBED WIRED UPRIGHTS NEED TO ALIGN WITH THE UPRIGHTS BELOW TOP FRAME.

NOTE:

GATE <8FT - WELDED UPRIGHT

GATE ≥8FT - SCREWED UPRIGHT

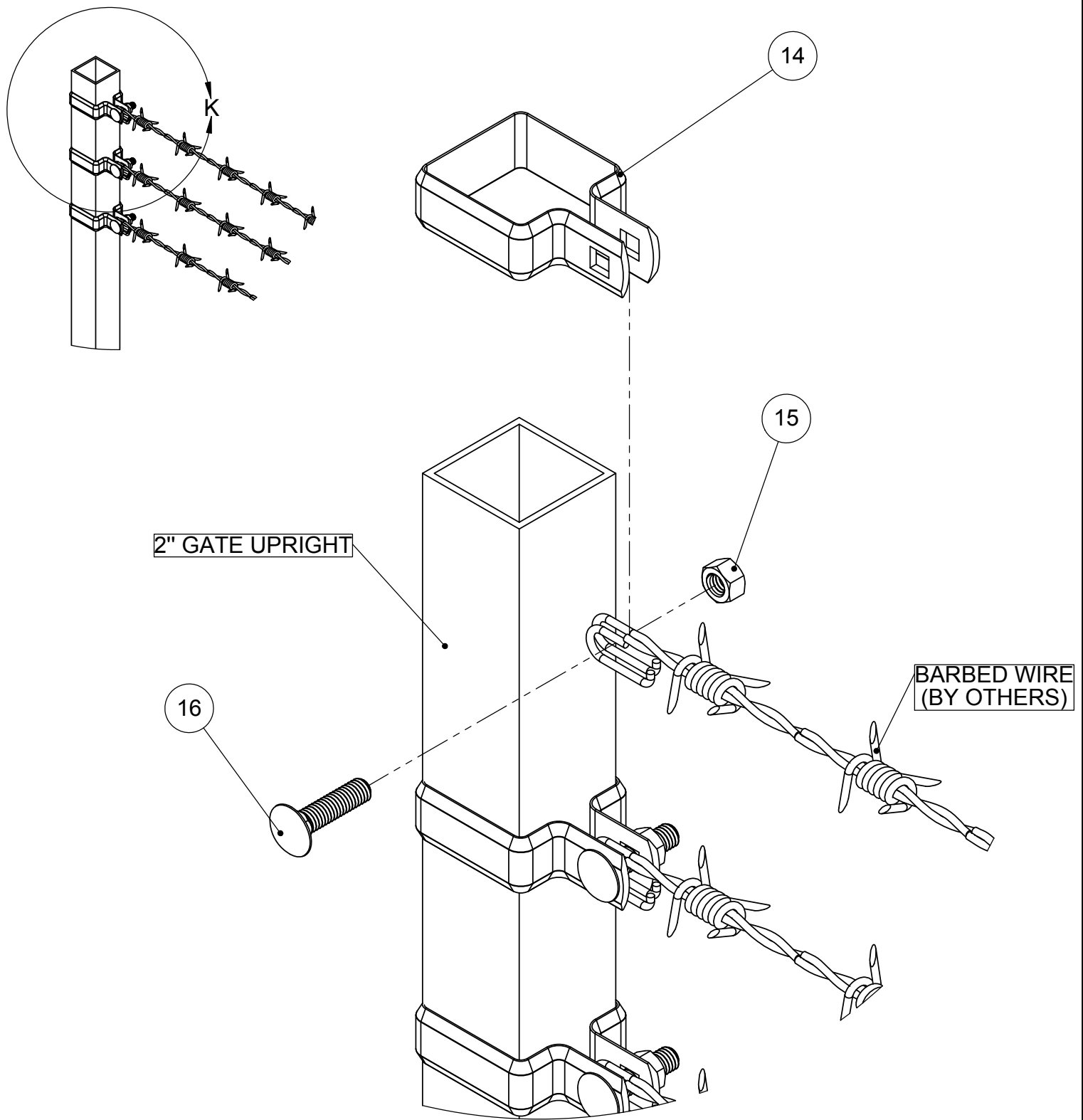
THE END BARBED WIRED UPRIGHT IS OFFSET MOUNTED



DETAIL J - BARBED WIRE UPRIGHT
SCALE 1 : 3

THE INFORMATION CONTAINED IN THIS DRAWING IS PROTECTED BY COPYRIGHT AND PATENT LAWS OF THE UNITED STATES AND OTHER COUNTRIES. ANY REPRODUCTION IN PART OR AS A WHOLE WITHOUT WRITTEN PERMISSION IS PROHIBITED.

Barrette		BARRETTE Outdoor Living	
DRAWN: JH	DATE: 09/15/2017	APPROVED:	
DESCRIPTION: U-BOLT SNG CHLINK CNT DBL TRK INSTR 4"			
SHEET 12 OF 13	REVISION	PART NUMBER	
SCALE 1:3	0	34110593	
WEIGHT:			



2" GATE UPRIGHT

16

14

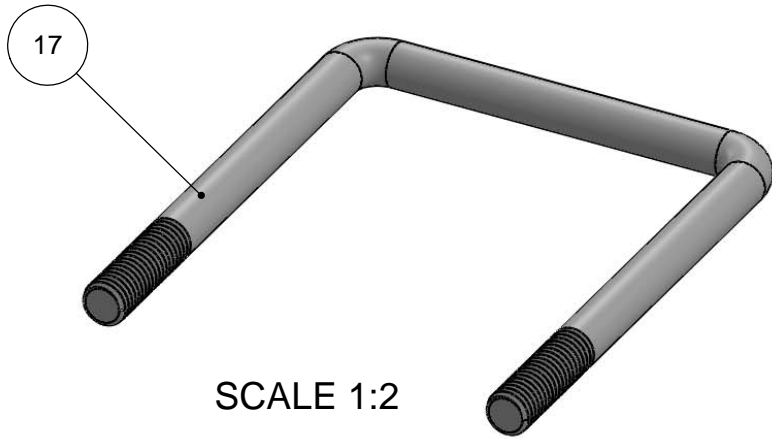
15

BARBED WIRE
(BY OTHERS)

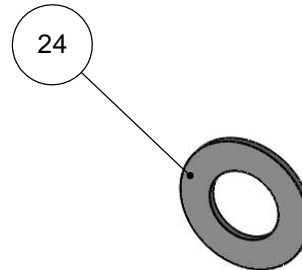
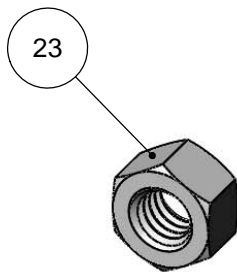
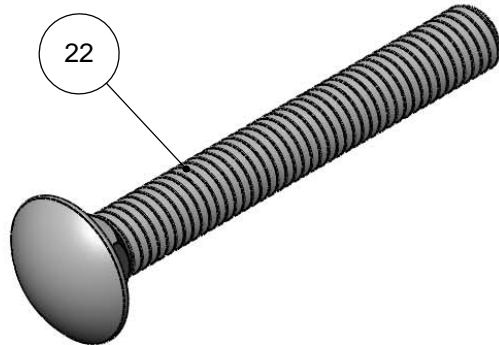
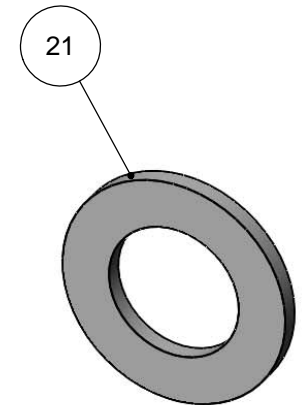
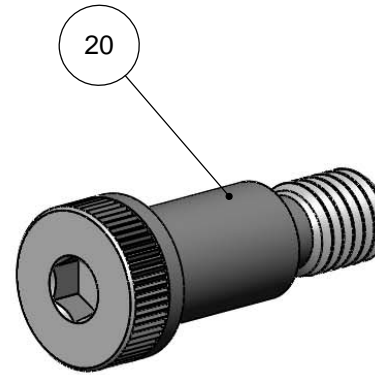
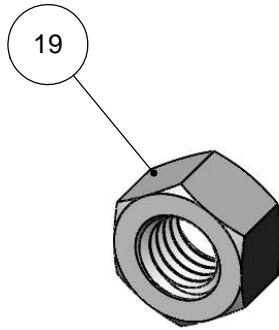
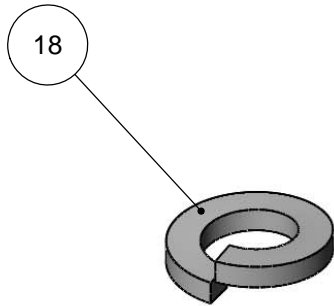
DETAIL K - BARBED WIRE BRACE BAND
SCALE 1 : 2

THE INFORMATION CONTAINED IN THIS DRAWING IS PROTECTED BY COPYRIGHT AND PATENT LAWS OF THE UNITED STATES AND OTHER COUNTRIES. ANY REPRODUCTION IN PART OR AS A WHOLE WITHOUT WRITTEN PERMISSION IS PROHIBITED.

Barrette		BARRETTE Outdoor Living	
DRAWN: JH	DATE: 09/15/2017	APPROVED:	
DESCRIPTION: U-BOLT SNG CHLINK CNT DBL TRK INSTR 4"			
SHEET 13 OF 13	REVISION	PART NUMBER	
SCALE 1:2	0	34110593	
WEIGHT:			



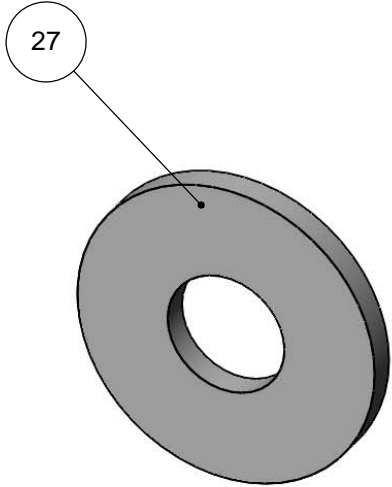
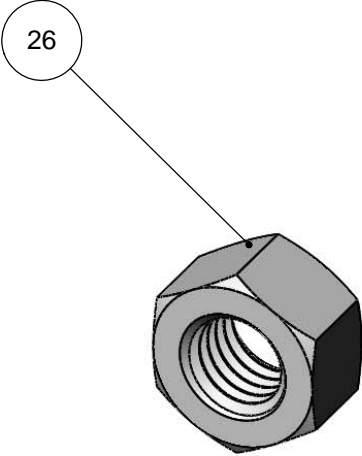
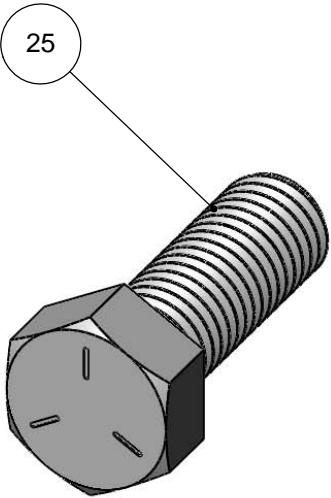
ITEM #	PART #	DESCRIPTION	QTY
17	34110442	U-BOLT 1/2"-13x4" SQ ZINC	12
18	34110251	1/2" SPLIT LOCK WASHER ZINC	24
19	34110252	1/2"-13 HEX NUT ZINC	26
20	34110257	5/8" SHOULDER BOLT 1" LONG STEEL	2
21	34110215	NYLON WASHER .08x1.25x.75 ID	2
22	34110256	3/8"-16x3" CARRIAGE BOLT ZINC GRADE A307	2
23	34110255	3/8"-16 HEX NUT ZINC	2
24	34110281	3/8" WASHER ZINC	2



THE INFORMATION CONTAINED IN THIS DRAWING IS PROTECTED BY COPYRIGHT AND PATENT LAWS OF THE UNITED STATES AND OTHER COUNTRIES. ANY REPRODUCTION IN PART OR AS A WHOLE WITHOUT WRITTEN PERMISSION IS PROHIBITED.

		BARRETTE Outdoor Living	
DRAWN: JH	DATE: 09/20/2017	APPROVED:	
DESCRIPTION: U-BOLT SNGL CNT DBLTRK LGUIDE HRDW KIT4"			
SHEET 1 OF 1	REVISION	PART NUMBER	
SCALE 1:1	0	34110397	
WEIGHT:			

ITEM #	PART #	DESCRIPTION	QTY
25	34110578	5/8"-11X1-3/4 BOLT HEX HD ZINC GRADE 5	1
26	34110579	5/8"-11 HEX NUT ZINC	1
27	34110580	5/8" FLAT WASHER ZINC	2



THE INFORMATION CONTAINED IN THIS DRAWING IS PROTECTED BY COPYRIGHT AND PATENT LAWS OF THE UNITED STATES AND OTHER COUNTRIES. ANY REPRODUCTION IN PART OR AS A WHOLE WITHOUT WRITTEN PERMISSION IS PROHIBITED.

		BARRETTE Outdoor Living	
DRAWN: JS	DATE: 08/03/2017	APPROVED:	
DESCRIPTION: HARDWARE KIT CANTILEVER GATE STOP			
SHEET 1 OF 1	REVISION	PART NUMBER	
SCALE 1:1		61123135	
WEIGHT:			