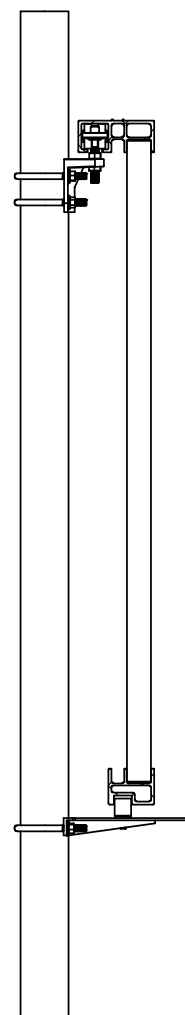
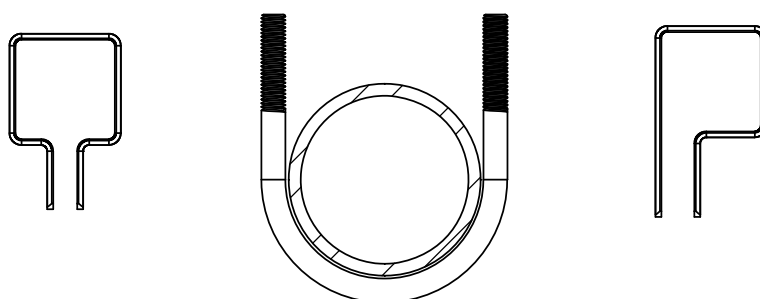




# U-BOLT SINGLE CHAINLINK CANTILEVER

SINGLE TRACK LWR INT GUIDE W/ 4" ROUND POST  
*Installation Kit - Instructions 4"*

SKU	COLOR
61123523	BEIGE
61123524	BLACK
61123525	FLORIDA BRONZE
61123526	GREEN
61123527	GRAY
61123528	LIGHT BRONZE
61119079	MATTE BLACK
61123263	MILL
61119080	MATTE BRONZE
61123529	WHITE





ITEM #	PART #				DESCRIPTION	QTY
1	34110610				U-BOLT SNG CHAINLINK CANTILEVER SNG TRACK LOWER INTERIOR GUIDE WITH ROUND POST -INSTR	1
2	61123551				HARDWARE KIT - CHLINK RD POST GUIDE BRKT	2
3	61123135				HARDWARE KIT CANTILEVER GATE STOP	1
4	34110214				TROLLEY BRACKET ROUND POST	2
5	34110629				CHLINK RD POST GUIDE BRACKET W/O ROLLERS	2
6	73022674				8 WHEEL TROLLEY	2
7	34110162				CHAINLINK RECEIVER ROUND POST	1
8	61123143	BG	61123148	LB	CHAINLINK COVER - SINGLE TRACK	1
	61123144	BK	61119111	MB		
	61123145	BZ	61123149	MF		
	61123146	GR	61119112	MZ		
	61123147	GY	61123150	WH		
9	61123159	BG	61123164	LB	CHAINLINK COVER - BTM GUIDE FRAME	1
	61123160	BK	61119052	MB		
	61123161	BZ	61123165	MF		
	61123162	GR	61119053	MZ		
	61123163	GY	61123166	WH		
10	73022816	BG	73026018	GY	SCREW #14X1-1/2 HX HD SDS 410 SS	10
	73022817	BK	73022820	LB		
	73022818	BZ	73022415	MF		
	73022819	GR	73022821	WH		
11	34110341				GREASE 3 OZ.	1
12	61124153	BK	73022455	MF	CHAIN LINK TENSION BAND	TBD*
13	61124154	BK	73022456	MF	BARBED WIRE BRACE BAND	6**
14	34110107				3/8"-16 HEX NUT ZINC	TBD***
15	34110108				3/8"-16X1-1/2" CARRIAGE BOLT ZINC GRADE A307	TBD***

\* - QUANTITY DETERMINED BY GATE HEIGHT - SEE TABLE BELOW

\*\* - ONLY IF BARBED WIRE BRACE BAND REQUIRED

\*\*\* - SAME NUMBER AS CHAINLINK TENSION BAND  
+ 6 ( IF BARBED WIRE BRACE BAND REQUIRED)

GATE HEIGHT (FT)	NUMBER OF TENSION BANDS
4	6
5	8
6	10
8	14

		<b>BARRETTE Outdoor Living</b>	
DRAWN: JS	DATE: 09/20/2017	APPROVED:	
DESCRIPTION: U-BOLT SNG CHLINK CNT SNG TRK INSTR RD			
SHEET 1 OF 13	REVISION:	PART NUMBER	
SCALE:		34110610	
WEIGHT:			

THE INFORMATION CONTAINED IN THIS DRAWING IS PROTECTED BY COPYRIGHT AND PATENT LAWS OF THE UNITED STATES AND OTHER COUNTRIES. ANY REPRODUCTION IN PART OR AS A WHOLE WITHOUT WRITTEN PERMISSION IS PROHIBITED.

16	34110589			5/8" SHOULDER BOLT 1.25" LONG STEEL	1	
17	34110287			1.43" DIA. DERLIN GUIDE WHEEL	1	
18	34110215			NYLON WASHER .08x1.25x.75 ID	1	
19	34110590			7/16" FLAT WASHER ZINC	2	
20	34110591			1/2"-13 FLANGE NUT ZINC	1	
21	34110578			5/8"-11X1-3/4 BOLT HEX HD ZINC GRADE 5	1	
22	34110579			5/8"-11 HEX NUT ZINC	1	
23	34110580			5/8" FLAT WASHER ZINC	2	
24	61124157	BK	61124155	MF	BOLT-ON BARB WIRE UPRIGHT	TBD*
25	34110855			SCREW - 5/16-12 X 1-1/2 HWH SDS ZINC	TBD**	



\* - QUANTITY DETERMINED BY NUMBER OF UPRIGHTS IN THE GATE OPENING

\*\* - NUMBER OF ITEMS FROM ROW 24 MULTIPLIED BY 2

**NOTES:**

- 1.) ITEM #16 TO #20 IS PART OF 61123551 HARDWARE KIT ( SEE ITEM 2)
- 2.) ITEM #21 TO #23 IS PART OF 61123135 HARDWARE KIT ( SEE ITEM 3)
- 3.) U-BOLTS, NUTS AND WASHERS PROVIDED WITH BRACKETS AND RECEIVER.
- 4.) FOR MATTE BLACK KITS USE BLACK SCREWS
- 5.) FOR MATTE BRONZE KITS USE LIGHT BRONZE SCREWS

THE INFORMATION CONTAINED IN THIS DRAWING IS PROTECTED BY COPYRIGHT AND PATENT LAWS OF THE UNITED STATES AND OTHER COUNTRIES. ANY REPRODUCTION IN PART OR AS A WHOLE WITHOUT WRITTEN PERMISSION IS PROHIBITED.

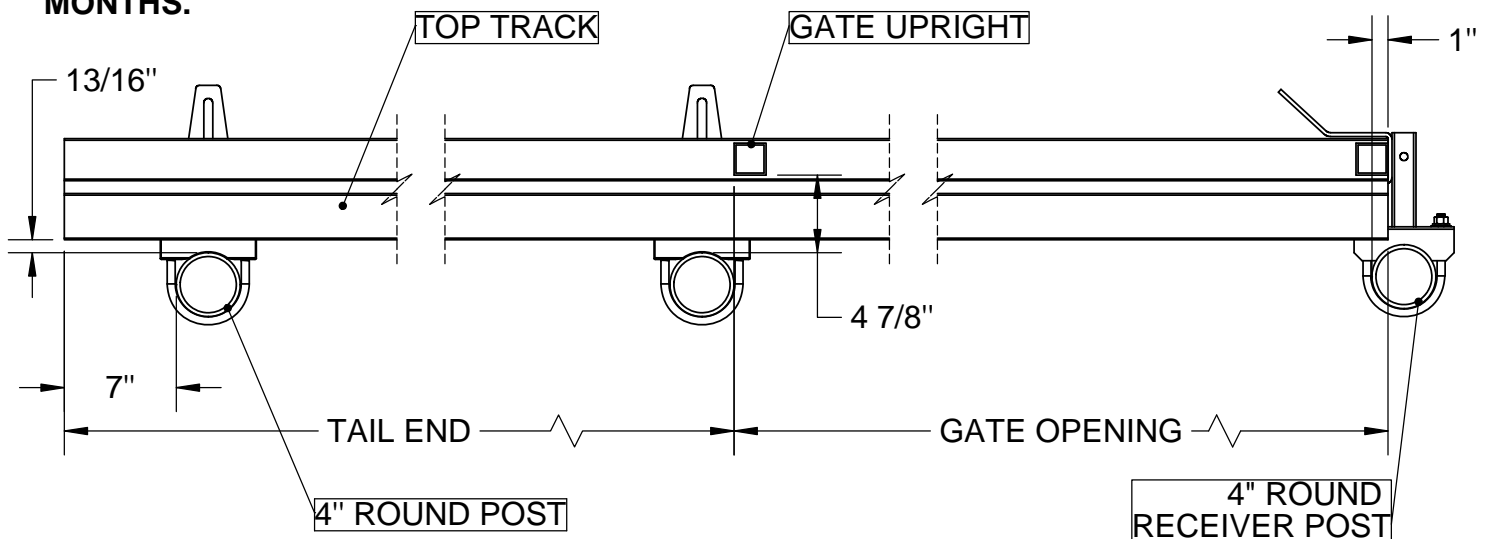
		<b>BARRETTE Outdoor Living</b>	
DRAWN: JS	DATE: 09/20/2017	APPROVED:	
DESCRIPTION: <b>U-BOLT SNG CHLINK CNT SNG TRK INSTR RD</b>			
SHEET 2 OF 13	REVISION:	PART NUMBER	
SCALE:		<b>34110610</b>	
WEIGHT:			

# INSTALLATION PROCEDURE:

- 1.SET 4" ROUND POSTS IN THE GROUND - SEE POST LOCATION BELOW.
- 2.INSTALL TOP BRACKET (ITEM #4) AND WHEEL TROLLEY ( ITEM #6) - SEE SHEET 4
- 3.INSTALL BTM BRACKET (ITEM #5) AND GUIDE WHEEL ( ITEM #17) - SEE SHEET 5
- 4.PLACE GATE IN THE POSITION - SLIDE GATE TOP TRACK INTO WHEEL TROLLEY (ITEM #6) AND BTM ROLLER GUIDE ON GUIDE WHEEL (ITEM #17) - SEE SHEET 6
- 5.INSTALL CHAINLINK RECEIVER ROUND (ITEM #7) - SEE SHEET 7
- 6.INSTALL GATE STOP (BOLT-ITEM #21,NUT- ITEM #22,WASHERS-ITEM # 23) ON THE END OF THE TRACK - SEE SHEET 8 ( **ONE GATE STOP REQUIRED ONLY - PER LEAF**)
- 7.INSTALL COVER-TOP TRACK (ITEM #8) ON THE END OF THE TOP TRACK - SEE SHEET 9
- 8.INSTALL COVER-BTM FRAME (ITEM #9) ON THE END OF THE BTM FRAME - SEE SHEET 10
- 9.INSTALL TENSION BANDS (ITEM #12) ON THE UPRIGHT - SEE SHEET 11 ( IF REQUIRED)
- 10.INSTALL BARBED WIRE TENSION UPRIGHTS (ITEM #24) ON TOP TRACK. UPRIGHTS NEEDS TO BE WELDED (BY MANUFACTURER) OR BOLTED (BY CUSTOMER) - SEE SHEET 12 (IF REQUIRED)
- 11.INSTALL BARBED WIRE TENSION BANDS (ITEM #13) ON THE UPRIGHT - SEE SHEET 13 ( IF REQUIRED)

## NOTE:

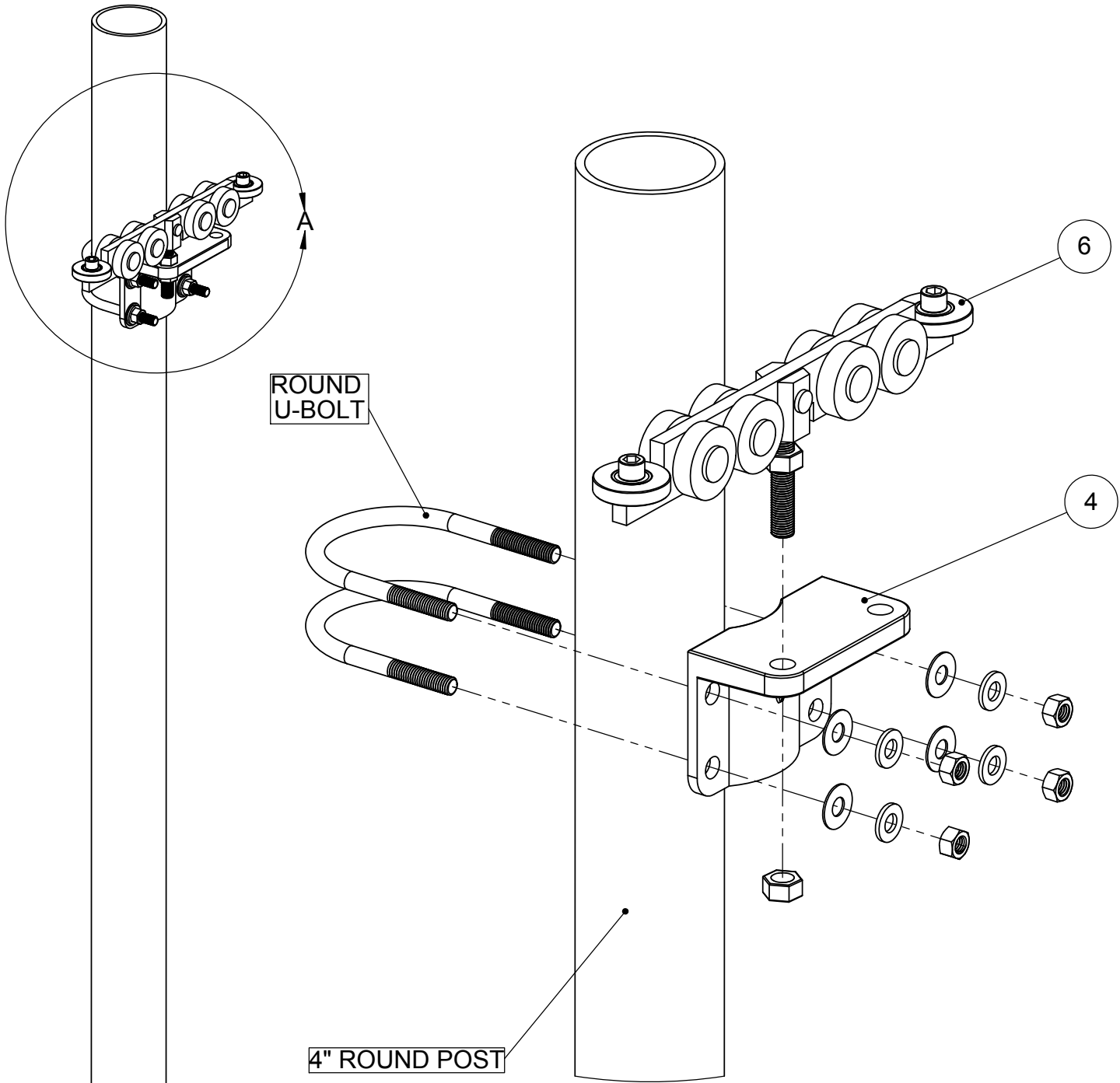
- **APPLY GREASE (ITEM #11) ON THE SHOULDER BOLTS (ITEM #16), INSIDE GUIDE WHEELS (ITEM # 17) AND TOP OF NYLON WASHER (ITEM #18). MAINTAIN GREASE EVERY 4 TO 6 MONTHS.**



**POST LOCATION DETAIL  
SCALE 1:12**

THE INFORMATION CONTAINED IN THIS DRAWING IS PROTECTED BY COPYRIGHT AND PATENT LAWS OF THE UNITED STATES AND OTHER COUNTRIES. ANY REPRODUCTION IN PART OR AS A WHOLE WITHOUT WRITTEN PERMISSION IS PROHIBITED.

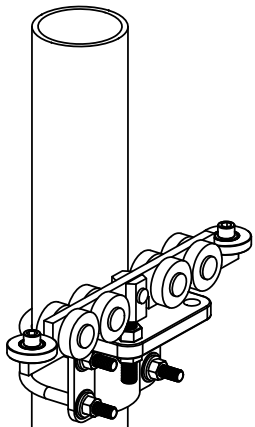
<b>Barrette</b>		<b>BARRETTE Outdoor Living</b>	
DRAWN: JS	DATE: 09/20/2017	APPROVED:	
DESCRIPTION: U-BOLT SNG CHLINK CNT SNG TRK INSTR RD			
SHEET 3 OF 13	REVISION	PART NUMBER	
SCALE 1:12	0	<b>34110610</b>	
WEIGHT:			



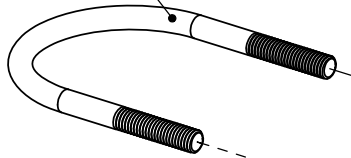
DETAIL A - TOP BRACKET  
SCALE 1 : 4

<b>Barrette</b>		<b>BARRETTE Outdoor Living</b>	
DRAWN: JS	DATE: 09/20/2017	APPROVED:	
DESCRIPTION: <b>U-BOLT SNG CHLINK CNT SNG TRK INSTR RD</b>			
SHEET 4 OF 13	REVISION: 0	PART NUMBER: <b>34110610</b>	
SCALE 1:4			
WEIGHT:			

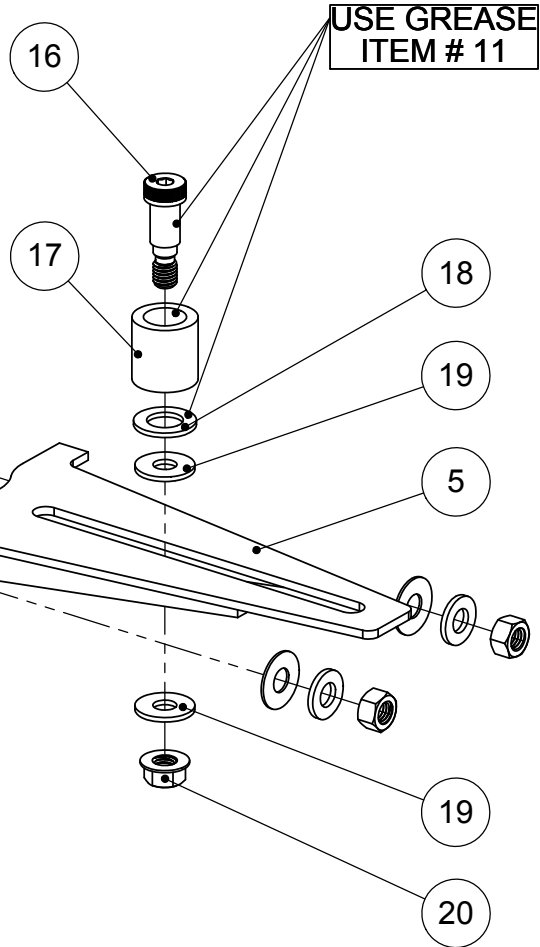
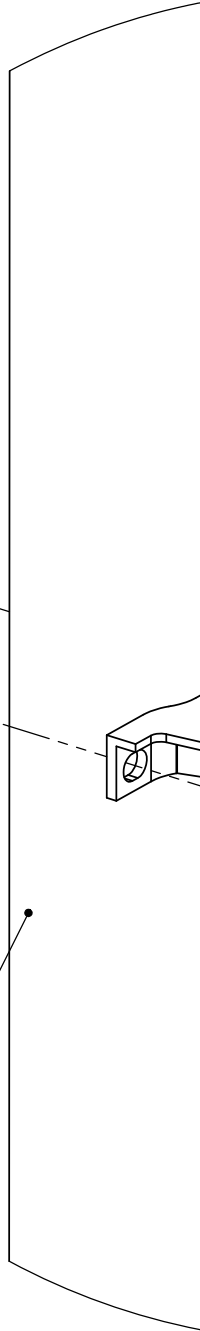
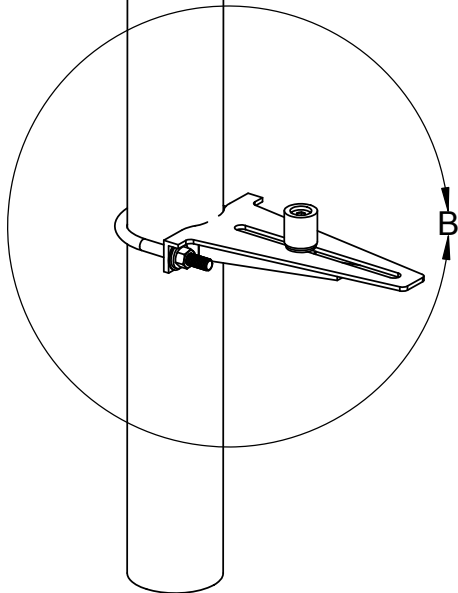
THE INFORMATION CONTAINED IN THIS DRAWING IS PROTECTED BY COPYRIGHT AND PATENT LAWS OF THE UNITED STATES AND OTHER COUNTRIES. ANY REPRODUCTION IN PART OR AS A WHOLE WITHOUT WRITTEN PERMISSION IS PROHIBITED.



ROUND U-BOLT



4" ROUND POST

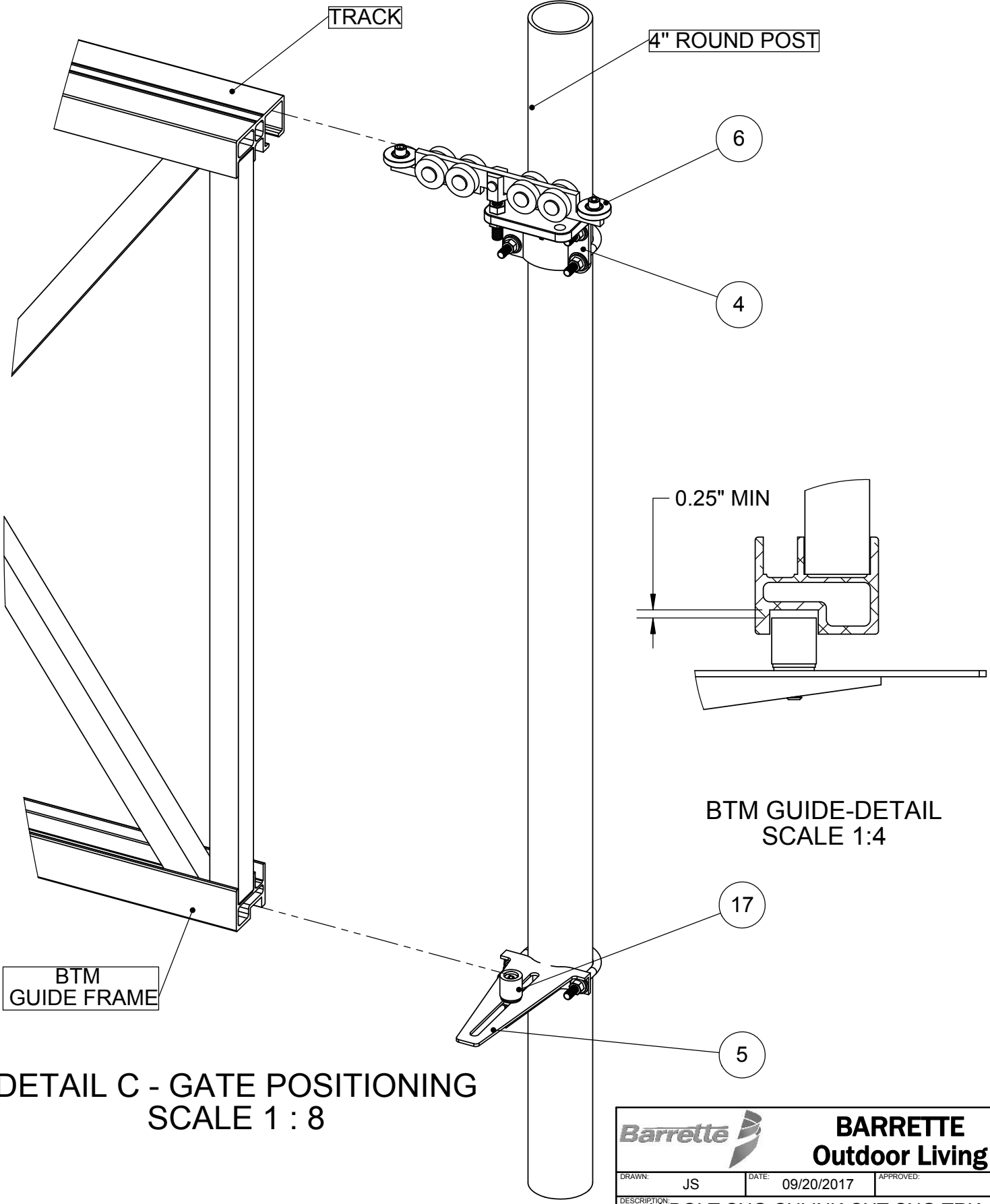


USE GREASE  
ITEM # 11

DETAIL B - BTM BRACKET  
SCALE 1 : 4

THE INFORMATION CONTAINED IN THIS DRAWING IS PROTECTED BY COPYRIGHT AND PATENT LAWS OF THE UNITED STATES AND OTHER COUNTRIES. ANY REPRODUCTION IN PART OR AS A WHOLE WITHOUT WRITTEN PERMISSION IS PROHIBITED.

<b>Barrette</b>		<b>BARRETTE Outdoor Living</b>	
DRAWN: JS	DATE: 09/20/2017	APPROVED:	
DESCRIPTION: U-BOLT SNG CHLINK CNT SNG TRK INSTR RD			
SHEET 5 OF 13	REVISION	PART NUMBER	
SCALE 1:4	0	<b>34110610</b>	
WEIGHT:			

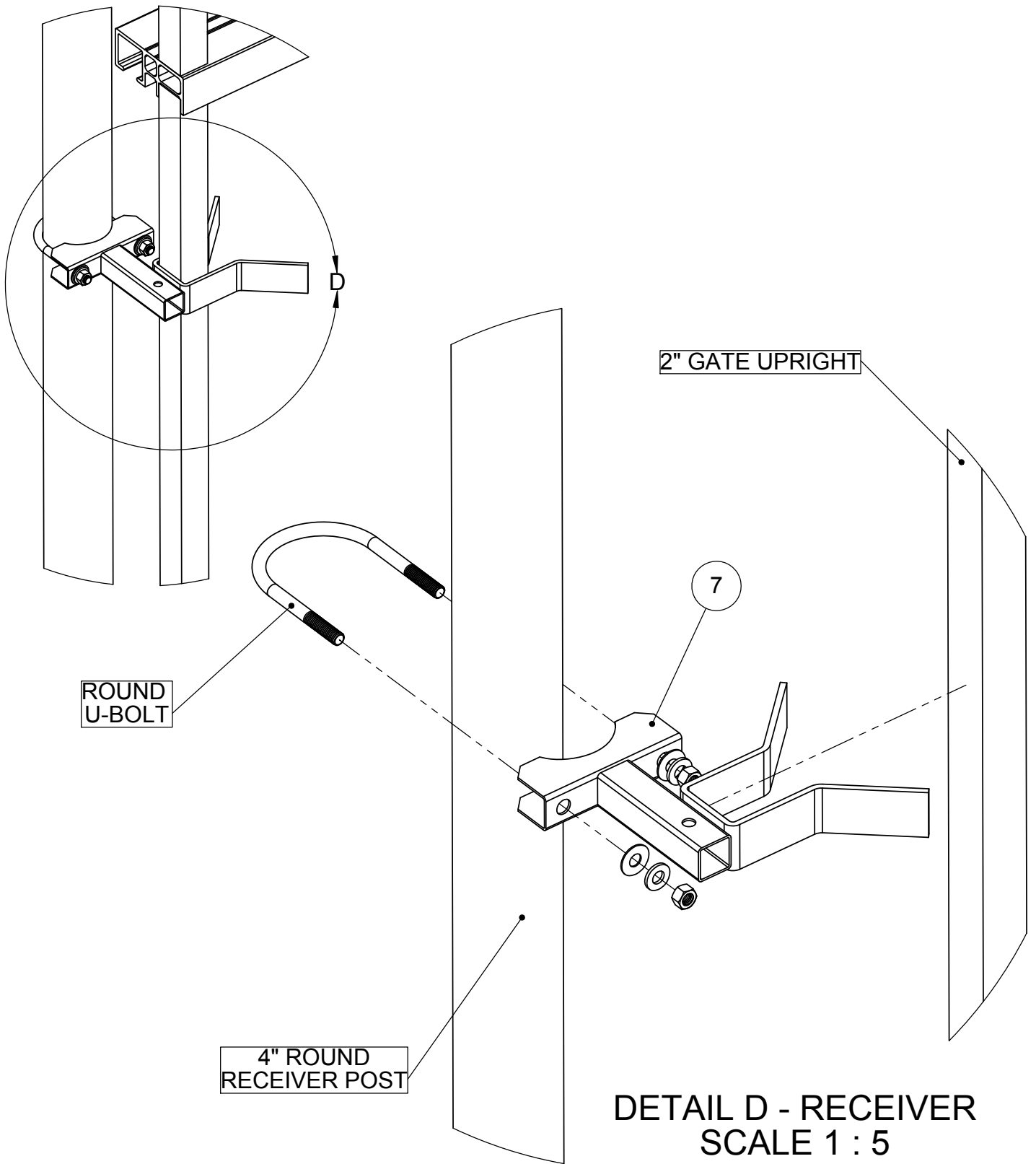


**DETAIL C - GATE POSITIONING**  
**SCALE 1 : 8**

**BTM GUIDE-DETAIL**  
**SCALE 1:4**

THE INFORMATION CONTAINED IN THIS DRAWING IS PROTECTED BY COPYRIGHT AND PATENT LAWS OF THE UNITED STATES AND OTHER COUNTRIES. ANY REPRODUCTION IN PART OR AS A WHOLE WITHOUT WRITTEN PERMISSION IS PROHIBITED.

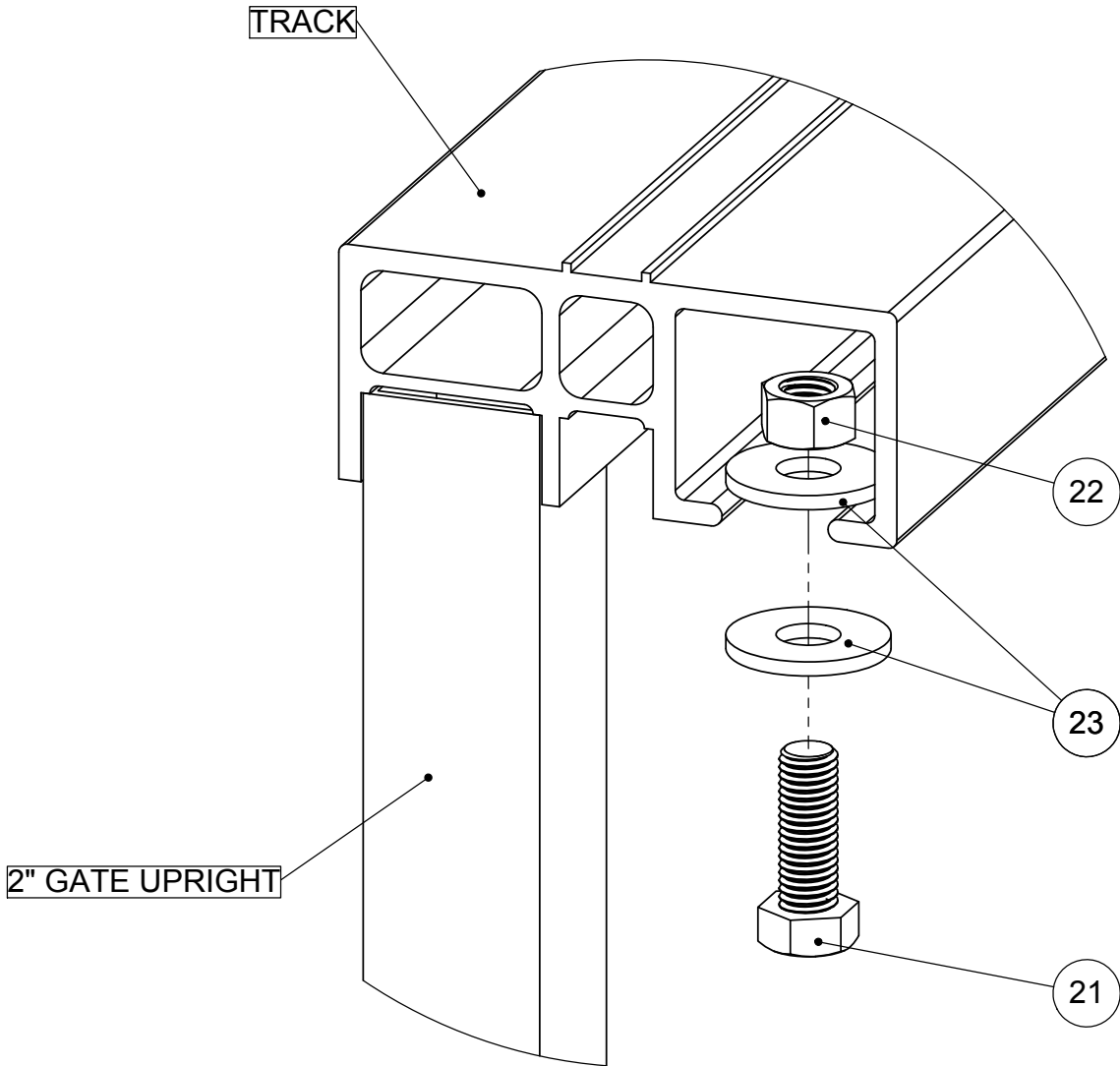
<b>Barrette</b>		<b>BARRETTE</b>	
		<b>Outdoor Living</b>	
DRAWN: JS	DATE: 09/20/2017	APPROVED:	
DESCRIPTION: U-BOLT SNG CHLINK CNT SNG TRK INSTR RD			
SHEET 6 OF 13	REVISION	PART NUMBER	
SCALE 1:8	0	<b>34110610</b>	
WEIGHT:			



THE INFORMATION CONTAINED IN THIS DRAWING IS PROTECTED BY COPYRIGHT AND PATENT LAWS OF THE UNITED STATES AND OTHER COUNTRIES. ANY REPRODUCTION IN PART OR AS A WHOLE WITHOUT WRITTEN PERMISSION IS PROHIBITED.

<b>Barrette</b>		<b>BARRETTE Outdoor Living</b>	
DRAWN: JS	DATE: 09/20/2017	APPROVED:	
DESCRIPTION: <b>U-BOLT SNG CHLINK CNT SNG TRK INSTR RD</b>			
SHEET 7 OF 13	REVISION	PART NUMBER	
SCALE 1:5	0	<b>34110610</b>	
WEIGHT:			

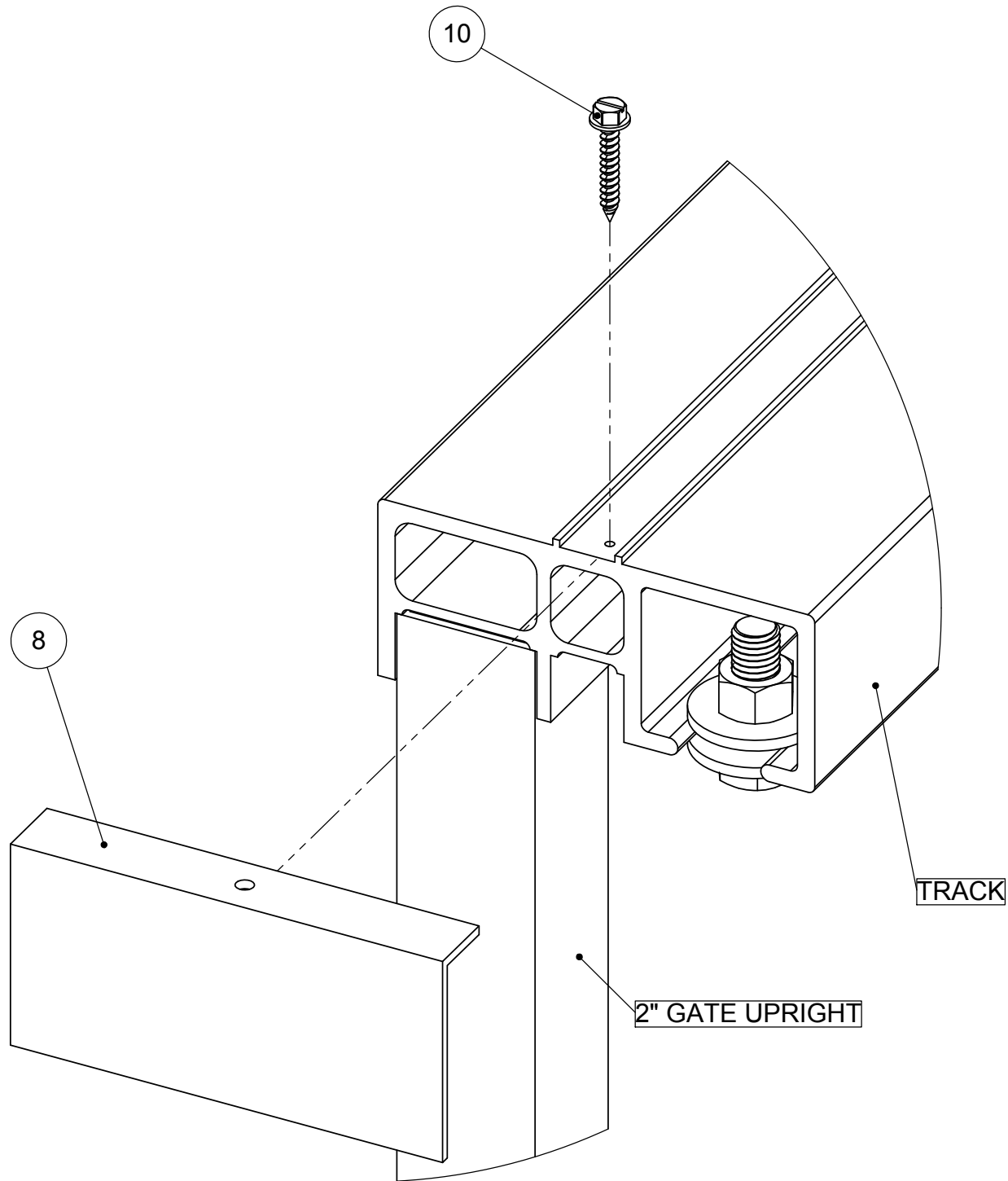




DETAIL E - GATE STOP  
SCALE 1 : 2

THE INFORMATION CONTAINED IN THIS DRAWING IS PROTECTED BY COPYRIGHT AND PATENT LAWS OF THE UNITED STATES AND OTHER COUNTRIES. ANY REPRODUCTION IN PART OR AS A WHOLE WITHOUT WRITTEN PERMISSION IS PROHIBITED.

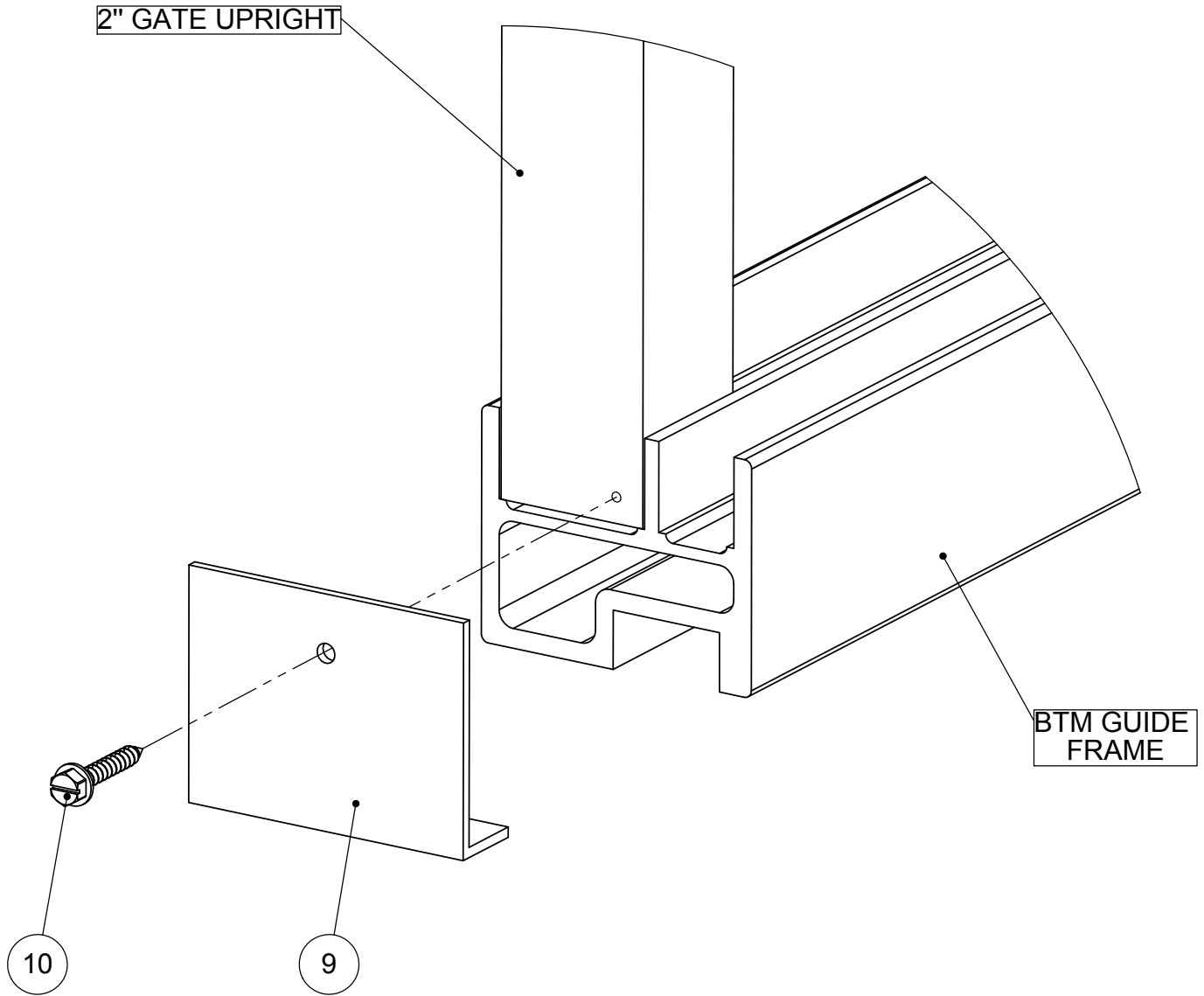
<b>Barrette</b>		<b>BARRETTE Outdoor Living</b>	
DRAWN: JS	DATE: 09/20/2017	APPROVED:	
DESCRIPTION: <b>U-BOLT SNG CHLINK CNT SNG TRK INSTR RD</b>			
SHEET 8 OF 13	REVISION	PART NUMBER	
SCALE 1:2	0	<b>34110610</b>	
WEIGHT:			



DETAIL F - END COVER-SINGLE TRACK  
SCALE 1 : 2

THE INFORMATION CONTAINED IN THIS DRAWING IS PROTECTED BY COPYRIGHT AND PATENT LAWS OF THE UNITED STATES AND OTHER COUNTRIES. ANY REPRODUCTION IN PART OR AS A WHOLE WITHOUT WRITTEN PERMISSION IS PROHIBITED.

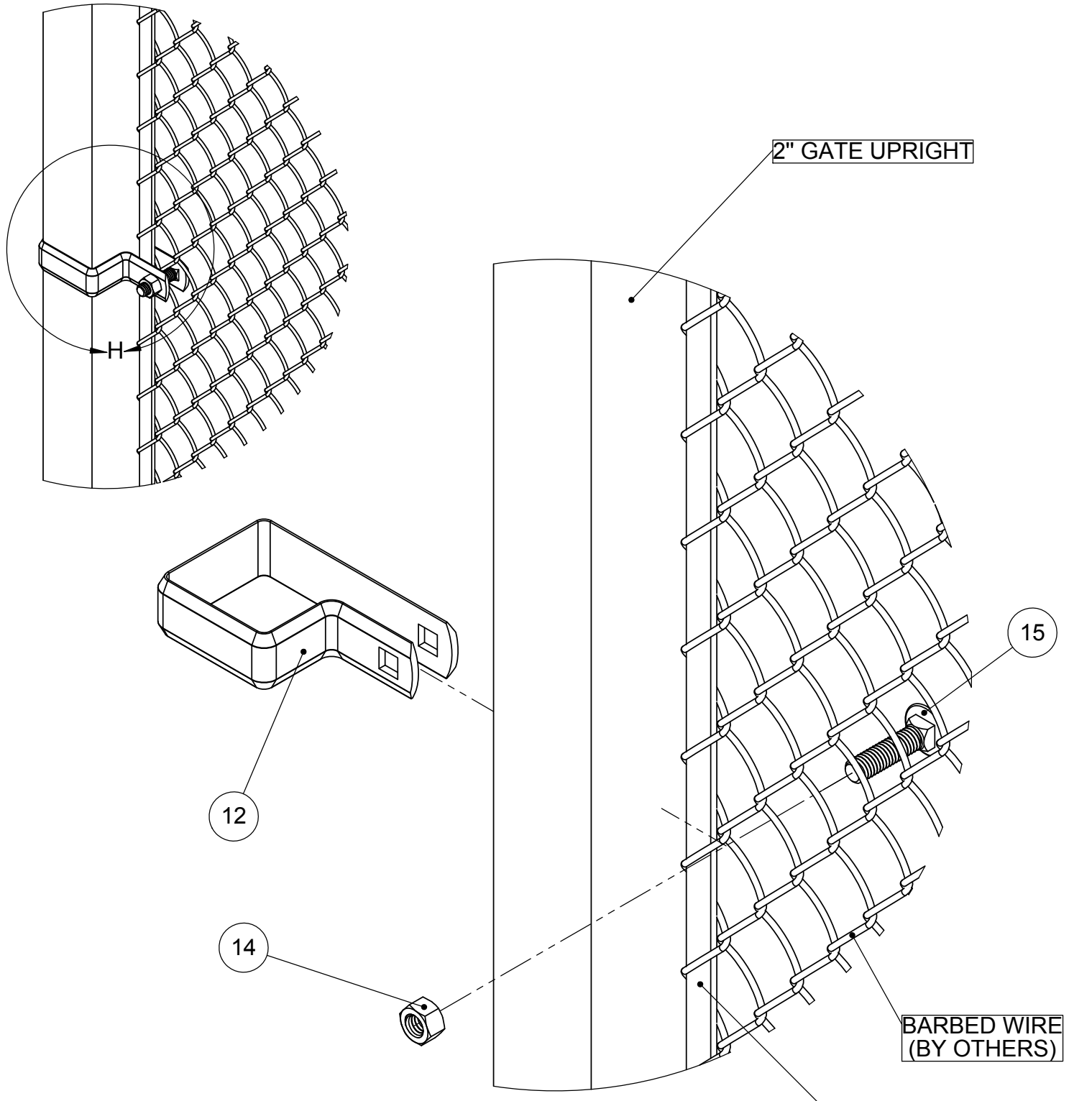
<b>Barrette</b>		<b>BARRETTE Outdoor Living</b>	
DRAWN: JS	DATE: 09/20/2017	APPROVED:	
DESCRIPTION: <b>U-BOLT SNG CHLINK CNT SNG TRK INSTR RD</b>			
SHEET 9 OF 13	REVISION	PART NUMBER	
SCALE 1:2	0	<b>34110610</b>	
WEIGHT:			



DETAIL G - END COVER-BTM GUIDE FRAME  
SCALE 1 : 2

THE INFORMATION CONTAINED IN THIS DRAWING IS PROTECTED BY COPYRIGHT AND PATENT LAWS OF THE UNITED STATES AND OTHER COUNTRIES. ANY REPRODUCTION IN PART OR AS A WHOLE WITHOUT WRITTEN PERMISSION IS PROHIBITED.

<b>Barrette</b>		<b>BARRETTE Outdoor Living</b>	
DRAWN: JS	DATE: 09/20/2017	APPROVED:	
DESCRIPTION: U-BOLT SNG CHLINK CNT SNG TRK INSTR RD			
SHEET 10 OF 13	REVISION	PART NUMBER	
SCALE 1:2	0	34110610	
WEIGHT:			



DETAIL H - TENSION BAND  
SCALE 1 : 2

THE INFORMATION CONTAINED IN THIS DRAWING IS PROTECTED BY COPYRIGHT AND PATENT LAWS OF THE UNITED STATES AND OTHER COUNTRIES. ANY REPRODUCTION IN PART OR AS A WHOLE WITHOUT WRITTEN PERMISSION IS PROHIBITED.

<b>Barrette</b>		<b>BARRETTE Outdoor Living</b>	
DRAWN: JS	DATE: 09/20/2017	APPROVED:	
DESCRIPTION: <b>U-BOLT SNG CHLINK CNT SNG TRK INSTR RD</b>			
SHEET 11 OF 13	REVISION	PART NUMBER	
SCALE 1:2	0	<b>34110610</b>	
WEIGHT:			

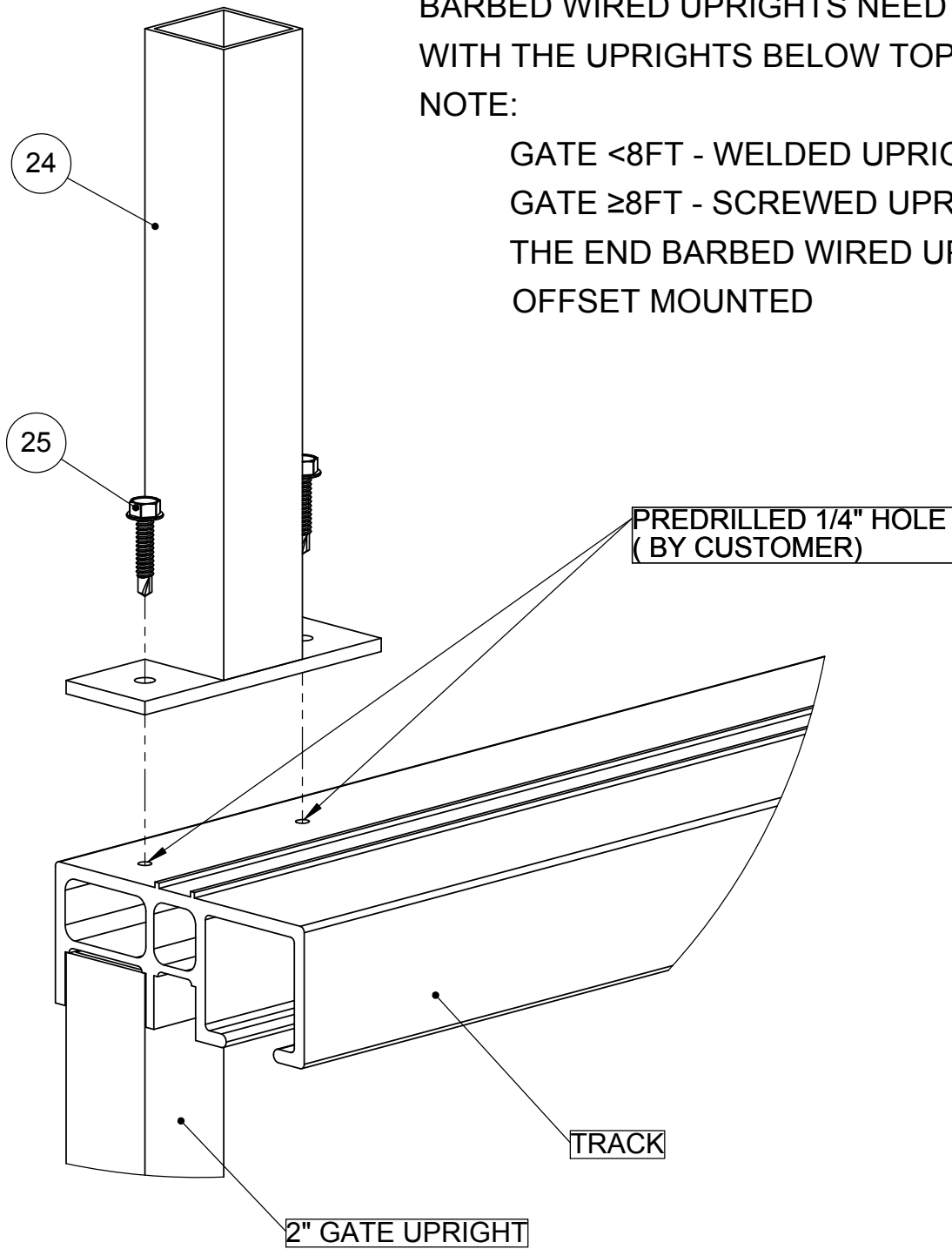
BARBED WIRED UPRIGHTS NEED TO ALIGN WITH THE UPRIGHTS BELOW TOP FRAME.

NOTE:

GATE <8FT - WELDED UPRIGHT

GATE ≥8FT - SCREWED UPRIGHT

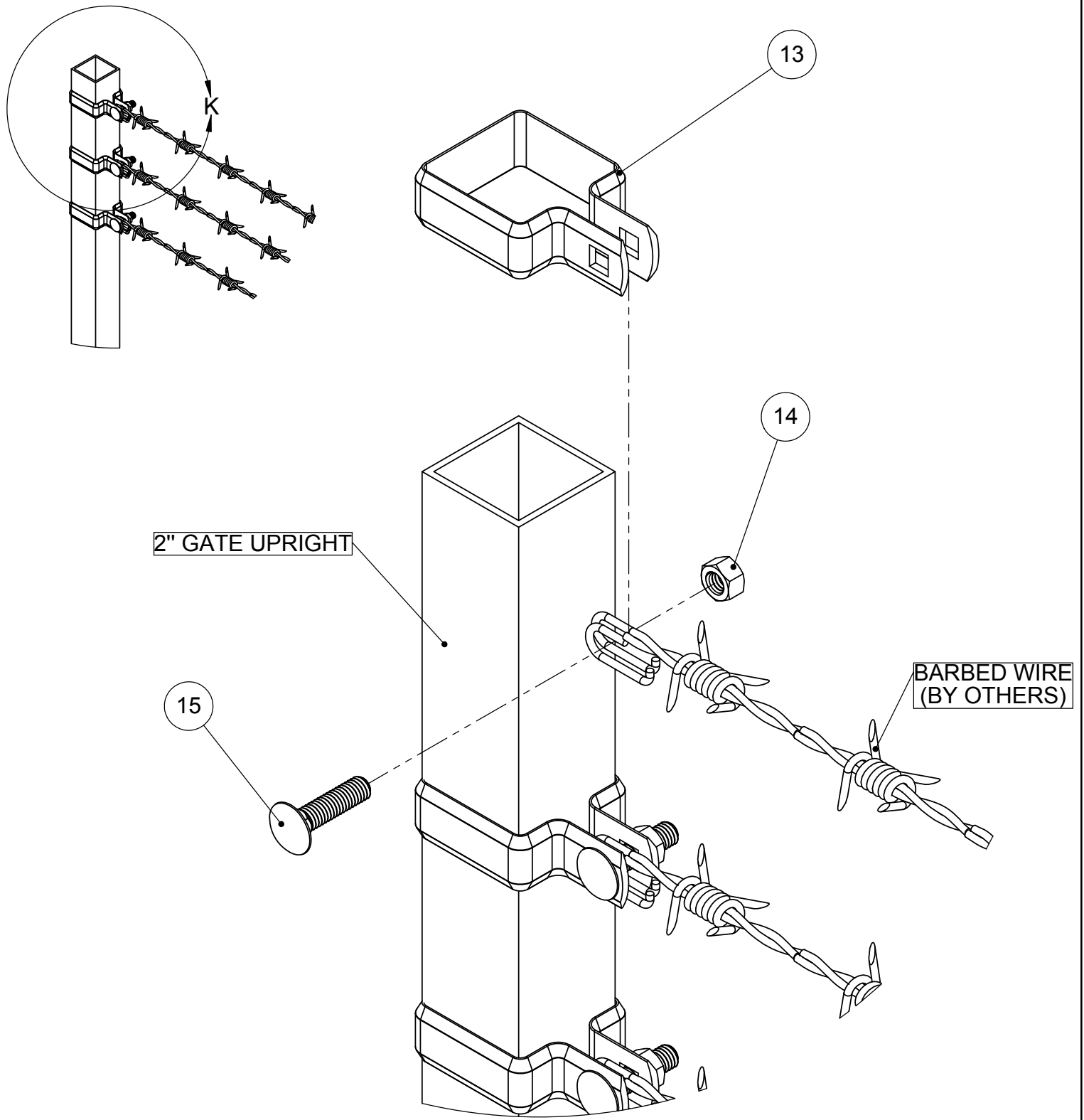
THE END BARBED WIRED UPRIGHT IS OFFSET MOUNTED



DETAIL J - BARBED WIRE UPRIGHT  
SCALE 1 : 3

THE INFORMATION CONTAINED IN THIS DRAWING IS PROTECTED BY COPYRIGHT AND PATENT LAWS OF THE UNITED STATES AND OTHER COUNTRIES. ANY REPRODUCTION IN PART OR AS A WHOLE WITHOUT WRITTEN PERMISSION IS PROHIBITED.

<b>Barrette</b>		<b>BARRETTE Outdoor Living</b>	
DRAWN: JS	DATE: 09/20/2017	APPROVED:	
DESCRIPTION: U-BOLT SNG CHLINK CNT SNG TRK INSTR RD			
SHEET 12 OF 13	REVISION	PART NUMBER	
SCALE 1:3	0	34110610	
WEIGHT:			

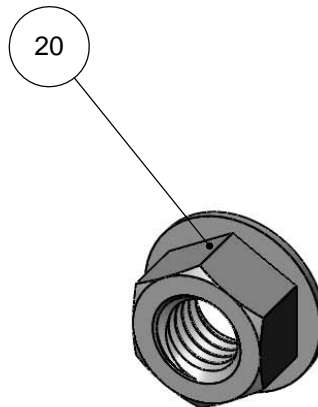
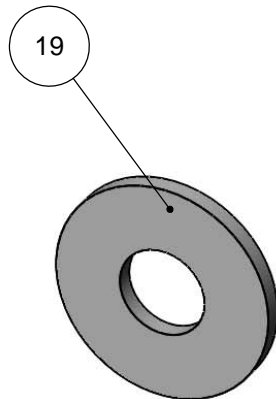
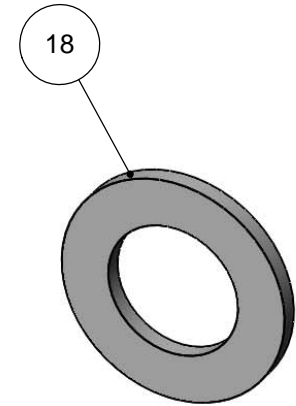
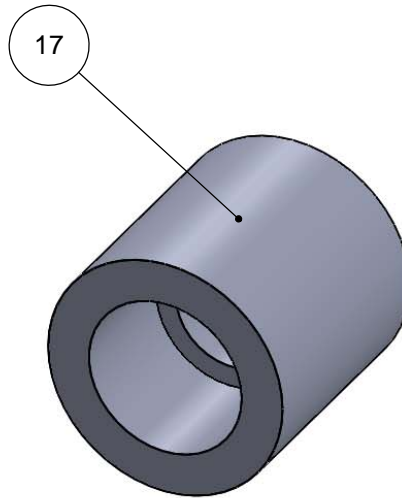
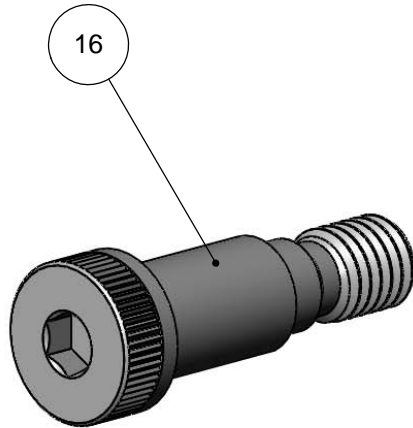


DETAIL K - BARBED WIRE BRACE BAND  
SCALE 1 : 2

THE INFORMATION CONTAINED IN THIS DRAWING IS PROTECTED BY COPYRIGHT AND PATENT LAWS OF THE UNITED STATES AND OTHER COUNTRIES. ANY REPRODUCTION IN PART OR AS A WHOLE WITHOUT WRITTEN PERMISSION IS PROHIBITED.

<b>Barrette</b>		<b>BARRETTE Outdoor Living</b>	
DRAWN: JS	DATE: 09/20/2017	APPROVED:	
DESCRIPTION: U-BOLT SNG CHLINK CNT SNG TRK INSTR RD			
SHEET 13 OF 13	REVISION	PART NUMBER	
SCALE 1:2	0	34110610	
WEIGHT:			

ITEM #	PART #	DESCRIPTION	QTY
16	34110589	5/8" SHOULDER BOLT 1.25" LONG STEEL	1
17	34110287	1.43" DIA. DERLIN GUIDE WHEEL	1
18	34110215	NYLON WASHER .08x1.25x.75 ID	1
19	34110590	7/16" FLAT WASHER ZINC	2
20	34110591	1/2"-13 FLANGE NUT ZINC	1

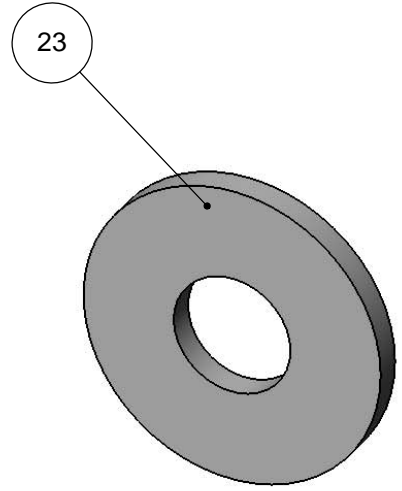
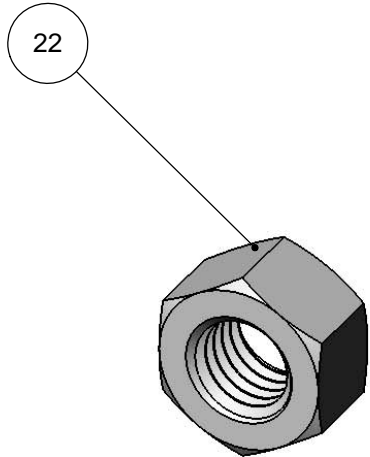
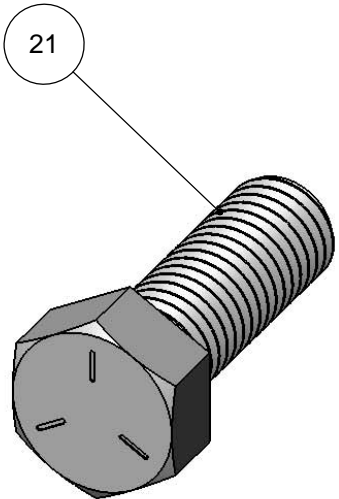


NOTE:  
KIT ASSEMBLED AT HARDWARE DEPARTMENT.

THE INFORMATION CONTAINED IN THIS DRAWING IS PROTECTED BY COPYRIGHT AND PATENT LAWS OF THE UNITED STATES AND OTHER COUNTRIES. ANY REPRODUCTION IN PART OR AS A WHOLE WITHOUT WRITTEN PERMISSION IS PROHIBITED.

		<b>BARRETTE</b> Outdoor Living	
DRAWN: JS	DATE: 09/22/2017	APPROVED:	
DESCRIPTION: HARDWARE KIT - GUIDE BRACKET ROUND POST			
SHEET 1 OF 1	REVISION	PART NUMBER	
SCALE 1:1	0	61123551	
WEIGHT:			

ITEM #	PART #	DESCRIPTION	QTY
21	34110578	5/8"-11X1-3/4 BOLT HEX HD ZINC GRADE 5	1
22	34110579	5/8"-11 HEX NUT ZINC	1
23	34110580	5/8" FLAT WASHER ZINC	2



THE INFORMATION CONTAINED IN THIS DRAWING IS PROTECTED BY COPYRIGHT AND PATENT LAWS OF THE UNITED STATES AND OTHER COUNTRIES. ANY REPRODUCTION IN PART OR AS A WHOLE WITHOUT WRITTEN PERMISSION IS PROHIBITED.

		<b>BARRETTE</b> Outdoor Living	
DRAWN: JS	DATE: 09/22/2017	APPROVED:	
DESCRIPTION: <b>HARDWARE KIT CANTILEVER GATE STOP</b>			
SHEET 1 OF 1	REVISION	PART NUMBER	
SCALE 1:1		<b>61123135</b>	
WEIGHT:			