





THE OUTSIDE COMPANY™



Get outside and live your best life

We realize that inside each of us, there is an Outside Side™ — a side begging to get out there, to be outgoing, to break out of our same old inside routines and to outdo ourselves with our outdoor space. At Barrette Outdoor Living, we help your Outside Side run free with products that constantly beckon you out there. We know there is an Outside Side in everyone and we're firm believers that it's our best side because we're The Outside Company™.

Your vision

Your home is more than just a space. It's where you raise a family. It's where friends gather, and seasons come and go. It is a living, breathing picture of your life. With our diverse and flexible range of outdoor living solutions, Barrette Outdoor Living can help you bring any vision to life.

Our partnership

By partnering with Barrette Outdoor Living, you have the support of one of the largest and most innovative manufacturers in the outdoor products industry. Our goal is simple — providing you with the tools you need to drive customers to your business.



Our promise to you

At Barrette Outdoor Living, we believe in making things right. We proudly stand behind our products by providing dedicated support, superior customer service and product warranties that feature some of the most comprehensive coverage in the industry. With decades of experience behind us, we are quite confident in the craftsmanship and quality of our products, but we also realize things happen. If that thing happens, we promise to make it right within the constraints of our warranties.



Leading the way



Crafting quality



Making it right



Being responsible

Barrette Outdoor Living can help make your outdoor vision a reality. Proud to be an American manufacturer, we produce and distribute fencing, railing, decking and complementary outdoor products. **To learn more, visit us at barretteoutdoorliving.com/warranty**

GATE HARDWARE & ACCESSORIES

Barrette Outdoor Living offers an extensive collection of hardware options that securely and safely complete the gate portion of any fence installation. Crafted with care, and tested to ensure that our hardware will withstand a lifetime of openings, we are confident we have the right hardware for your needs.

KEY FEATURES

- DIY-friendly products that are easy to install and operate – turning any fence panel into a fully operating gate.
- Locking Pool Safety Latch has surpassed a one million cycle test to ensure safety and features a superior magnet and key-locking feature. Available in both standard and compact sizes.
- Locking Gravity Latches feature easy push button access and have no visible fasteners.
- Hinges undergo rigorous cycle testing to ensure they can withstand a lifetime of openings.
- Superior powder coating on all hardware meets or exceeds AAMA 2604 standards and undergoes rigorous weather testing.
- Limited Lifetime Warranty



Tension control and adjustability

Select hinges offer three-way adjustability, including Tension Control Technology, to control the speed at which gates close.



Self-closing and self-latching

Our self-closing hinges and self-latching latches are a worry-free way to ensure gates securely close and latch every time.



Key-lockable and accepts padlock

Our lockable latches — that use either a key or accept a padlock — provide extra security and safety.



Table of Contents

INTRODUCTION

FACTORS TO CONSIDER	6
HOW TO START YOUR PROJECT	6
COMPATABILITY & GRADES	7

HARDWARE

HINGES	8
LATCHES	40
DROP RODS & ACCESSORIES	70

Product Spotlight

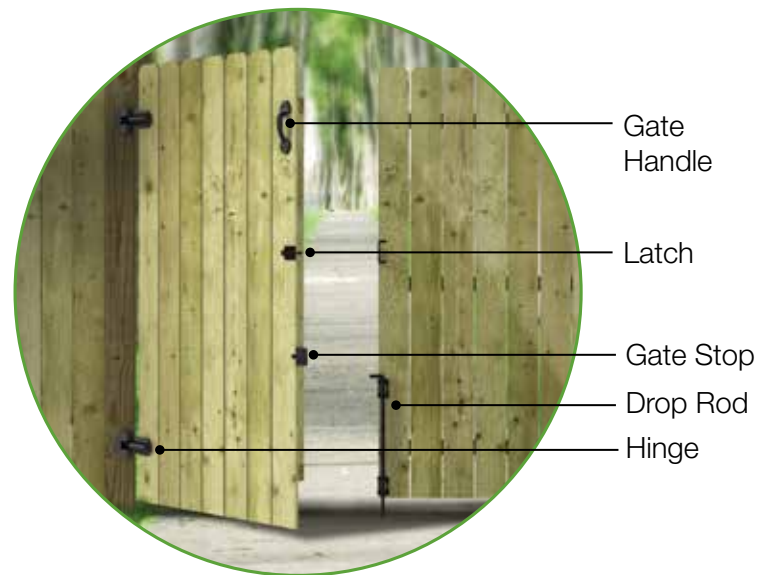
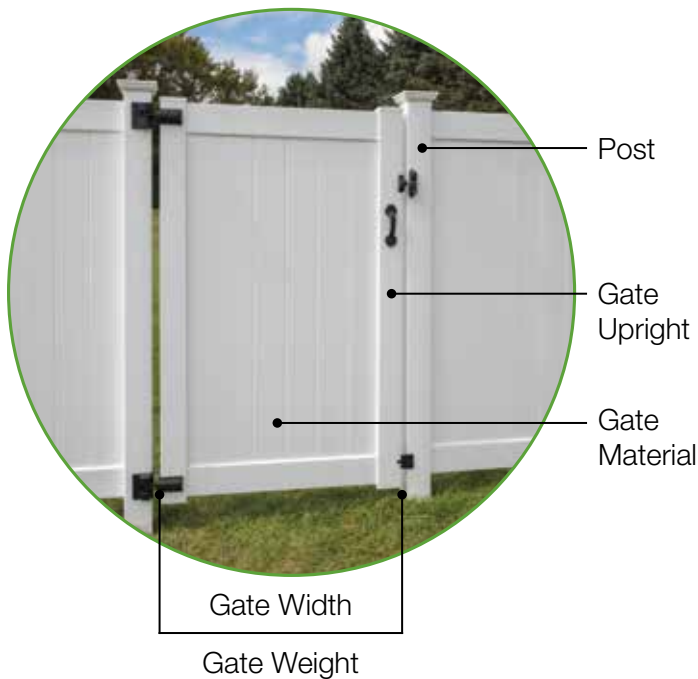
Patent pending SM350 Surface Mount is the strong and easy-to-install solution for surface mounting aluminum fence posts!

See pages 68-69

FACTORS TO CONSIDER

When purchasing Barrette Outdoor Living hardware, the following factors are important to keep in mind to help you find the best solution:

- Gate width and weight
- Gate material type
- Size of gate uprights and posts



HOW TO START YOUR PROJECT

1. Hinge Options

Consider Gate Weight:

- 0-25 lbs.
- 25-50 lbs.
- 50-75 lbs.
- 75+ lbs.

Consider Fence Material:

- Vinyl
- Aluminum
- Steel
- Wood

2. Latch Options

Latches can feature one or more of the following features:

- Self-latching
- Key-lockable
- Accepts padlock
- Meets pool safety codes
- Two-sided entry

3. Accessories

Add gate springs, handles and more as needed.

COMPATIBILITY & GRADES

Products listed below are categorized by which type of gate material they work best with and indicate heavy-duty and/or standard grade.

HINGES	VINYL	ALUMINUM	STEEL	WOOD	CHAIN LINK	FARM	WARRANTY	PAGE
Heavy-Duty Contemporary Wrap Hinge	✔			✔			✔	8
Heavy-Duty Modern Wrap Hinge	✔			✔			✔	8
Standard Wrap Hinge	✔	✔	✔	✔			✔	10
Heavy-Duty Butterfly Hinge	✔	✔	✔	✔			✔	12
Standard Butterfly Hinge	✔	✔	✔	✔			✔	14
Standard Decorative Butterfly Hinge				✔				16
Compact Butterfly Hinge	✔	✔	✔	✔			✔	18
Flush Mount Hinge	✔	✔	✔				✔	20
Heavy-Duty Ornamental T-Hinge				✔				22
Standard Ornamental T-Hinge				✔				24
Heavy-Duty Strap Hinge	✔			✔			✔	26
Standard Strap Hinge	✔			✔			✔	28
Heavy-Duty Double Strap Hinge				✔				30
Standard Half and Double Strap Hinge				✔				32
Heavy-Duty Chain Link/Farm Hinge					✔	✔	✔	34
Standard Chain Link/Farm Hinge					✔	✔	✔	36
Standard Screw Hook & Eye Hinge								38
LATCHES	VINYL	ALUMINUM	STEEL	WOOD	CHAIN LINK	FARM	WARRANTY	PAGE
Locking Pool Safety Latch	✔	✔	✔	✔			✔	40
Round Post Adapter	✔	✔	✔	✔			✔	42
Locking Handle Latch		✔	✔				✔	44
Locking Gravity Latch – One-Sided Key Entry	✔	✔	✔	✔			✔	46
Locking Gravity Latch – Two-Sided Key Entry and Push Button	✔	✔	✔	✔			✔	46
Decorative Gravity Latch	✔	✔	✔	✔			✔	48
Gravity Latch	✔	✔	✔	✔			✔	50
Heavy-Duty Floating Bar Gravity Latch				✔				52
Standard Floating Bar Gravity Latch				✔				54
Heavy-Duty Gate Latch	✔			✔			✔	56
Post Latches				✔				58
Wood Gate Kits				✔				60
Standard Double Butterfly Latch					✔	✔	✔	62
Heavy-Duty Y-Latch		✔					✔	64
Standard Y-Latch		✔					✔	64
Flip Latch	✔	✔	✔	✔			✔	66
Slide Bar Latch	✔	✔	✔	✔			✔	66
All-Purpose Gate Latch				✔				68
Cable Latch				✔				68
DROP RODS & ACCESSORIES	VINYL	ALUMINUM	STEEL	WOOD	CHAIN LINK	FARM	WARRANTY	PAGE
SM350 Surface Mount with Covers		✔					✔	70
Heavy-Duty Drop Rod		✔	✔	✔			✔	72
Standard Drop Rod		✔	✔	✔			✔	74
Gate Stop		✔	✔	✔			✔	76
Gate Handle		✔	✔	✔			✔	76
9" Gate Handle				✔			✔	76
EZ Grip Gate Handle				✔				78
Heavy-Duty Gate Wheel				✔			✔	80
Self-Closing Gate Device						✔	✔	82
10" Gate Spring				✔				84

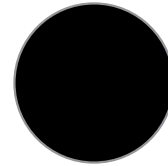
HEAVY-DUTY WRAP HINGES

PRODUCT BENEFITS

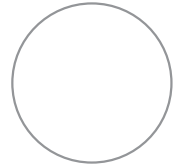
- 3-way adjustability: vertical, horizontal and tension adjustments
- Creates a gate that is self-closing and self-latching
- Pool Code Approved

KIT CONTENTS

- (2) Hinges
- (4) Hinge Covers
- (24) 1½" Square/Phillips Combo Screws



Black



White

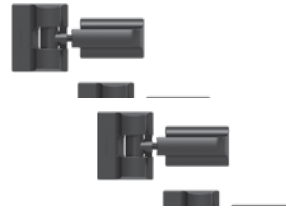


HEAVY-DUTY WRAP HINGES

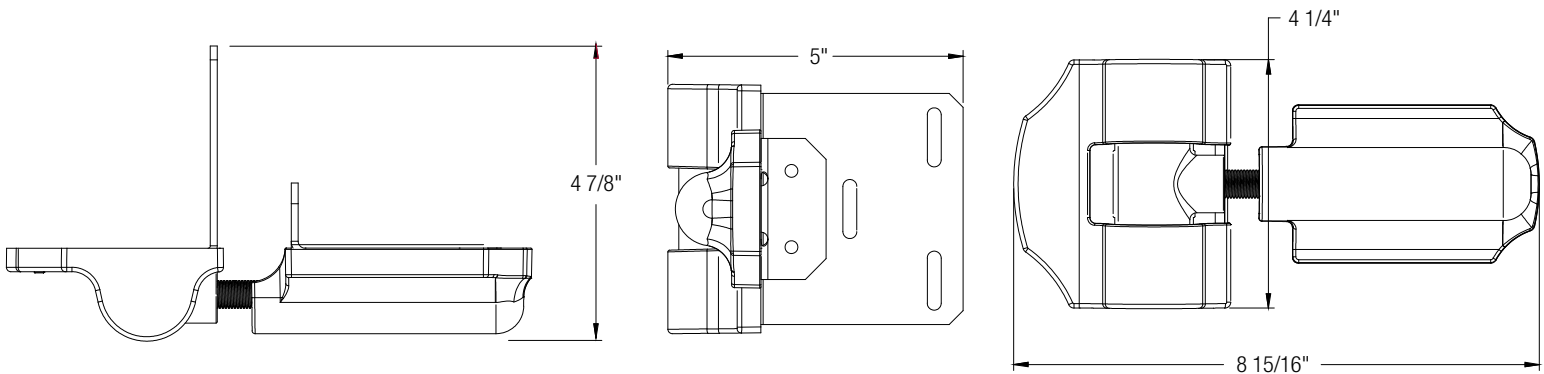
Description	Color	Made of	Works With	Gate Weight	Gate Width	Gate Gap	Post Size	Upright Size	SKU
Heavy-Duty Contemporary Wrap Hinge Pair	Black	Steel	Vinyl Wood Gates	Up to 150 lbs.	Up to 96" Width	½" – 1¼"	4" +	2" x 3½" +	73014300
Heavy-Duty Contemporary Wrap Hinge Pair	White	Steel							73025542
Heavy-Duty Contemporary Wrap Hinge Pair	Black	Stainless Steel							73014250
Heavy-Duty Contemporary Wrap Hinge Pair	White	Stainless Steel							73025521
Heavy-Duty Modern Wrap Hinge Pair	Black	Steel							73014301
Heavy-Duty Modern Wrap Hinge Pair	White	Steel							73025523
Heavy-Duty Modern Wrap Hinge Pair	Black	Stainless Steel							73014253
Heavy-Duty Modern Wrap Hinge Pair	White	Stainless Steel							73025522



Heavy-Duty Contemporary
Wrap Hinge Pair



Heavy-Duty Modern
Wrap Hinge Pair



TIP: Wrap Hinges come with unique hinge covers, available in two different styles and colors that conceal fasteners for a clean look and provide additional protection from the elements.

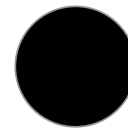
STANDARD WRAP HINGES

PRODUCT BENEFITS

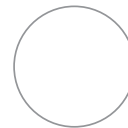
- 3-way adjustability: vertical, horizontal and tension adjustments
- Creates a gate that is self-closing and self-latching
- Pool Code Approved

KIT CONTENTS

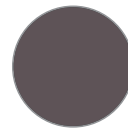
- (2) Standard Hinges
- (2) Hinge Covers
- (1) Allen Wrench
- (10) 1¼" Pan Head Square/Phillips Combo Screws
- (8) 1¼" Flat Head Square/Phillips Combo Screws



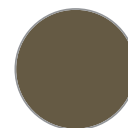
Black



White



Bronze



Light Bronze



Pewter

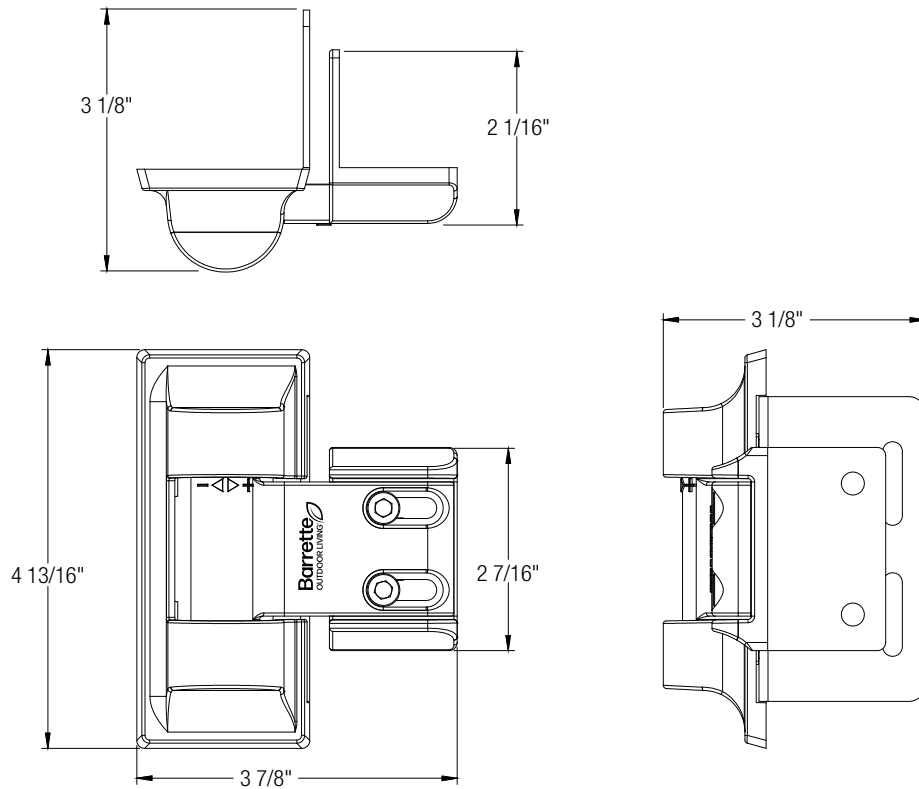


STANDARD WRAP HINGES

Description	Color	Made of	Works With	Gate Weight	Gate Width	Gate Gap	Post Size	Upright Size	SKU
Standard Wrap Hinge Pair	Black	Steel	Vinyl wood gates, metal gates	Up to 75 lbs.	Up to 72" Width	1/2" - 7/8"	2" +	1 1/2" +	73028117
Standard Wrap Hinge Pair	Black	Stainless Steel							73014252
Standard Wrap Hinge Pair	White	Steel							73025512
Standard Wrap Hinge Pair	Bronze	Steel							73025513
Standard Wrap Hinge Pair	Light Bronze	Steel							73025514
Standard Wrap Hinge Pair	Pewter	Steel							73025515



Standard Wrap Hinge Pair



TIP: Standard Wrap Hinges come with unique hinge covers to conceal hardware and provide additional protection from the elements. Product is available in five different colors with color matched covers to offer a seamless appearance.

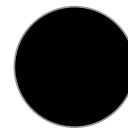
HEAVY-DUTY BUTTERFLY HINGES

PRODUCT BENEFITS

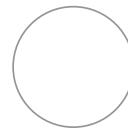
- Features customizable resistance to control speed of gate closure
- Creates a gate that is self-closing and self-latching
- Pool Code Approved

KIT CONTENTS

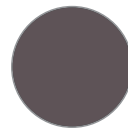
- (2) Butterfly Hinges
- (1) Allen Wrench
- (16) 1" Square/Phillips Combo Screws



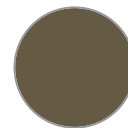
Black



White



Bronze



Light Bronze



Pewter



Gray

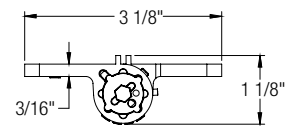
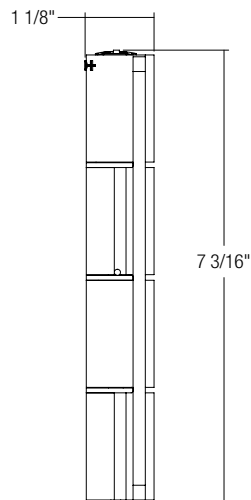
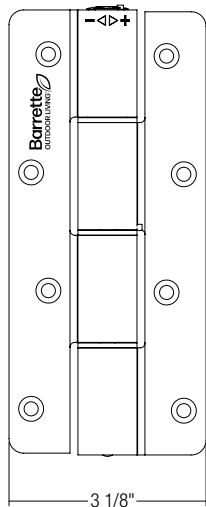
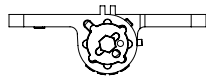


HEAVY-DUTY BUTTERFLY HINGES

Description	Color	Made of	Works With	Gate Weight	Gate Width	Gate Gap	Post Size	Upright Size	SKU
Heavy-Duty Butterfly Hinge Pair	Black	Aluminum	Vinyl wood, metal gates	Up to 100 lbs.	Up to 96" Width	1/2"	1 1/2" +	1 1/2" +	73025668
Heavy-Duty Butterfly Hinge Pair	Pewter								73025669
Heavy-Duty Butterfly Hinge Pair	White								73025670
Heavy-Duty Butterfly Hinge Pair	Matte Black								73025674
Heavy-Duty Butterfly Hinge Pair	Bronze								73024456
Heavy-Duty Butterfly Hinge Pair	Light Bronze								73024457
Heavy-Duty Butterfly Hinge Pair	Gray								73024460
Heavy-Duty Butterfly Hinge Pair	Matte Bronze								73043747



Heavy-Duty Butterfly Hinge Pair



TIP: Heavy-Duty Butterfly Hinges feature Tension Control Technology adjustability making it quick and easy to customize the gate swing speed. Product is available in eight color options to accommodate all aluminum fencing needs.

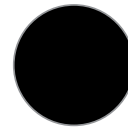
STANDARD BUTTERFLY HINGES

PRODUCT BENEFITS

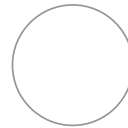
- Features customizable resistance to control speed of gate closure
- Creates a gate that is self-closing and self-latching
- Pool Code Approved

KIT CONTENTS

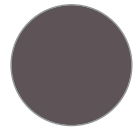
- (2) Butterfly Hinges
- (1) Allen Wrench
- (16) 1" Square/Phillips Combo Screws



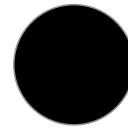
Black



White



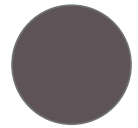
Bronze



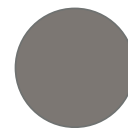
Matte Black



Light Bronze



Matte Bronze



Pewter



Gray

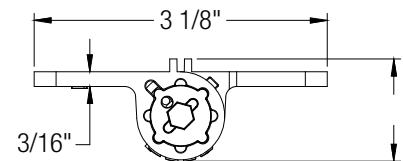
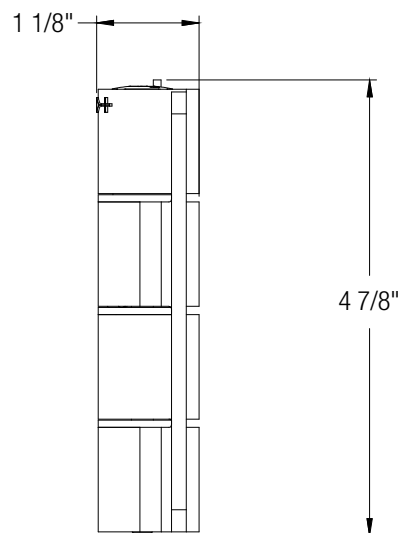
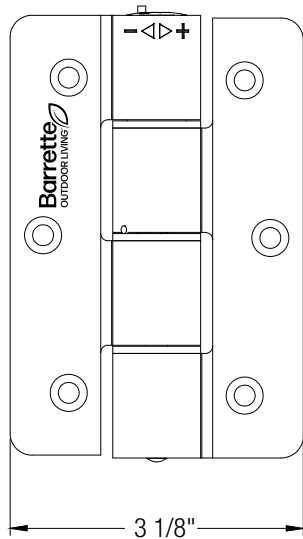


STANDARD BUTTERFLY HINGES

Description	Color	Made of	Works With	Gate Weight	Gate Width	Gate Gap	Post Size	Upright Size	SKU
Standard Butterfly Hinge Pair	Black	Aluminum	Vinyl wood, metal gates	Up to 75 lbs.	Up to 60" Width	1/2"	1 1/2" +	1 1/2" +	73025681
Standard Butterfly Hinge Pair	Pewter								73025671
Standard Butterfly Hinge Pair	White								73025673
Standard Butterfly Hinge Pair	Matte Black								73025675
Standard Butterfly Hinge Pair	Bronze								73025663
Standard Butterfly Hinge Pair	Light Bronze								73024462
Standard Butterfly Hinge Pair	Gray								73024465
Standard Butterfly Hinge Pair	Matte Bronze								73043985



Standard Butterfly Hinge Pair



TIP: Standard Butterfly Hinges feature Tension Control Technology adjustability making it quick and easy to customize the gate swing speed. Product is available in eight color options to accommodate all aluminum fencing needs.

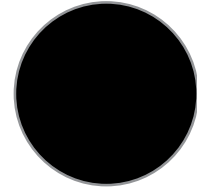
STANDARD DECORATIVE BUTTERFLY HINGES

PRODUCT BENEFITS

- Specifically designed for wood
- Mounts either inside or outside of fence posts
- Powder coated steel provides strength and durability

KIT CONTENTS

- (2) Butterfly Hinges
- (12) $\frac{5}{16}$ " Lag Screws



Black

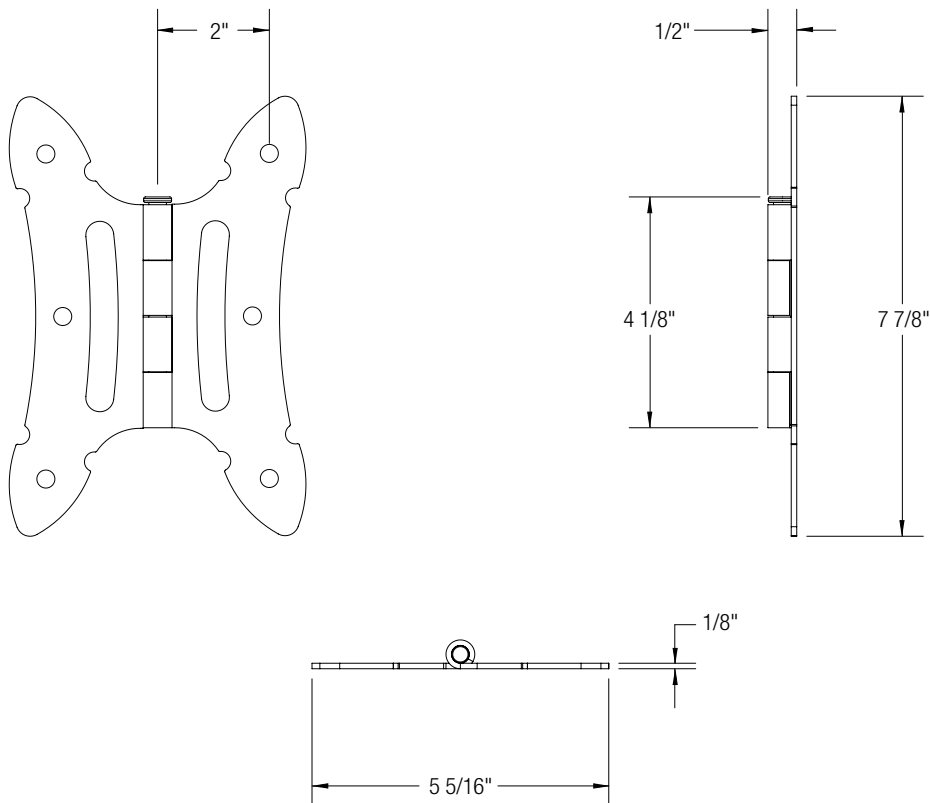


STANDARD DECORATIVE BUTTERFLY HINGES

Description	Color	Made of	Works With	Gate Weight	Gate Width	Gate Gap	Post Size	Upright Size	SKU
Standard Decorative Butterfly Hinge Pair	Black	Steel	Wood gates	Up to 60 lbs.	Up to 72" Width	0 - 1½"	4" +	3½" +	73014546



Standard Decorative Butterfly Hinge Pair



TIP: Want to make your Standard Decorative Butterfly Hinge is self-closing? Use in conjunction with our Self-Closing Gate Device found on page 78.

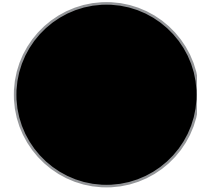
COMPACT BUTTERFLY HINGES

PRODUCT BENEFITS

- Features customizable resistance to control speed of gate closure
- Creates a gate that is self-closing and self-latching
- Pool Code Approved

KIT CONTENTS

- (2) Butterfly Hinges
- (1) Allen Wrench
- (8) 1" Square/Phillips Combo Screws
- (2) Butterfly Hinges
- (1) Allen Wrench
- (12) 1" Square/Phillips Combo Screws



Black



COMPACT BUTTERFLY HINGES

Description	Color	Made of	Works With	Gate Weight	Gate Width	Gate Gap	Post Size	Upright Size	SKU
Compact Butterfly Hinge Pair	Black	Aluminum	Vinyl, wood, metal gates	Up to 35 lbs.	Up to 60" width/ 48" height	1/2"	1 1/2" +	1 1/2" +	73025667
Compact Butterfly Hinge Pair	Black	Aluminum						1" +	73024441
Compact Butterfly Hinge Pair	Black	Polymer						1" +	73024445



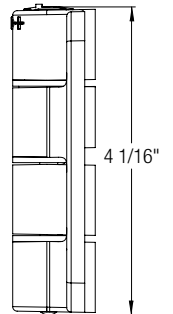
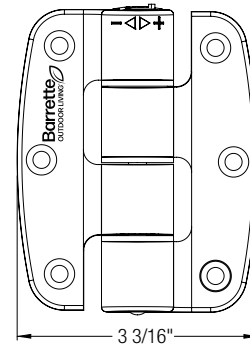
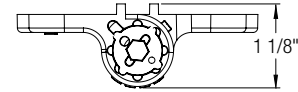
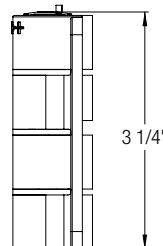
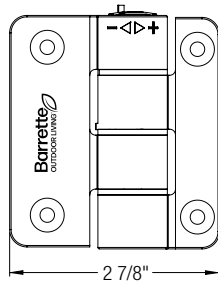
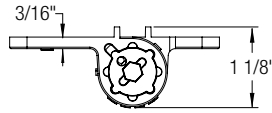
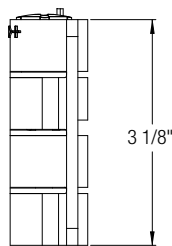
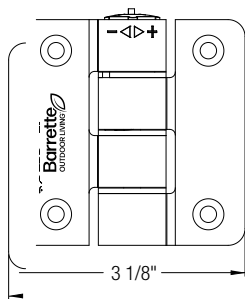
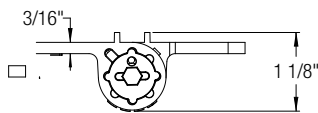
Compact Butterfly Hinge Pair
Aluminum



Compact Butterfly Hinge Pair
Aluminum



Compact Butterfly Hinge Pair
Polymer



TIP: Compact Butterfly Hinges are designed for smaller gates. We provide two different aluminum hinges designed for small gate uprights. We also offer a polymer option if that material is preferred.

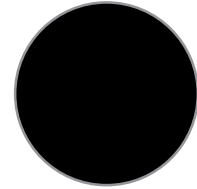
FLUSH MOUNT HINGES

PRODUCT BENEFITS

- Features customizable resistance to control speed of gate closure
- Allows for a unique and easy wall or flush mount installation
- Gate is self-closing
- Pool Code Approved

KIT CONTENTS

- (2) Flush Mount Hinges
- (1) Allen Wrench
- (16) 1" Square/Phillips Combo Screws



Black

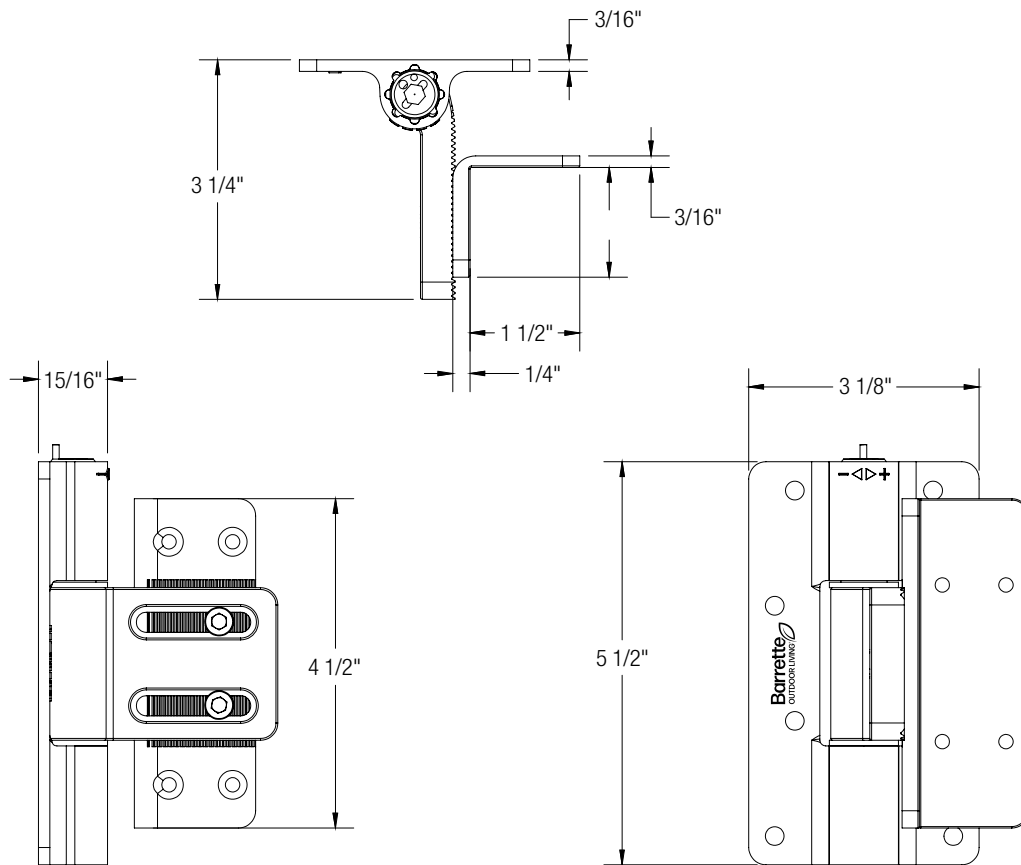


FLUSH MOUNT HINGES

Description	Color	Made of	Works With	Gate Weight	Gate Width	Gate Gap	Post Size	Upright Size	SKU
Flush Mount Hinge	Black	Aluminum	Vinyl, metal gates	Up to 75 lbs.	Up to 60"	3/8" - 1 1/2"	3/4" +	1 1/2" +	73044983



Flush Mount Hinge



TIP: Flush Mount Hinges work perfectly with small aluminum gates when installing in-between columns or on the side of a structure. These hinges have over 1" of adjustability horizontally, making installation and adjustment easy.

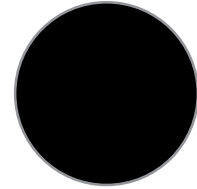
HEAVY-DUTY ORNAMENTAL T-HINGES

PRODUCT BENEFITS

- Features self-closing and manual-closing functionality with simple tension adjustments
- Designed for use with narrow mounting surfaces
- Pool Code Approved

KIT CONTENTS

- (2) 8" Heavy-Duty T-Hinges
- (10) 5/16" Lag Screws
- (2) Tension Pins
- (1) Adjustment Rod



Black

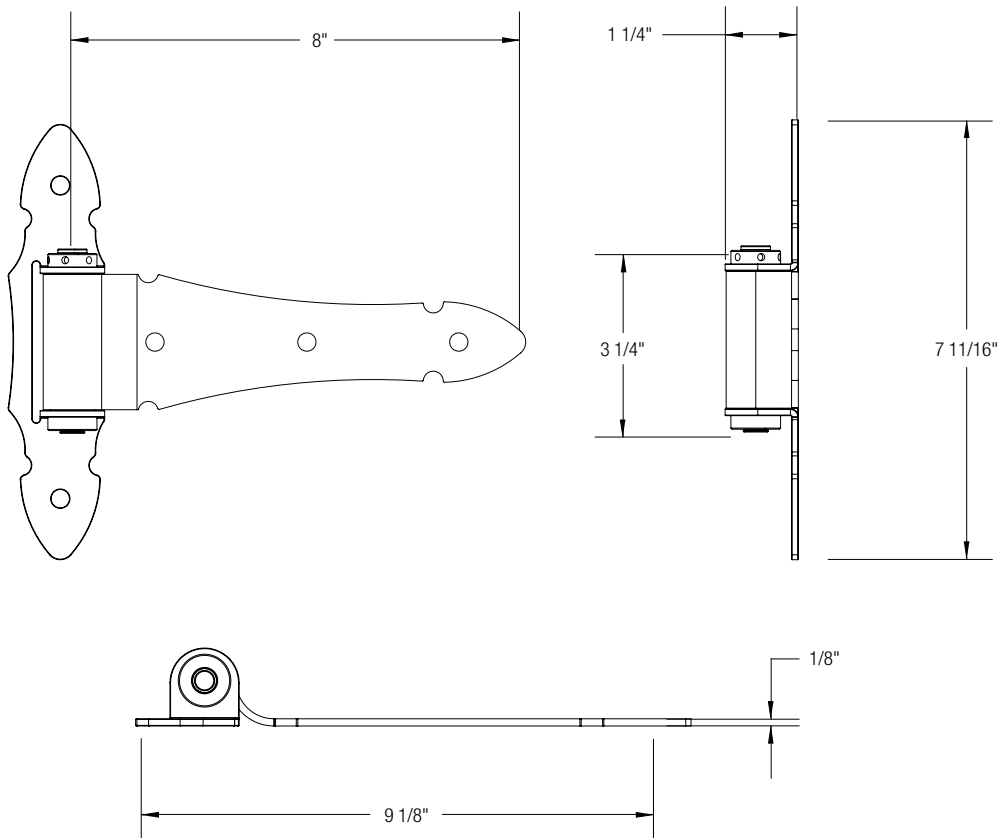


HEAVY-DUTY ORNAMENTAL T-HINGES

Description	Color	Made of	Works With	Gate Weight	Gate Width	Gate Gap	Post Size	Upright Size	SKU
8" Heavy-Duty Ornamental T-Hinge Pair	Black	Steel	Wood gates	Up to 75 lbs.	Up to 72"	0" - 1/2"	4" +	2 1/2" + Rail	73014325



8" Heavy-Duty Ornamental T-Hinge Pair



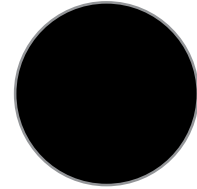
STANDARD ORNAMENTAL T-HINGES

PRODUCT BENEFITS

- Easy to install in either left or right hand applications
- Designed for use with narrow surfaces

KIT CONTENTS

- (2) 8" Standard T-Hinges
- (10) 5/16" Lag Screws



Black

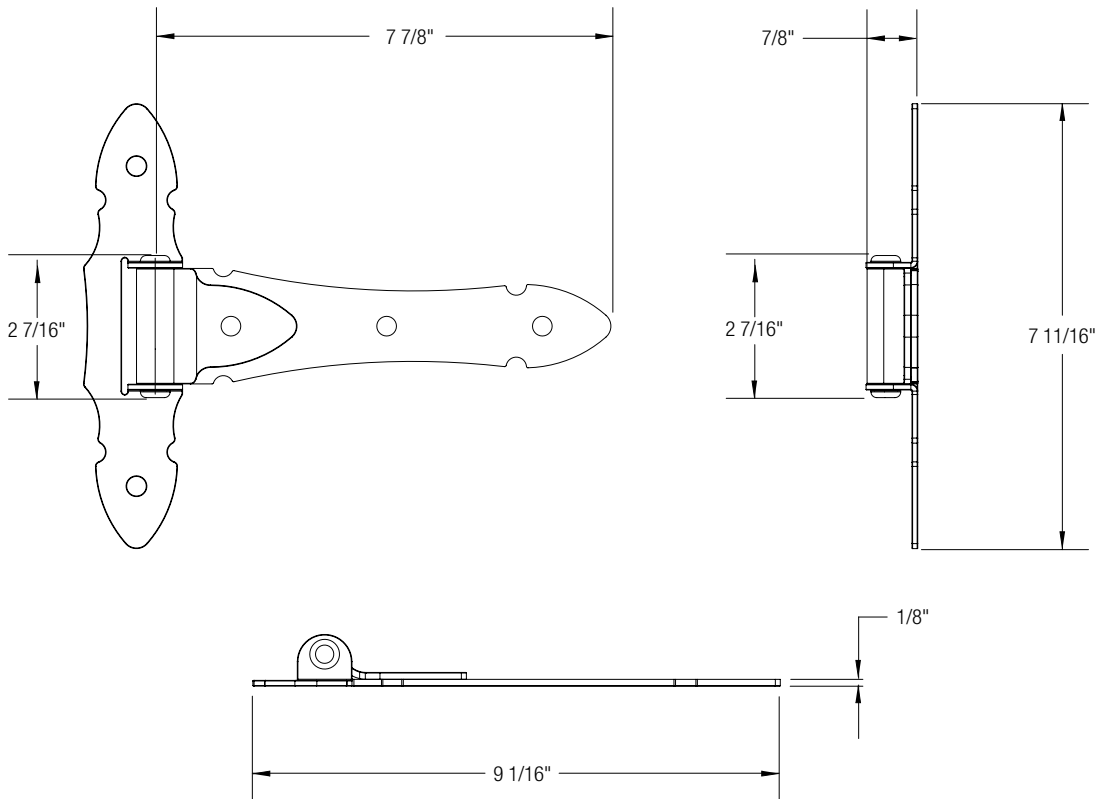


STANDARD ORNAMENTAL T-HINGES

Description	Color	Made of	Works With	Gate Weight	Gate Width	Gate Gap	Post Size	Upright Size	SKU
8" Standard Ornamental T-Hinge Pair	Black	Steel	Wood gates	Up to 60 lbs.	Up to 72"	0" - 1/2"	4" +	2 1/2" + Rail	73014299



8" Standard Ornamental T-Hinge Pair



TIP: Want to make your Standard T-Hinge self-closing? Use in conjunction with our Self-Closing Gate Device found on page 78.

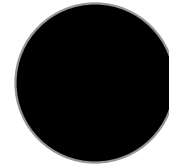
HEAVY-DUTY STRAP HINGES

PRODUCT BENEFITS

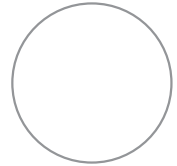
- Easy to mount inside or outside of fence posts
- Ideal for use with drive gates
- Features horizontal adjustments

KIT CONTENTS

- (1) Heavy-Duty Strap Hinge
- (1) Back Plate
- (12) 1½" Stainless Steel Lag Screws
- (3) 110 mm Hex Bolts
- (3) 60 mm Hex Bolts
- (3) Thin Hex Nuts
- (3) Nylon Washers
- (3) Acorn Nuts



Black



White

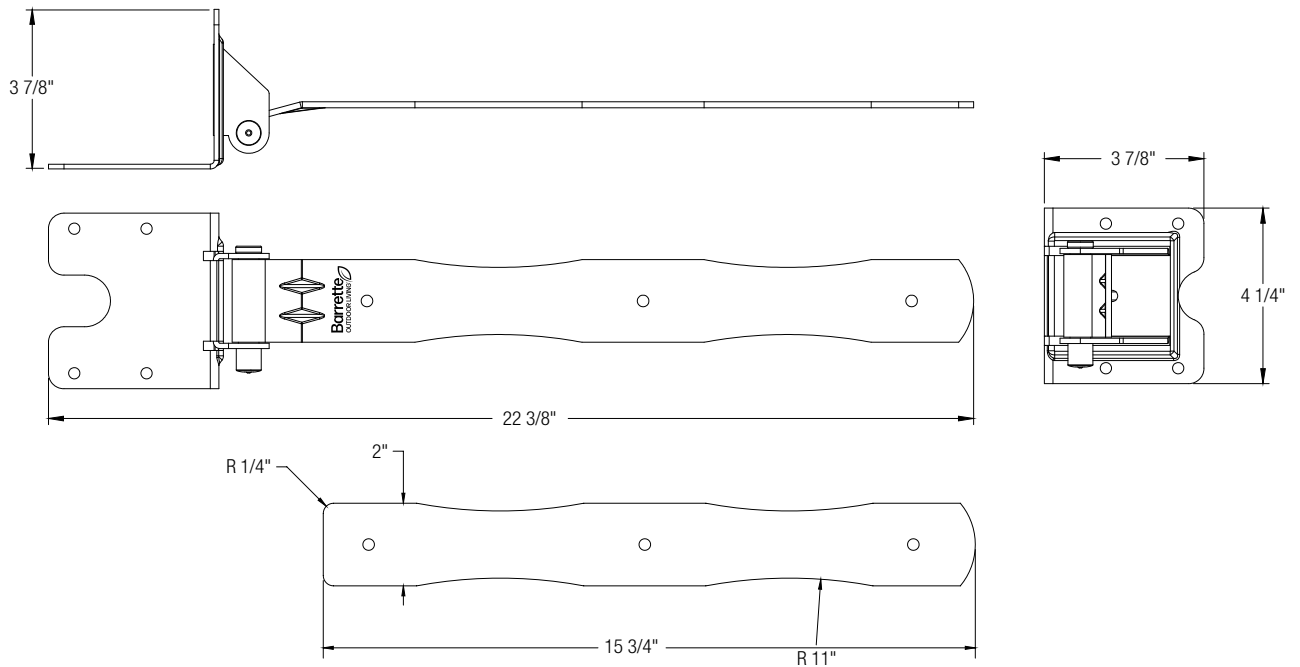


HEAVY-DUTY STRAP HINGES

Description	Color	Made of	Works With	Gate Weight	Gate Width	Gate Gap	Post Size	Upright Size	SKU
Heavy-Duty Strap Hinge	Black	Aluminum	Vinyl, wood gates	Up to 75 lbs.	Up to 72"	1"	4" +	2" + Rail	73014322
Heavy-Duty Strap Hinge	White								73014323



Heavy-Duty Strap Hinge



TIP: Strap Hinges combine perfectly with bracketed, pre-built panels. The size and shape of the gate uprights allow for a smooth, seamless installation.

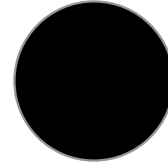
STANDARD STRAP HINGES

PRODUCT BENEFITS

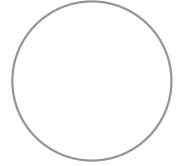
- Easy to mount inside or outside of fence posts
- Ideal for use with drive gates
- Features horizontal adjustments

KIT CONTENTS

- (1) Standard Strap Hinge
- (1) Back Plate
- (9) 1 ¼" #2 Square/Phillips Combo Screws
- (3) 1 ½" Stainless Steel Lag Screws
- (3) 60 mm Hex Bolts
- (3) Thin Hex Nuts
- (3) Nylon Washers
- (3) Acorn Nuts



Black



White

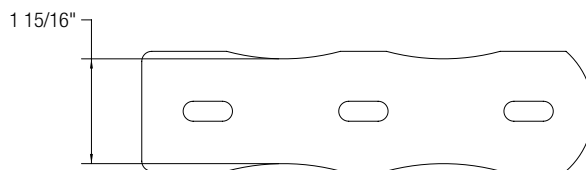
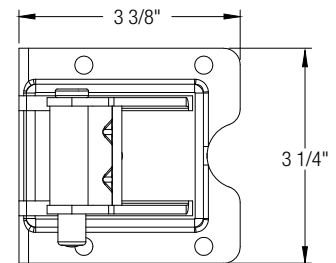
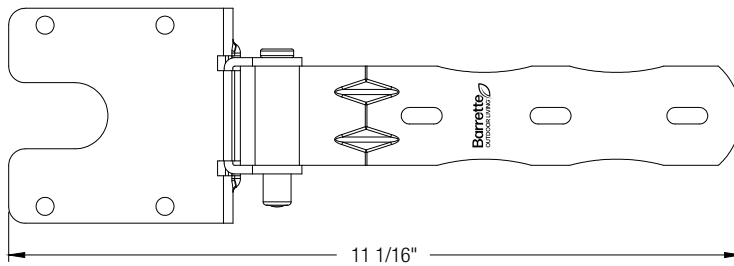
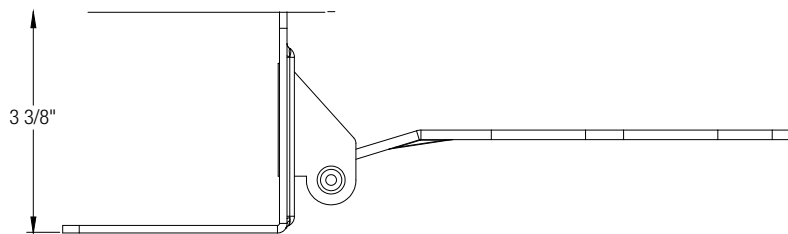


STANDARD STRAP HINGES

Description	Color	Made of	Works With	Gate Weight	Gate Width	Gate Gap	Post Size	Upright Size	SKU
Standard Strap Hinge	Black	Aluminum	Vinyl, wood gates	Up to 35 lbs.	Up to 60"	1"	4" +	1½" + Rail	73023172
Standard Strap Hinge	White								73002181



Standard Strap Hinge



TIP: Strap Hinges combine perfectly with bracketed, pre-built panels. The size and shape of the gate uprights allow for a smooth, seamless installation.

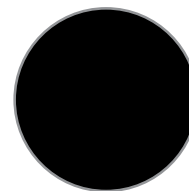
HEAVY-DUTY DOUBLE STRAP HINGE

PRODUCT BENEFITS

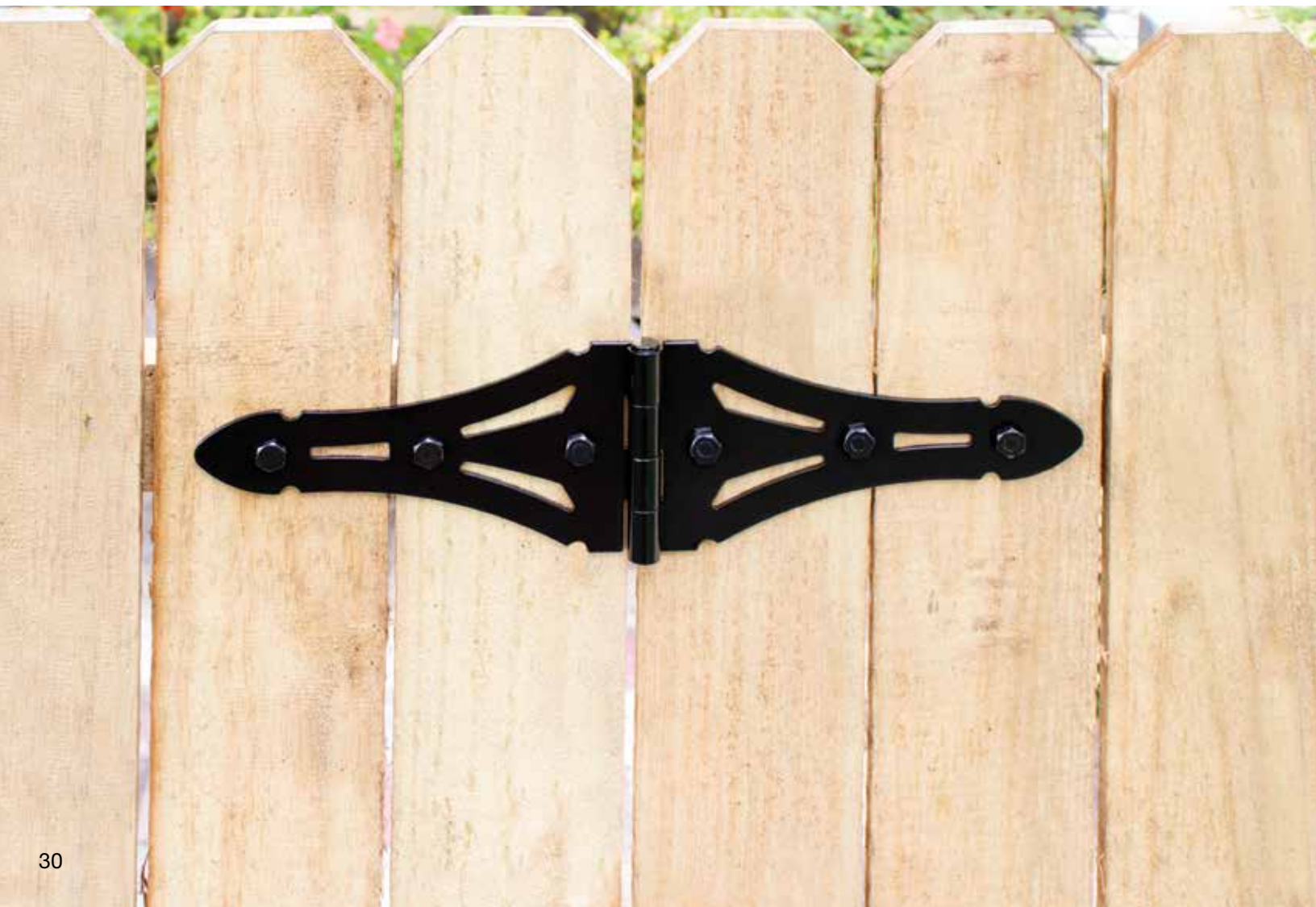
- Easy to mount inside or outside of fence posts
- Powder coated steel hinges designed for use with wood gates

KIT CONTENTS

- (2) Heavy-Duty Double Strap Hinges
- (12) 5/16" Lag Screws



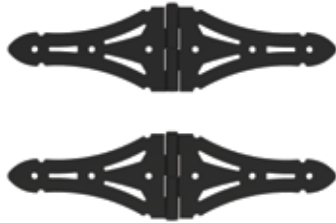
Black



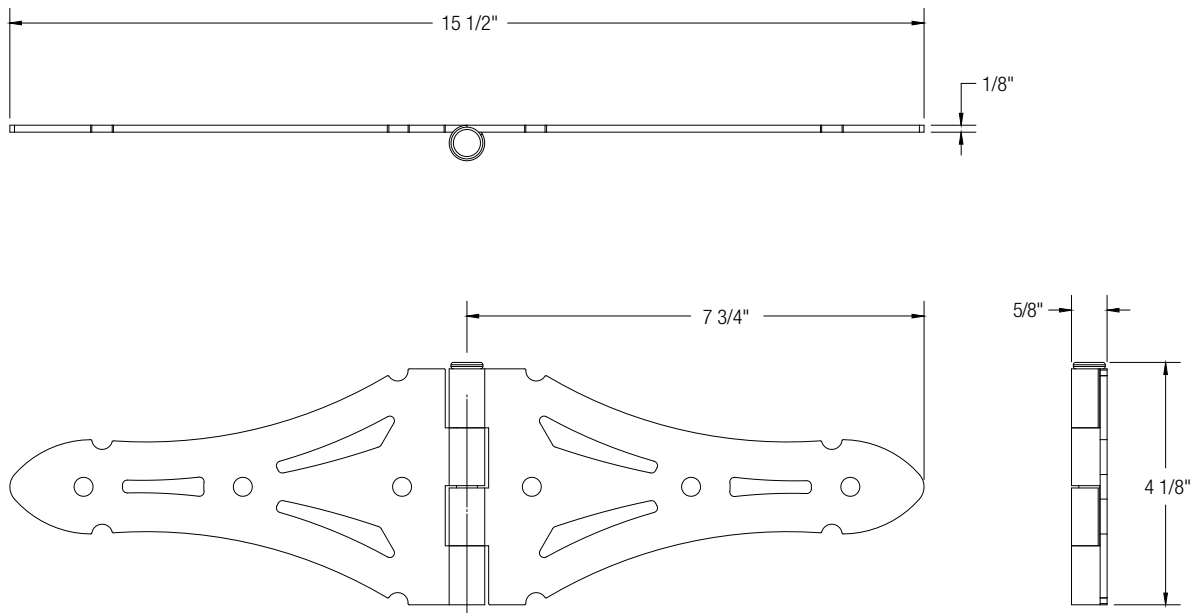
HEAVY-DUTY DOUBLE STRAP HINGE

Description	Color	Made of	Works With	Gate Weight	Gate Width	Gate Gap	Post Size	Upright Size	SKU
Heavy-Duty 8" Double Strap Hinge*	Black	Steel	Wood gates	Up to 75 lbs.	Up to 72"	0" - 1/2"	4" +	2 1/2" + Rail	73043959

*Heavy-Duty 8" Double Strap Hinge is also available as part of the Wood Gate Kit 73044834



Heavy-Duty 8" Double Strap Hinge*



TIP: Strap Hinges combine perfectly with bracketed, pre-built panels. The size and shape of the gate uprights allow for a smooth, seamless installation

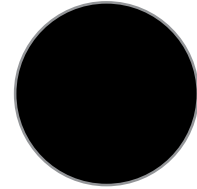
STANDARD HALF & DOUBLE STRAP HINGES

PRODUCT BENEFITS

- Easy to mount inside or outside of fence posts
- Powder coated steel hinges designed for use with wood gates

KIT CONTENTS

- (2) Half Strap Hinges
- (10) 5/16" Lag Screws



Black

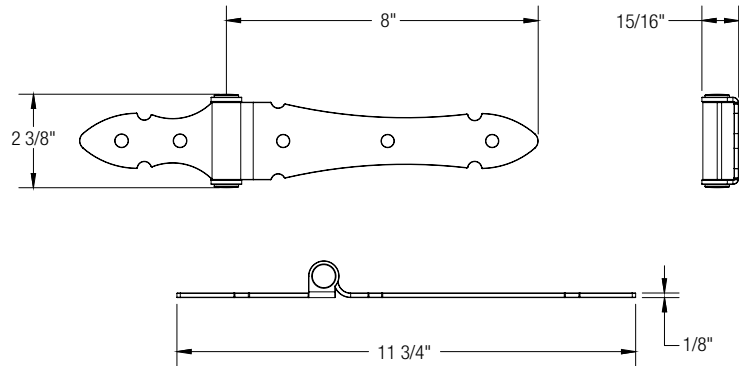


STANDARD HALF STRAP HINGES

Description	Color	Made of	Works With	Gate Weight	Gate Width	Gate Gap	Post Size	Upright Size	SKU
8" Standard Half Strap Hinge Pair	Black	Steel	Wood gates	Up to 60 lbs.	Up to 72"	0" - 1/2"	4" +	2 1/2" + Rail	73014298



Standard 8" Half Strap Hinge*

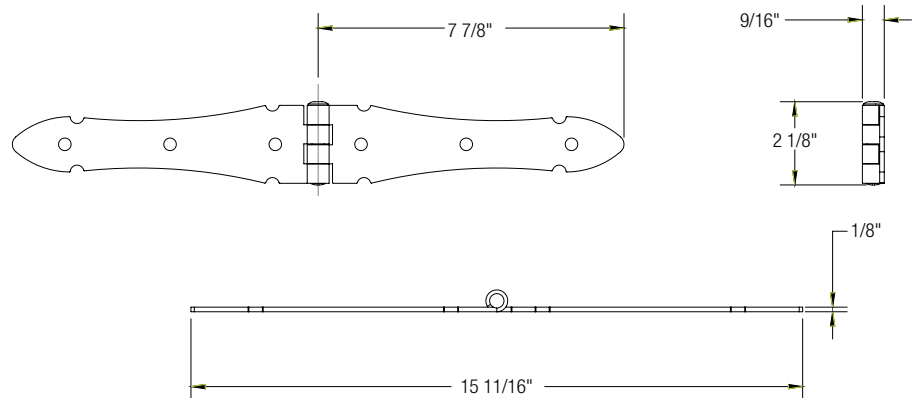


STANDARD DOUBLE STRAP HINGES

Description	Color	Made of	Works With	Gate Weight	Gate Width	Gate Gap	Post Size	Upright Size	SKU
8" Standard Double Strap Hinge Pair	Black	Steel	Wood gates	Up to 60 lbs.	Up to 72"	0" - 1/2"	4" +	2 1/2" + Rail	73014545



Standard 8" Double Strap Hinge*



TIP: Want to make your Standard Half or Double Strap Hinges self-closing? Use in conjunction with our Self-Closing Gate Device found on page 78.

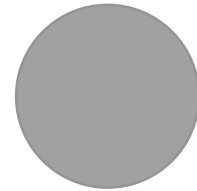
HEAVY-DUTY CHAIN LINK / FARM HINGES

PRODUCT BENEFITS

- Made of steel with a superior coating to withstand extreme weather conditions
- Can be mounted to wood, steel or concrete posts
- Features horizontal and vertical adjustments

KIT CONTENTS

- (2) Heavy-Duty Double Strap Hinges
- (12) 5/16" Lag Screws
- (4) 2½" U-clamps
- (8) 5/16" hex nuts
- (8) 5/16" washers



Steel

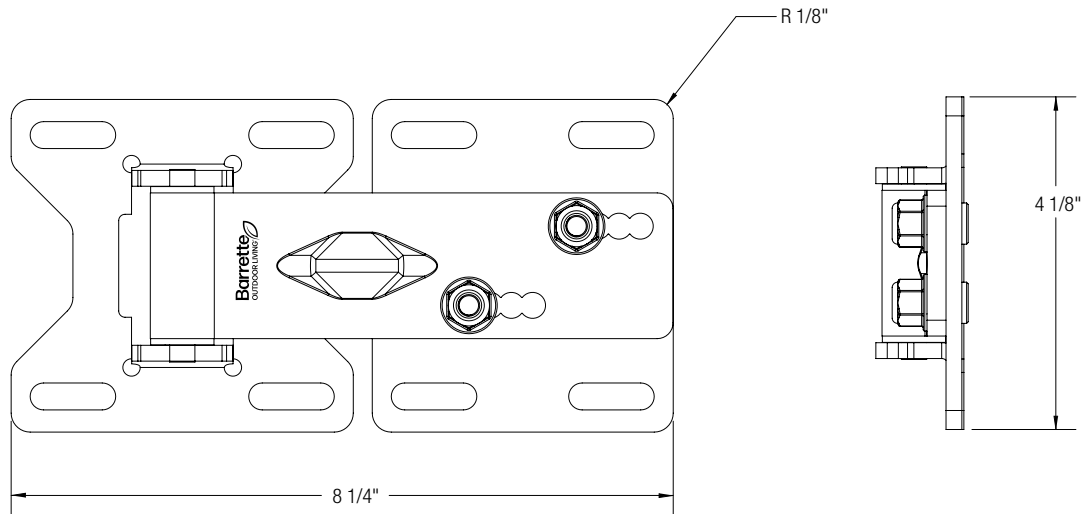
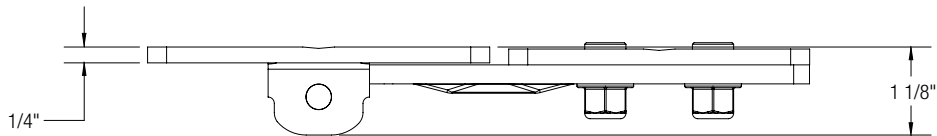


HEAVY-DUTY CHAIN LINK / FARM HINGES

Description	Color	Made of	Works With	Gate Weight	Gate Width	Gate Gap	Post Size	Upright Size	SKU
Heavy-Duty Chain Link/Farm Hinge Pair	Steel	Steel	Chain link, farm gates	Up to 250 lbs.	Up to 168"	2½" - 3½"	4½" +	2½"	73014313



Heavy-Duty Chain Link/Farm Hinge Pair



TIP: The Heavy-Duty Chain Link/Farm Hinge can accommodate upright sizes up to 2½" when larger U-Clamps are purchased separately.

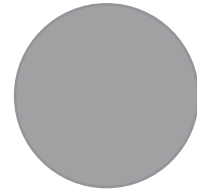
STANDARD CHAIN LINK / FARM HINGES

PRODUCT BENEFITS

- Made of steel with a superior coating to withstand extreme weather conditions
- Can be mounted to wood, steel or concrete posts
- Features horizontal and vertical adjustments

KIT CONTENTS

- (2) Standard Chain Link Hinge
- (4) 13/8" U-Clamps
- (4) 2 1/2" U-Clamps
- (16) 5/16" Hex Nuts
- (16) 5/16" Washers
- (1) M6/M5 "Z" Allen Wrench



Steel

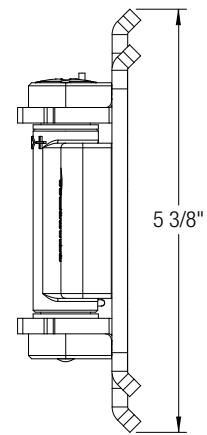
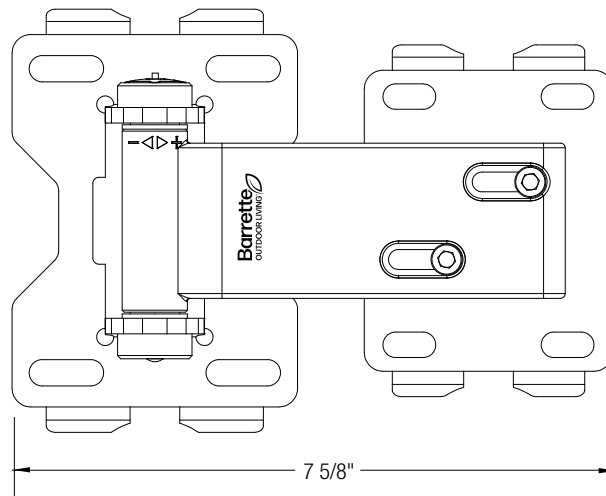
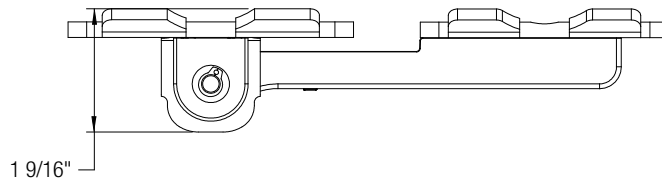


STANDARD CHAIN LINK / FARM HINGES

Description	Color	Made of	Works With	Gate Weight	Gate Width	Gate Gap	Post Size	Upright Size	SKU
Standard Chain Link/Farm Hinge Pair	Steel	Steel/ Aluminum	Chain link, farm gates	Up to 50 lbs.	Up to 60"	1½" - 1¾"	2½" +	1⅜"	73014314



Standard Chain Link/Farm Hinge Pair



TIP: The Standard Chain Link/Farm Hinge can accommodate smaller post sizes and larger upright sizes when additional U-Clamps are purchased separately.

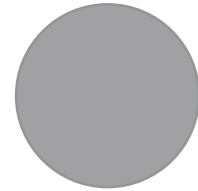
STANDARD SCREW HOOK & EYE HINGES

PRODUCT BENEFITS

- Made of galvanized coated steel for increased strength and weather protection
- Easy to install — ideal for wood gates

KIT CONTENTS

- (2) Hook/Eye Hinges



Steel

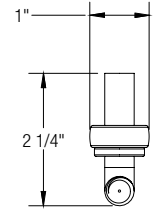
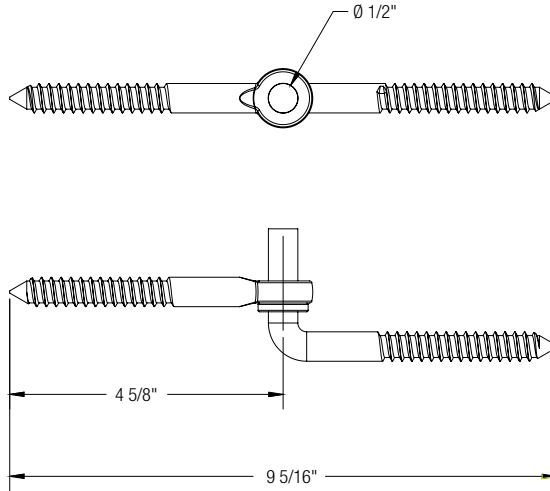


STANDARD SCREW HOOK & EYE HINGE

Description	Color	Made of	Works With	Gate Weight	Gate Width	Gate Gap	Post Size	Upright Size	SKU
1/2" X 4" Screw Hook & Eye Hinge	Steel	Steel	Wood gates	Up to 100 lbs.	Up to 72"	3"	3"	3"	73014547



1/2" X 4" Screw Hook & Eye Hinge

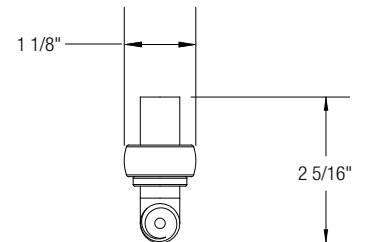
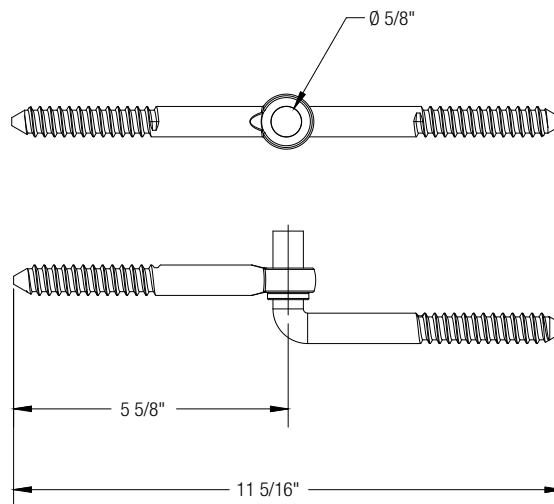


STANDARD SCREW HOOK & EYE HINGE

Description	Color	Made of	Works With	Gate Weight	Gate Width	Gate Gap	Post Size	Upright Size	SKU
5/8" X 5" Screw Hook & Eye Hinge	Steel	Steel	Wood gates	Up to 150 lbs.	Up to 72"	3"	3"	3"	73014644



5/8" X 5" Screw Hook & Eye Hinge



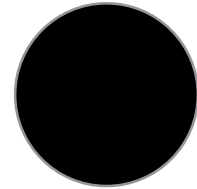
LOCKING POOL SAFETY LATCHES

PRODUCT FEATURES

- Designed to work with most gates
- Features a superior magnet that offers a secure closure
- Helps ensure child and pet safety
- Creates a gate that is self-closing and self-latching
- Key-lockable

KIT CONTENTS

- (1) Latch Assembly
- (2) Mounting Bracket A
- (1) Striker Assembly
- (13) #10 x 1 Square/Phillips Screws
- (1) Square Drive Bit
- (2) Keys
- (1) Mounting Bracket B

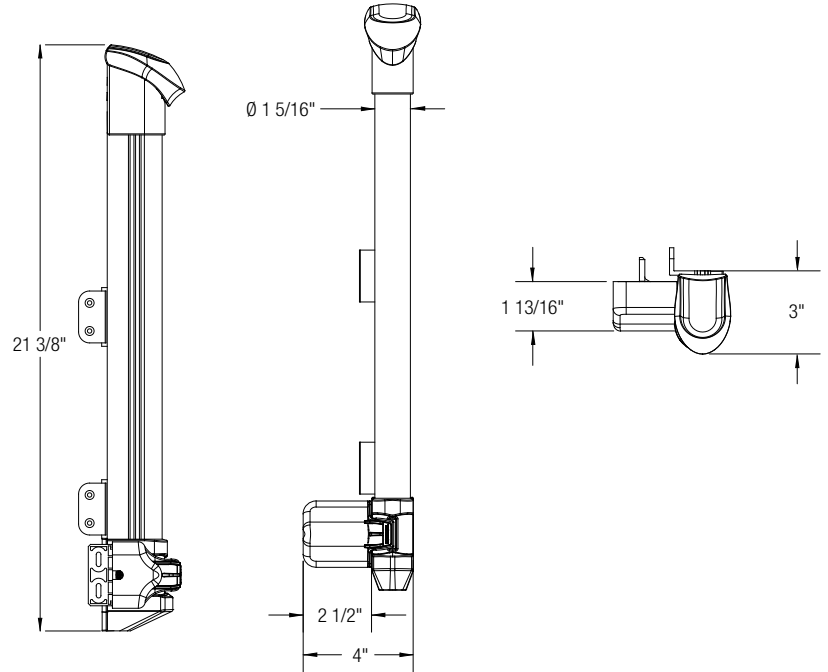


Black



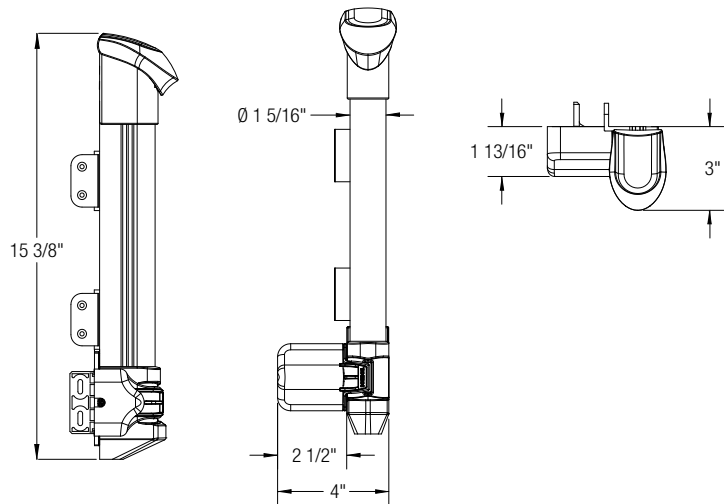
LOCKING POOL SAFETY LATCH

Description	Color	Made of	Works With	Post Size	Upright Size	Latch Clearance	SKU
Locking Pool Safety Latch	Black	Nylon & Stainless Steel	Vinyl, wood, metal gates	1½" +	1½" +	3/8" - 1¼"	73050191



COMPACT LOCKING POOL SAFETY LATCH

Description	Color	Made of	Works With	Post Size	Upright Size	Latch Clearance	SKU
Compact Locking Pool Safety Latch	Black	Nylon & Stainless Steel	Vinyl, wood, metal gates	1½" +	1½" +	3/8" - 1¼"	73050192



TIP: The Compact Locking Pool Safety Latch is designed for use on taller fences.

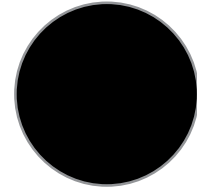
POOL LATCH ROUND POST ADAPTER

PRODUCT FEATURES

- Adapter fits with Pool Latch to wrap around any round post
- Self-latching for secure closure
- Pool code approved

KIT CONTENTS

- Striker Mounting Base to 1 $\frac{5}{8}$ " Gate Frame
- 1 $\frac{3}{8}$ " Gate Frame Adapter
- (2) 2" Post Adapters
- (2) 2 $\frac{1}{2}$ " Post Adapters
- (2) Post Mounting Bases to 3" Post
- Post Mounting Base with Adjustment Screw
- (8) #10 x 1 $\frac{1}{4}$ " Phillips/Square Drive Screws
- (4) #10 x 1" Phillips/Square Drive Screws



Black

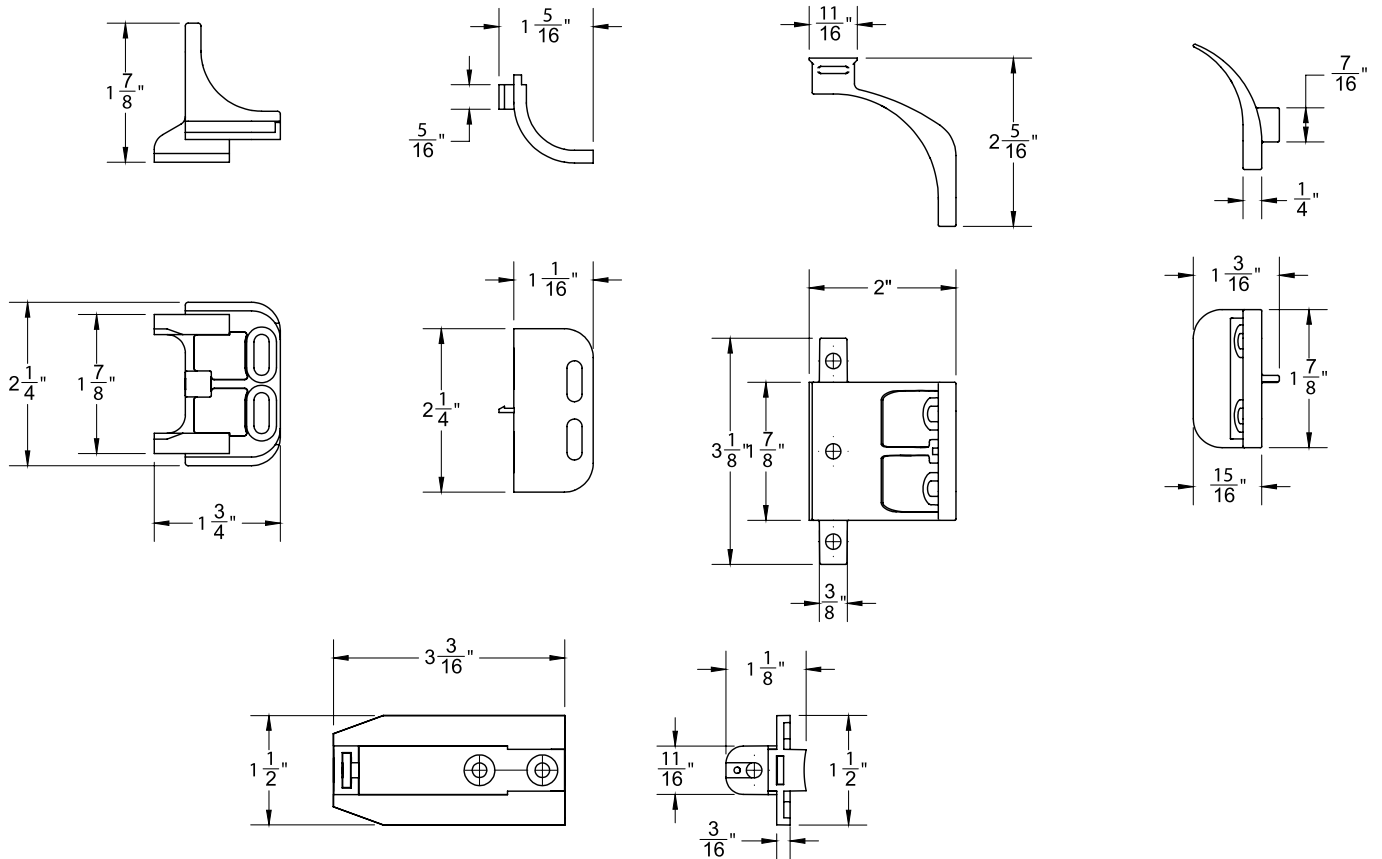


POOL LATCH ROUND POST ADAPTER

Description	Color	Made of	Works With	SKU
Round Post Adapter	Black	Nylon & Stainless Steel	Vinyl, Aluminum, Steel Fencing	73050193



Round Post Adapter Kit



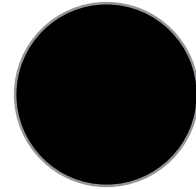
LOCKING HANDLE LATCH

PRODUCT FEATURES

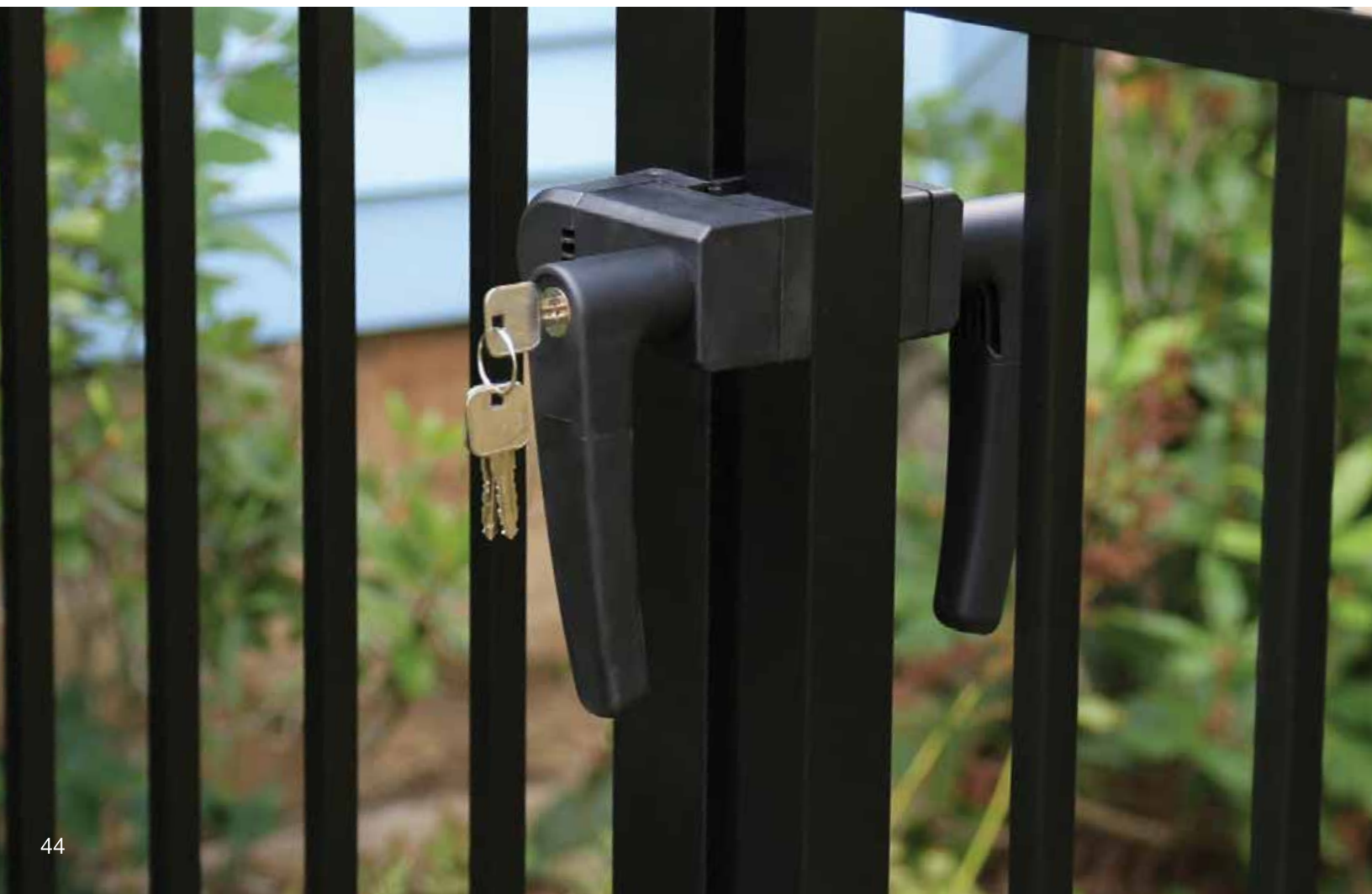
- Easy to install with self-latching operation for secure closure
- Creates a gate that is self-closing and self-latching
- Push button for easy entry

KIT CONTENTS

- (1) Front Handle
- (1) Rear Handle
- (1) Catch
- (1) Spacer
- (2) 25mm Round Head Machine Screws
- (3) 16mm Self-Drilling Screws
- (1) 28mm Pan Head Machine Screw
- (3) Keys
- (2) Alignment Templates



Black

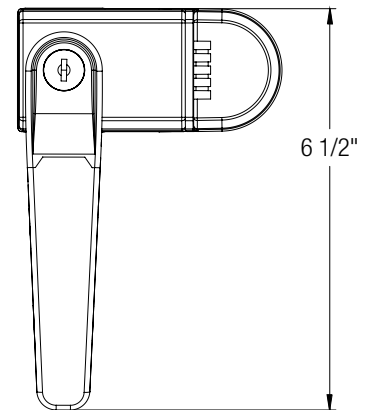
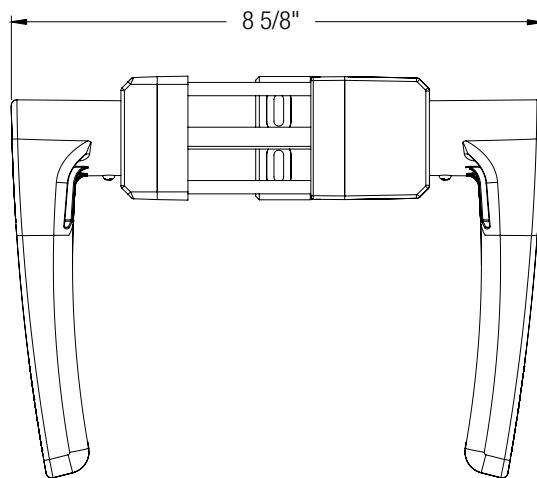
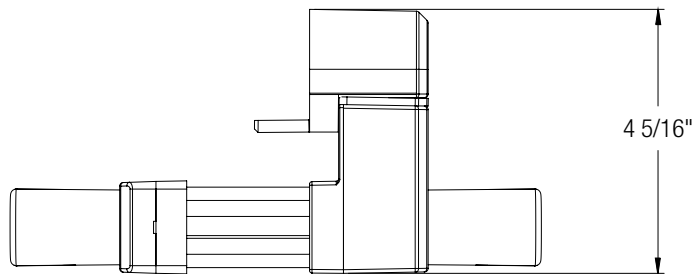


LOCKING HANDLE LATCH

Description	Color	Made of	Works With	Gate Gap	Post Size	Upright Size	SKU
Locking Handle Latch with Two-Sided Key Entry	Black	Nylon & Stainless Steel	Metal gates	3/4" - 1 1/4"	2" +	1 1/2" - 2"	73024433



Locking Handle Latch with Two-Sided Key Entry



TIP: Locking Handle Latches can be locked with a key and the handle position can be modified to fit personal preference.

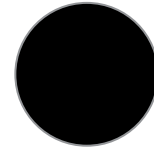
LOCKING GRAVITY LATCHES

PRODUCT BENEFITS

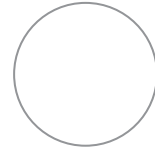
- Wide variety of options (including one- and two-sided key entry) available
- Creates a gate that is self-closing and self-latching
- Key-lockable

KIT CONTENTS

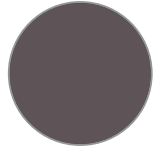
- Appropriate Latches
- Strikers
- 1" Square/Phillips Combo Screws
- Keys
- Push Button (*Two-Sided Latch only*)



Black



White



Bronze

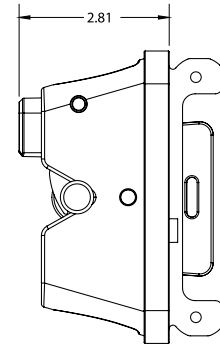
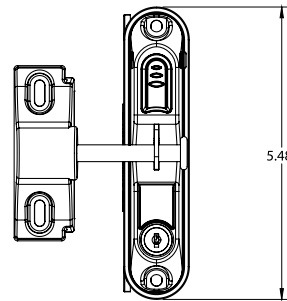
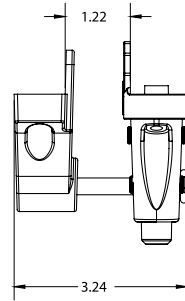


LOCKING GRAVITY LATCHES WITH ONE-SIDED KEY ENTRY

Description	Color	Made of	Works With	Gate Gap	Post Size	Upright Size	SKU
Locking Gravity Latch with One-Sided Key Entry	Black	Nylon & StainlessSteel	Vinyl, wood, metal gates	3/4" - 1 1/4"	1" +	1" +	73050184



Locking Gravity Latch with One-Sided Key Entry

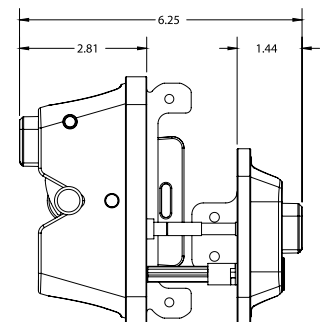
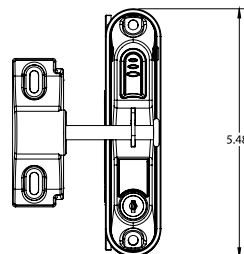
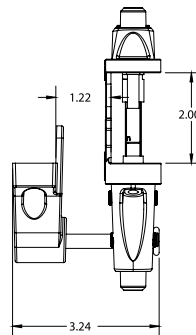


LOCKING GRAVITY LATCHES WITH TWO-SIDED KEY ENTRY

Description	Color	Made of	Works With	Gate Gap	Post Size	Upright Size	SKU
Locking Gravity Latch with Two-Sided Key Entry and Push Button	Black	Nylon & StainlessSteel	Vinyl, wood, metal gates	3/4" - 1 1/4"	1" - 6"	1" +	73050187
Locking Gravity Latch with Two-Sided Key Entry and Push Button	White						73050188
Locking Gravity Latch with Two-Sided Key Entry and Push Button	Bronze						73050189



Locking Gravity Latch with Two-Sided Key Entry and Push Button



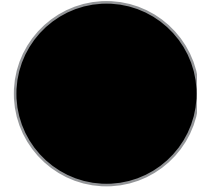
DECORATIVE GRAVITY LATCH

PRODUCT BENEFITS

- Easy to install with self-latching operation for secure closure
- Creates a gate that is self-closing and self-latching
- Push button for easy entry

KIT CONTENTS

- (1) Latch
- (1) Striker
- (5) 1" Square/Phillips Combo Screws



Black

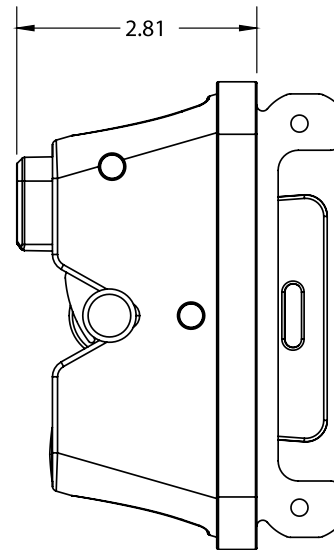
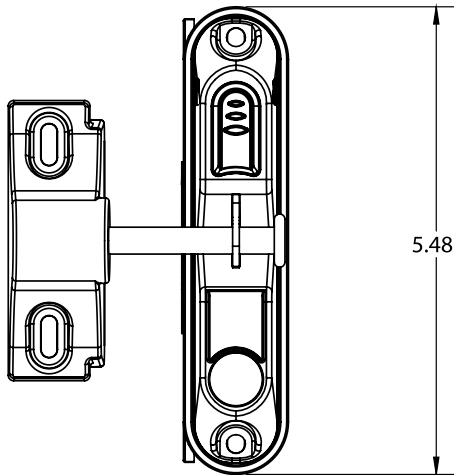
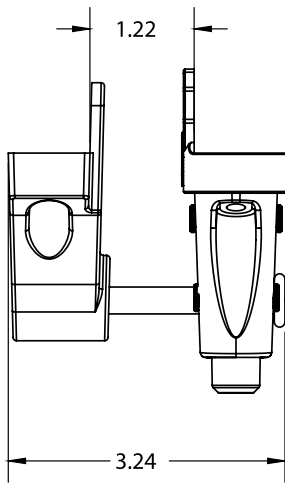


DECORATIVE GRAVITY LATCH

Description	Color	Made of	Works With	Gate Gap	Post Size	Upright Size	SKU
Decorative Gravity Latch	Black	Nylon & Stainless Steel	Vinyl, wood, metal gates	3/4" - 1 1/4"	1" +	1" +	73050190



Decorative Gravity Latch



GRAVITY LATCHES

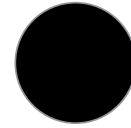
PRODUCT BENEFITS

- Designed to be self-latching and easy to install
- Uses a simple latch and striker system
- Accepts a padlock for added security

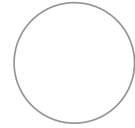
KIT CONTENTS

- (1) Latch & Striker
- 1" Square/Phillips Combo Screws*

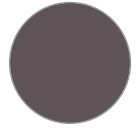
* (6) Screws included with Steel Gravity Latch,
(8) Screws included with Stainless Steel Gravity Latch



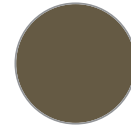
Black



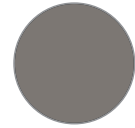
White



Bronze



Light Bronze



Pewter



Matte Bronze

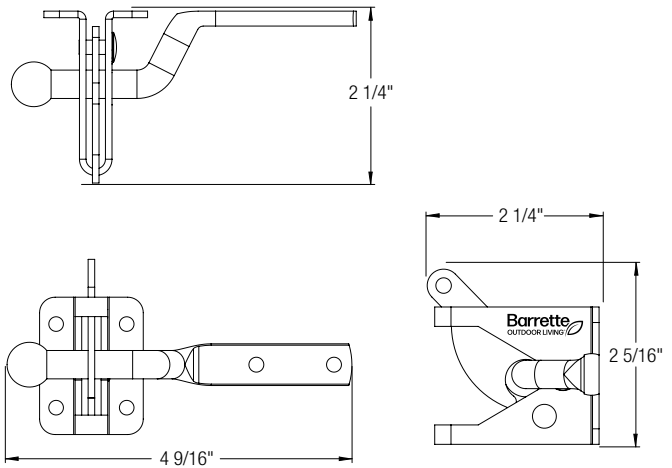


GRAVITY LATCHES

Description	Color	Made of	Works With	Gate Gap	Post Size	Upright Size	SKU
Gravity Latch	Black	Steel	Vinyl, wood, metal gates	3/4" - 1 1/4"	1 1/2" +	1 1/2" +	73002252
Gravity Latch	White						73025491
Gravity Latch	Bronze						73025492
Gravity Latch	Light Bronze						73025493
Gravity Latch	Pewter						73025494
Gravity Latch	Matte Black						73028060
Gravity Latch	Matte Bronze						73043993
Gravity Latch	Black	Stainless Steel					73014251



Gravity Latch

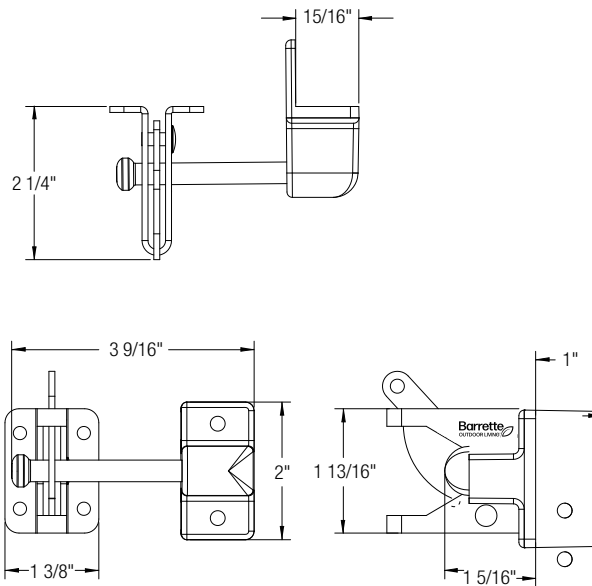


GRAVITY LATCH

Description	Color	Made of	Works With	Gate Gap	Post Size	Upright Size	SKU
Gravity Latch	Black	Steel	Vinyl, wood, metal gates	3/4" - 1 1/4"	2" +	1" +	73024440



Gravity Latch



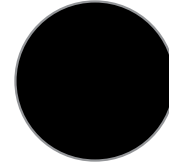
HEAVY-DUTY FLOATING BAR GRAVITY LATCH

PRODUCT BENEFITS

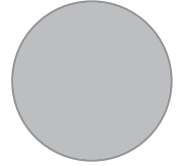
- Self-latching for a secure closure
- The floating design compensates for any gate sag
- Padlock can be used for added security

KIT CONTENTS

- (1) Latch
- (1) Striker Bracket
- (1) Striker
- (5) ¼" Lag Screws



Black



Zinc

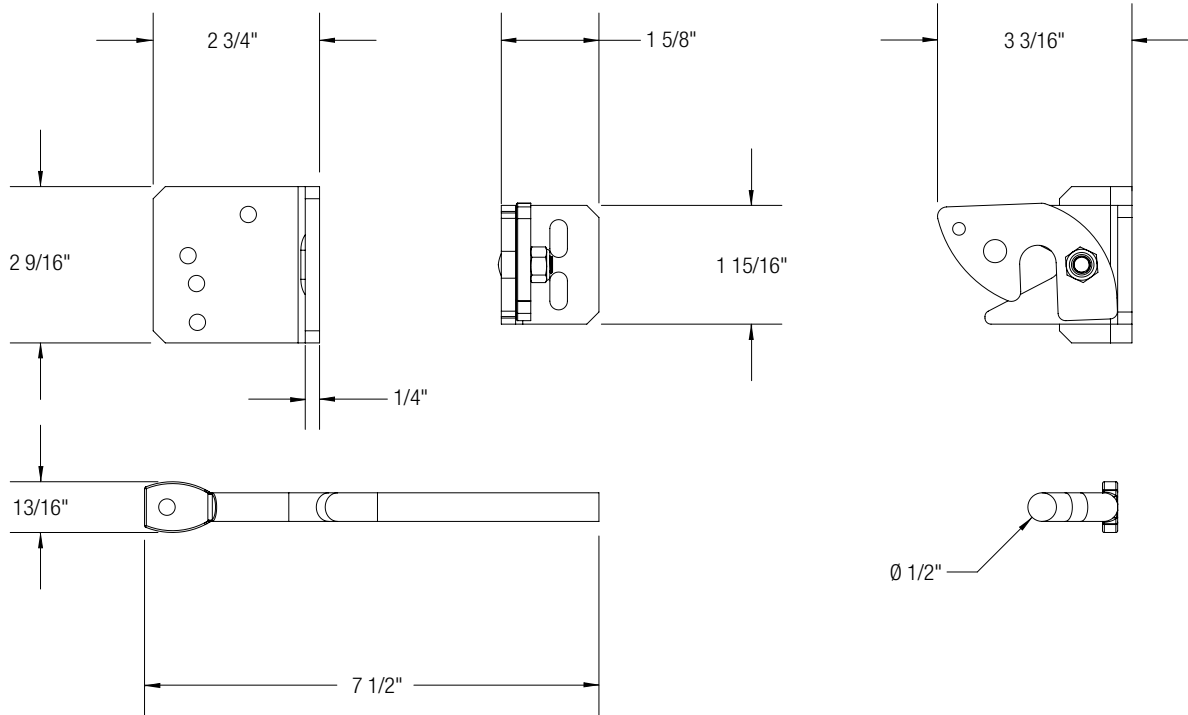


HEAVY-DUTY FLOATING BAR GRAVITY LATCH

Description	Color	Made of	Works With	Post Size	Upright Size	Latch Clearance	SKU
Heavy-Duty Floating Bar Gravity Latch	Black	Steel	Wood gates	2"	3" +	1½" - 4"	73014709
Heavy-Duty Floating Bar Gravity Latch	Zinc						73014703



Heavy-Duty Floating
Bar Gravity Latch



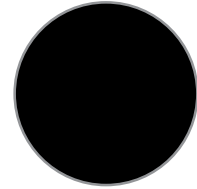
STANDARD FLOATING BAR GRAVITY LATCH

PRODUCT BENEFITS

- Self-latching for a secure closure
- Floating design allows for a wider latching range and compensates for gate sag
- Padlock can be used for added security

KIT CONTENTS

- (1) Latch
- (1) Striker Bracket
- (1) Striker
- (2) Flat Head Screws
- (6) Phillips Pan



Black

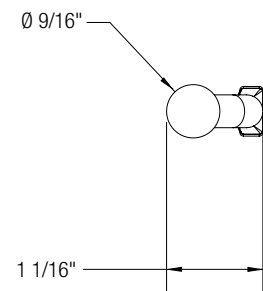
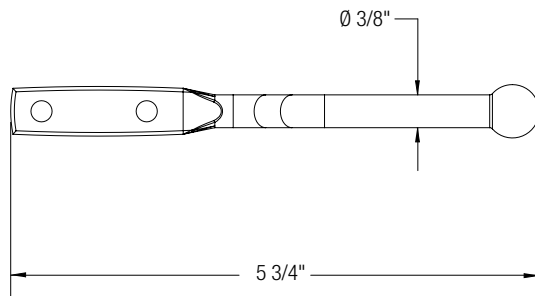
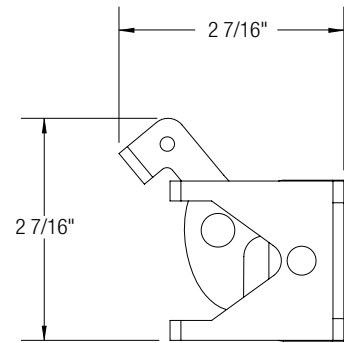
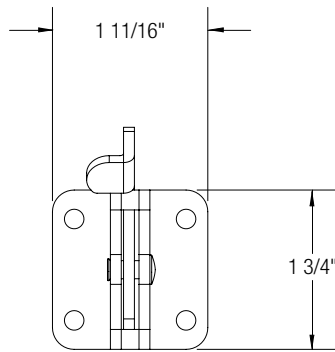
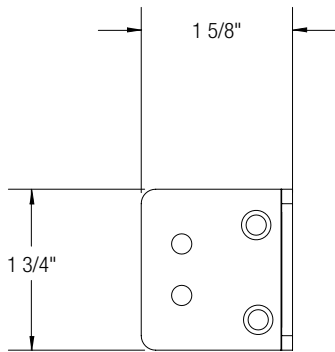


STANDARD FLOATING BAR GRAVITY LATCH

Description	Color	Made of	Works With	Post Size	Upright Size	Latch Clearance	SKU
Standard Floating Bar Gravity Latch	Black	Steel	Wood gates	2" +	2" +	1/2" - 2 1/2"	73014710



Standard Floating Bar Gravity Latch



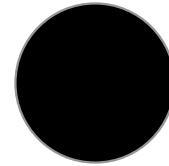
HEAVY-DUTY GATE LATCHES

PRODUCT BENEFITS

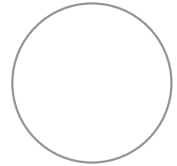
- Designed for placement on either side of gate
- Easy to install
- Features integrated handle
- Padlock can be used for added security

KIT CONTENTS

- (1) Heavy-Duty Latch
- (1) Striker
- (11) 1" Square/Phillips Combo Screws
- (1) Nylon Spacer



Black



White

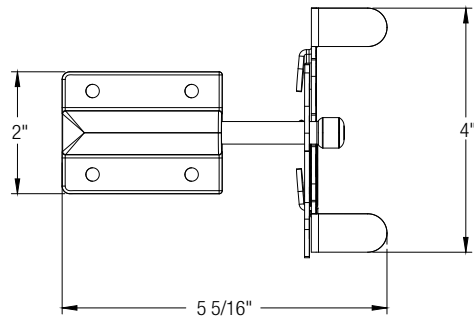
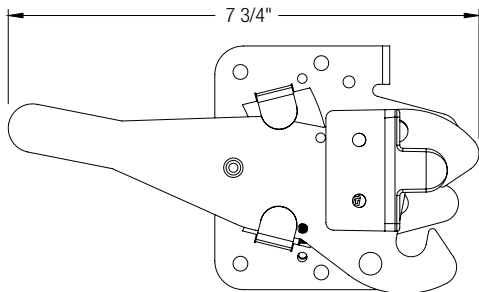
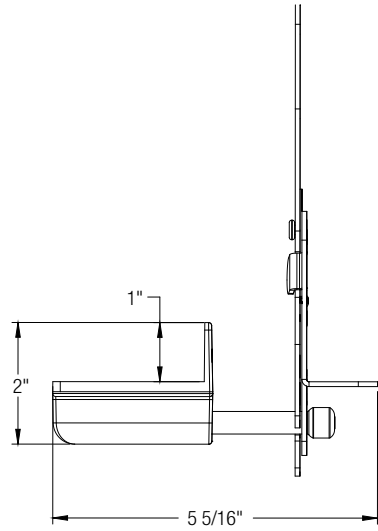


HEAVY-DUTY GATE LATCH

Description	Color	Made of	Works With	Gate Gap	Post Size	Upright Size	SKU
Heavy-Duty Gate Latch	Black	Steel	Vinyl, wood gates	3/4" - 1 1/4"	2 3/4" +	2 1/2" +	73002218
Heavy-Duty Gate Latch	White						73002219



Heavy-Duty Gate Latch



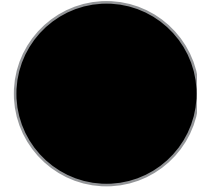
POST LATCHES

PRODUCT FEATURES

- Easy to install for placement on either side of gate
- Designed with a self-latching operation allowing for secure closure
- Padlock can be used for added security

KIT CONTENTS

- Appropriate Latches
- Strikers
- Lag Screws



Black

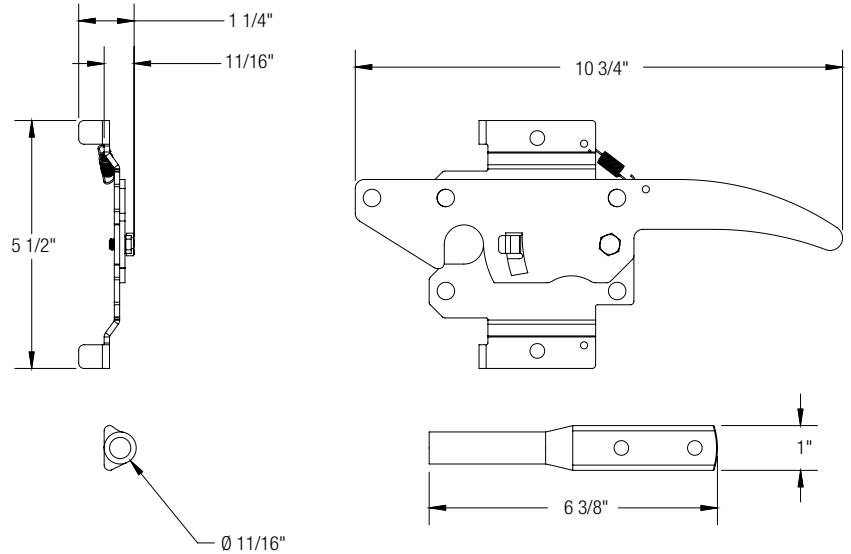


STANDARD POST LATCH

Description	Color	Made of	Works With	Post Size	Upright Size	Latch Clearance	SKU
Standard Post Latch	Black	Steel	Wood gates	4" +	3" +	1" - 3"	73014645
Standard Post Latch		Stainless Steel					73014912



Standard Post Latch

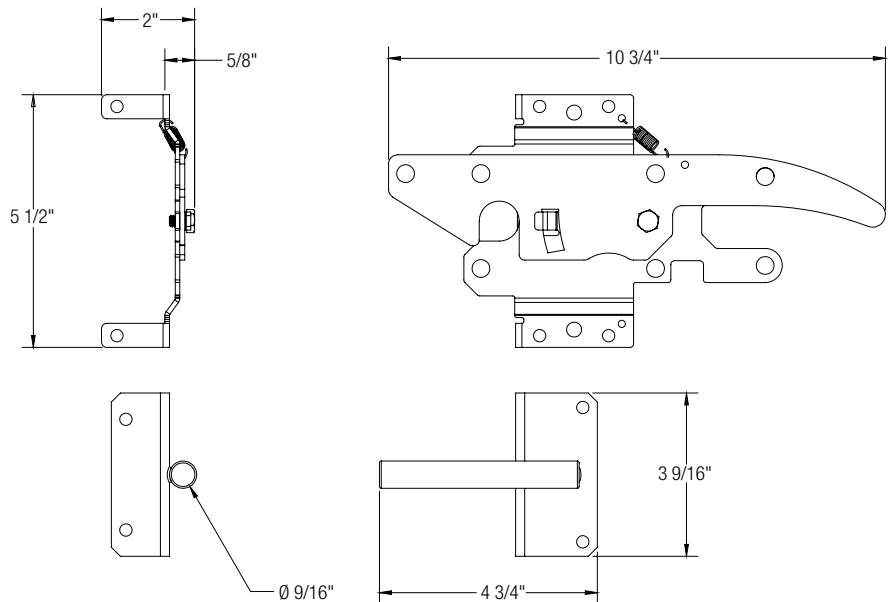


TWO-SIDED LOCKING POST LATCH

Description	Color	Made of	Works With	Post Size	Upright Size	Latch Clearance	SKU
Two-Sided Locking Post Latch	Black	Stainless Steel	Wood gates	4" +	2" +	1" - 3"	73041359



Two-Sided Locking Post Latch



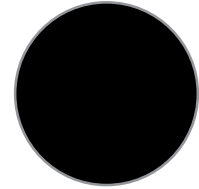
WOOD GATE KITS

PRODUCT FEATURES

- Total wood gate solution — includes post latch, handle and hinges
- Latch offers a slide locking feature or accept padlock for added security

KIT CONTENTS

- Appropriate Latches
- Strikers
- Handles
- Lag Screws
- Heavy-Duty Double Strap Hinge (*Wood Gate Kit Only*)

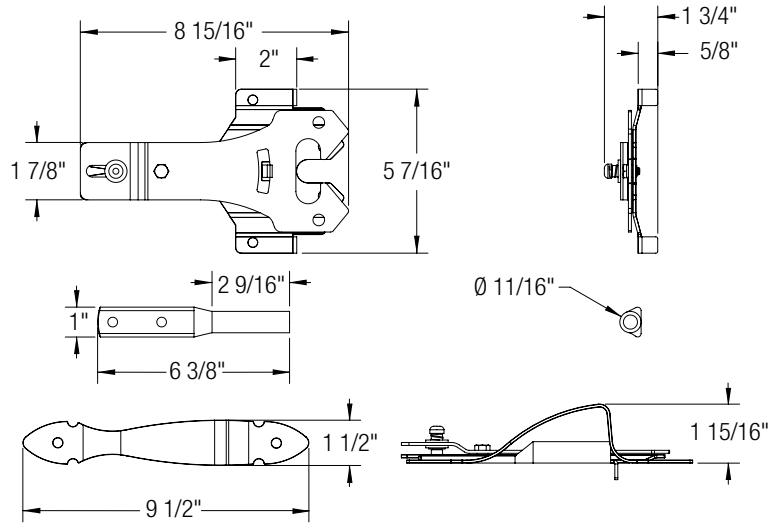


Black



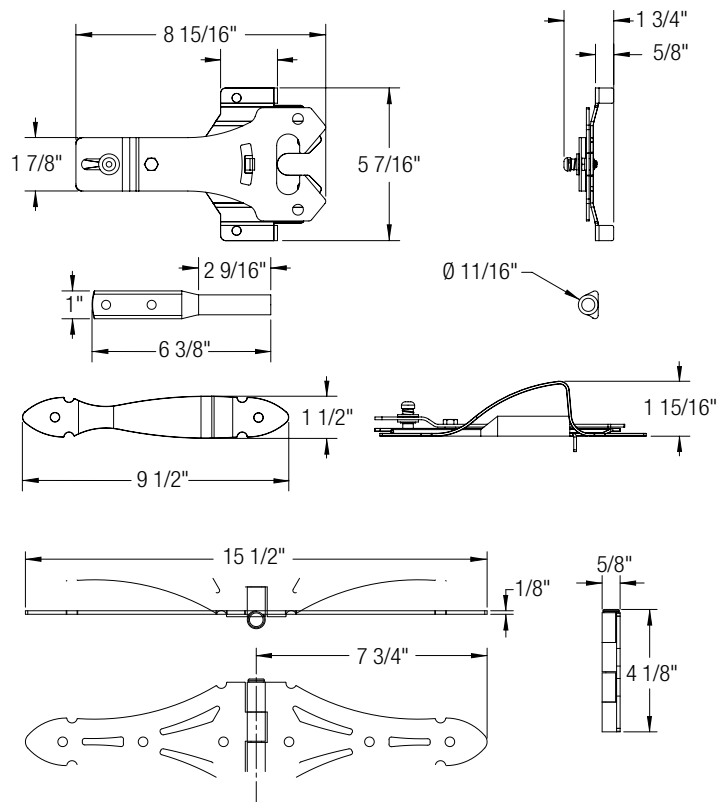
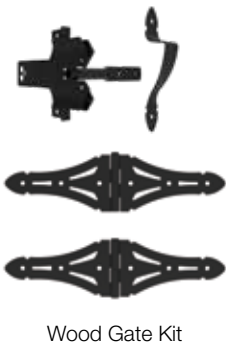
CONTEMPORARY POST LATCH WITH HANDLE

Description	Color	Made of	Works With	Post Size	Upright Size	Latch Clearance	SKU
Contemporary Post Latch With Handle	Black	Steel	Wood gates	4" +	3"	1" - 3"	73024950
Contemporary Post Latch With Handle		Stainless Steel					73014913



WOOD GATE KIT

Description	Color	Made of	Works With	Gate Gap	Gate Width	Post Size	Attaches to	Upright Size	Latch Clearance	SKU
Wood Gate Kit	Black	Steel	Wood gates	0 - 1/2"	Up to 72"	4" +	2 1/2" + Rail	3"	1" - 3"	73044834



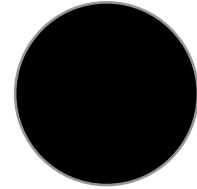
STANDARD DOUBLE BUTTERFLY LATCH

PRODUCT BENEFITS

- Versatile — fits round farm gate uprights from 1 $\frac{3}{8}$ " to 2 $\frac{1}{2}$ "
- Designed to withstand the elements — will not freeze or lock up

KIT CONTENTS

- (1) Butterfly Latch
- (1) 2 $\frac{1}{2}$ " U-Clamp
- (1) U-Clamp Spacer (2 $\frac{1}{2}$ " to 1 $\frac{5}{8}$ ")
- (2) $\frac{5}{16}$ " Washers
- (2) $\frac{5}{16}$ " Hex Nuts



Black

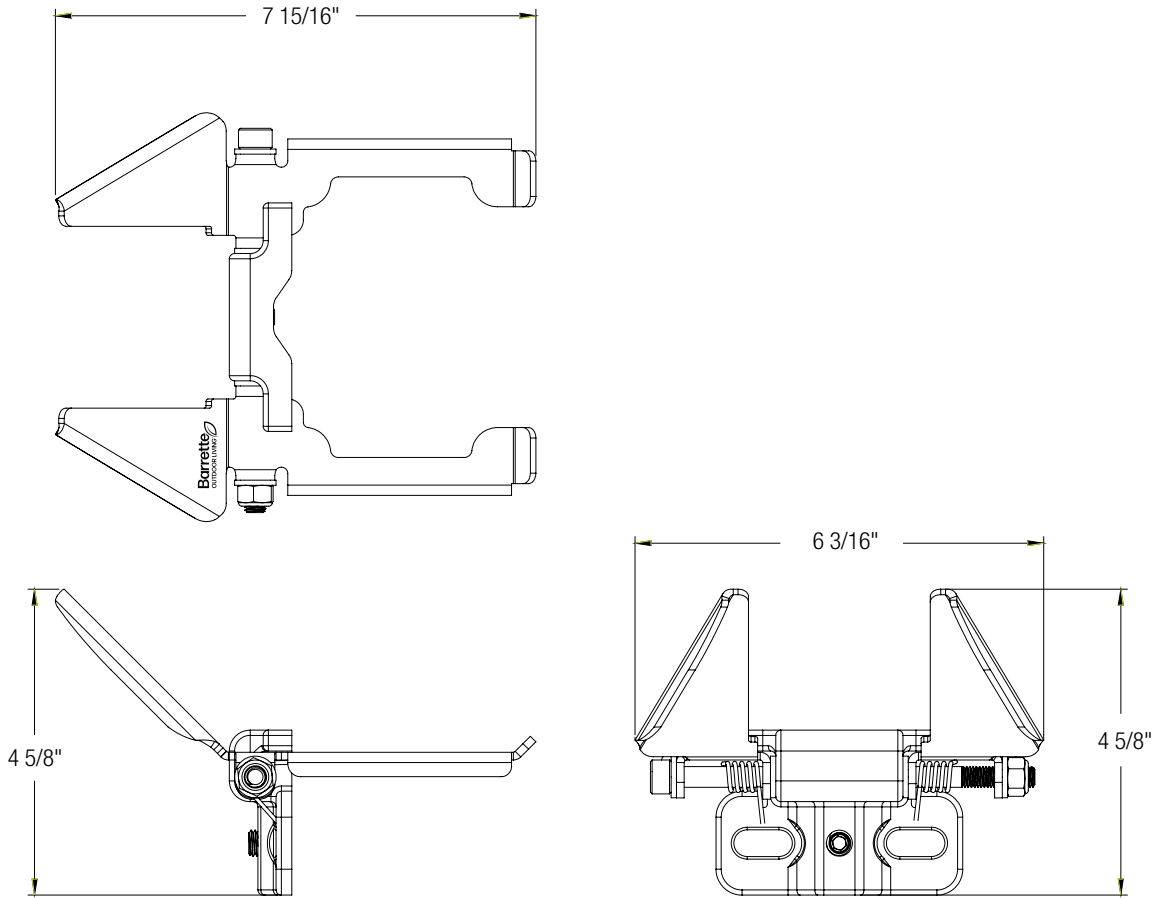


STANDARD DOUBLE BUTTERFLY LATCH

Description	Color	Made of	Works With	Gate Gap	Post Size	Upright Size	SKU
Standard Double Butterfly Latch	Black	Aluminum & Stainless Steel	Chain link, farm gates	3/4" - 1 1/4"	1 3/8" - 2 1/2"	1 3/8" - 2 1/2"	73014318



Standard Double Butterfly Latch



TIP: Standard Double Butterfly Latches are perfect for chain link fences.

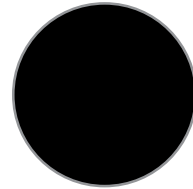
Y-LATCHES

PRODUCT FEATURES

- Provides adjustability to your gate
- Made of steel to withstand extreme weather conditions
- Accepts padlock for added security

KIT CONTENTS

- Appropriate Y-Latch
- Latch Accessories
- Screws



Black

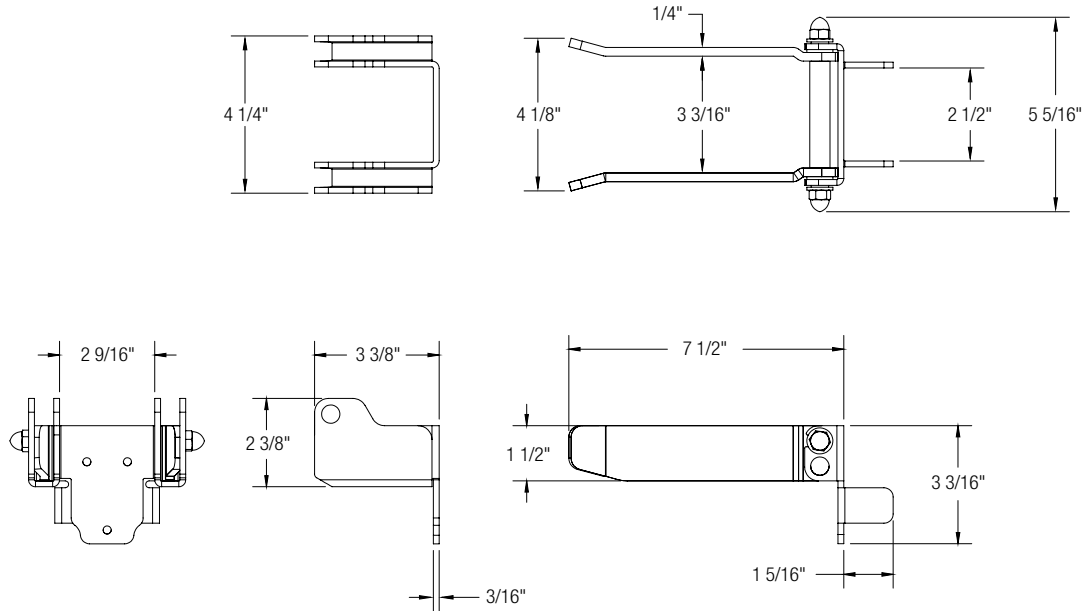


HEAVY-DUTY Y-LATCH

Description	Color	Made of	Works With	Post Size	Upright Size	Latch Clearance	SKU
Heavy-Duty Y-Latch	Black	Steel	Aluminum	2½"	2½"	1¼ - 3"	73043571



Heavy-Duty Y-Latch

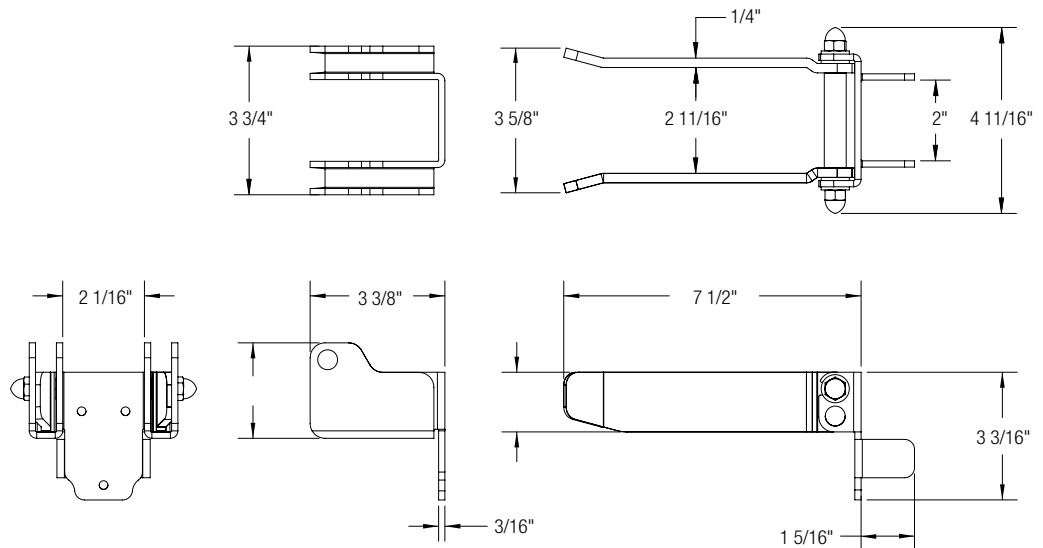


STANDARD Y-LATCH

Description	Color	Made of	Works With	Post Size	Upright Size	Latch Clearance	SKU
Standard Y-Latch	Black	Steel	Aluminum	2½"	2"	1¼ - 3"	73024448



Standard Y-Latch



TIP: Y-Latches are designed to work on larger walk gates as well. Install without the receiver and allow the forks to overlap the end post. Lock at the base of the gate upright for additional security.

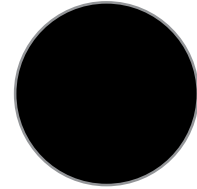
SLIDE BAR & FLIP LATCHES

PRODUCT FEATURES

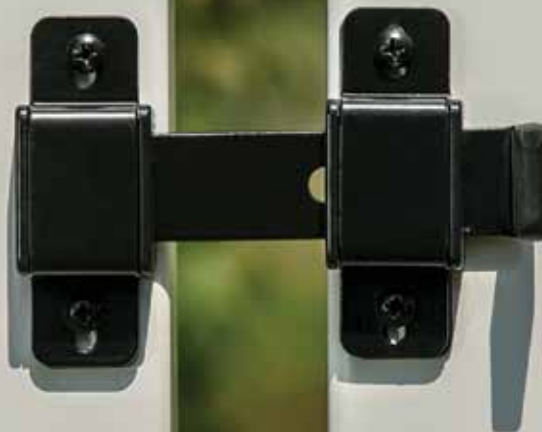
- Quick and easy installation
- Offers manual-latching operation
- Accepts padlock for added security

KIT CONTENTS

- Appropriate Bar Latch
- Latch Accessories
- Bracket Accessories
- Screws



Black

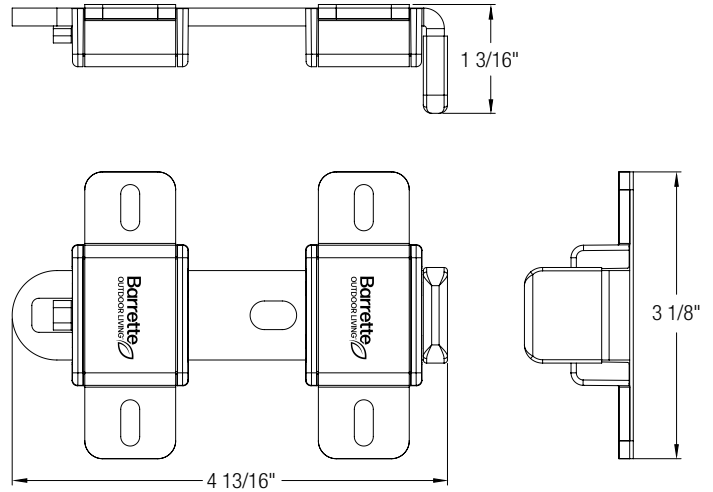


SLIDE BAR LATCH

Description	Color	Made of	Works With	Gate Gap	Post Size	Upright Size	SKU
Slide Bar Latch	Black	Steel	Vinyl, metal, wood gates	3/4" - 1 1/4" +	1 1/2" +	1 1/2" +	73024428
Slide Bar Latch	Black	Stainless Steel					73024429



Slide Bar Latch

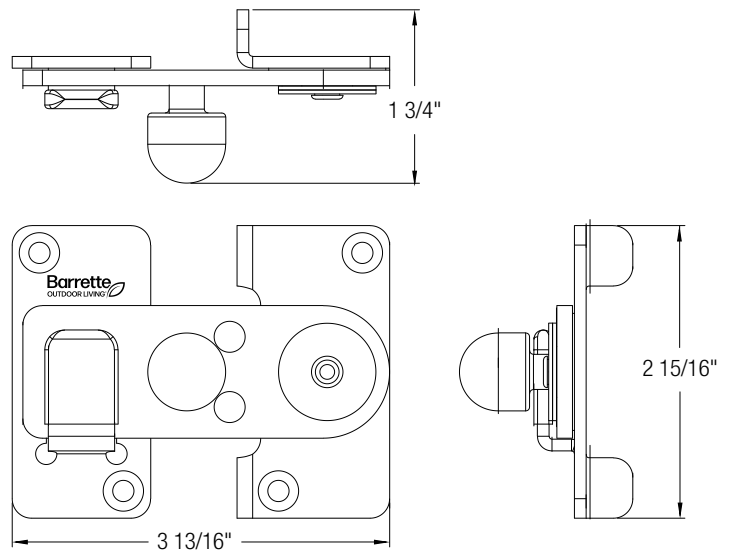


FLIP BAR LATCH

Description	Color	Made of	Works With	Gate Gap	Post Size	Upright Size	SKU
Flip Bar Latch	Black	Steel	Vinyl, metal, wood gates	3/4" - 1 1/4" +	1 1/2" +	1 1/2" +	73024426
Flip Bar Latch	Black	Stainless Steel					73024427



Flip Bar Latch



TIP: Slide Bar and Flip Latches accept padlocks for additional security.

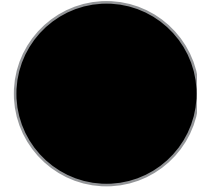
CABLE LATCH & ALL-PURPOSE GATE LATCH

PRODUCT FEATURES

- Self-latching for secure closure
- Floating design allows for a wider latching range and compensates for gate sag
- Accepts padlock for added security

KIT CONTENTS

- Latches with Cables
- Striker and Striker Accessories
- Screws



Black

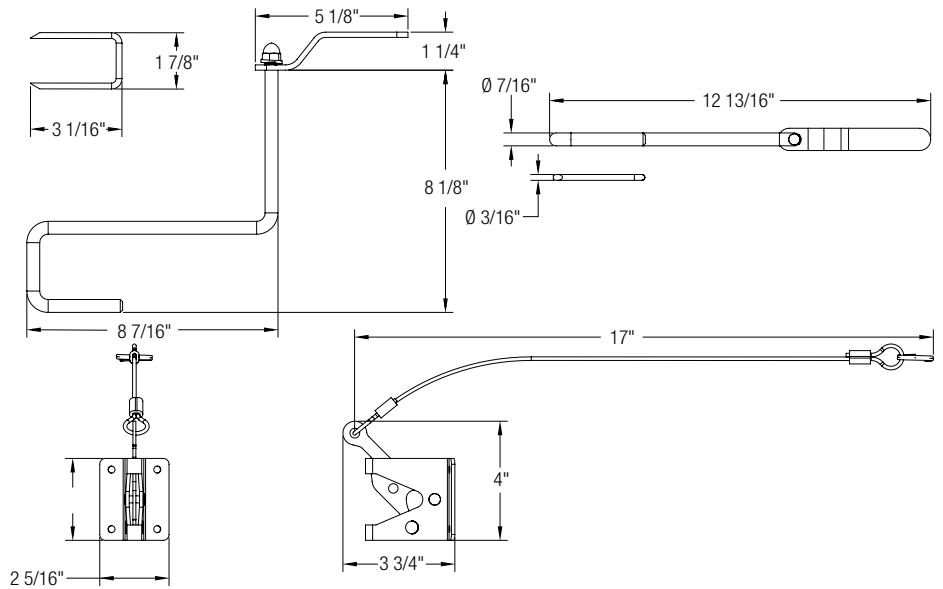


ALL-PURPOSE GATE LATCH

Description	Color	Made of	Works With	Post Size	Upright Size	Latch Clearance	SKU
All-Purpose Gate Latch	Black	Steel	Wood gates	2½" +	1" - 4"	½" - 5"	73024952



All-Purpose Gate Latch

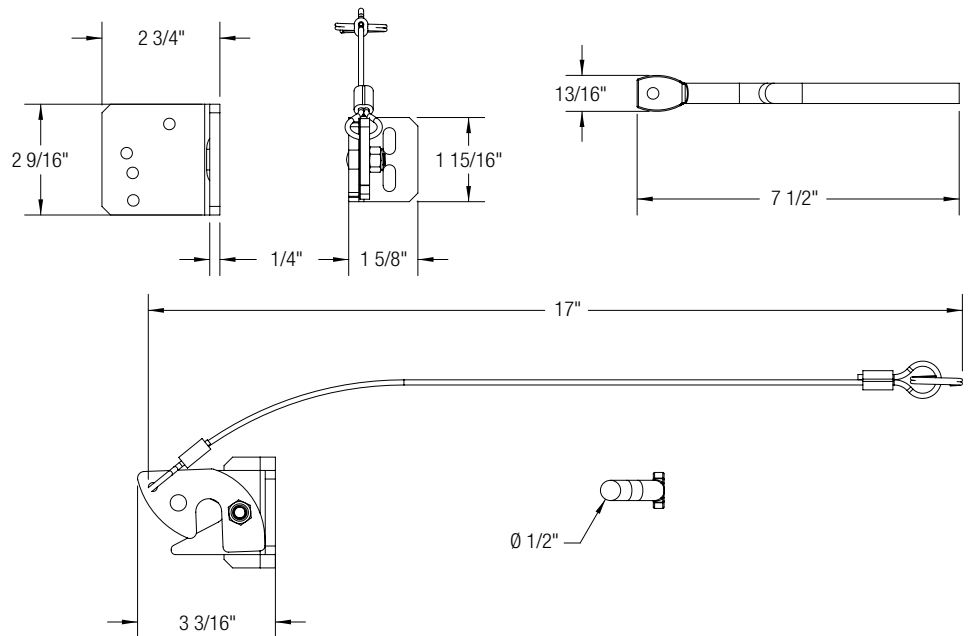


CABLE LATCH

Description	Color	Made of	Works With	Post Size	Upright Size	Latch Clearance	SKU
Cable Latch	Black	Steel	Wood gates	2" +	3" +	1½" - 4"	73024951



Cable Latch



TIP: Cable allows for the latch to be opened from either side of your gate.

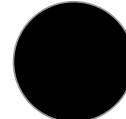
SM350 SURFACE MOUNT WITH COVER

PRODUCT BENEFITS

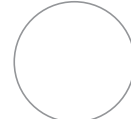
- Patent pending technology
- Fast and easy installation
- Strength performance of a custom welded post/plate assembly
- Available for 2" and 2½" aluminum posts
- Pool code compliant
- Designed to work with multiple wall thicknesses
- Limited Lifetime Warranty

KIT CONTENTS

- Post Trim Attachment Plugs
- Post Mount Base
- Hex Head Bolt
- Cap Nut for ½" post Wall Thickness
- Cap Nut for ¼" post Wall Thickness
- Collet



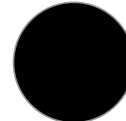
Black



White



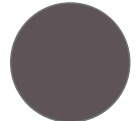
Bronze



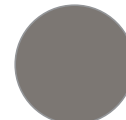
Matte Black



Light Bronze



Matte Bronze



Pewter



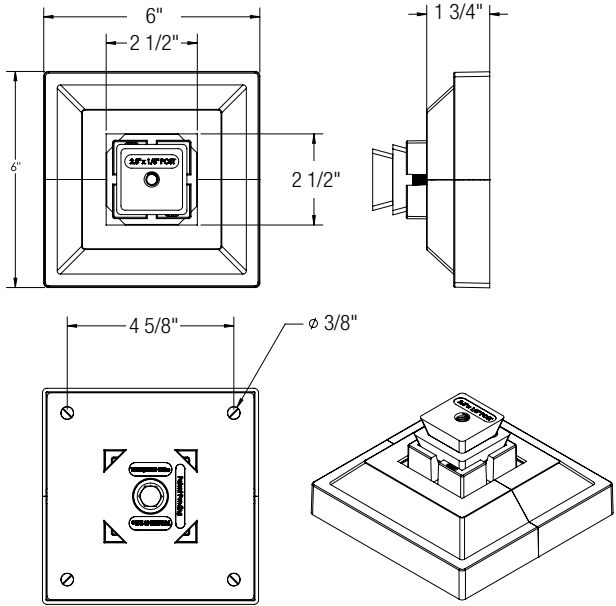
Gray



SM350 SURFACE MOUNT			
Description	Colors	2 1/2" SKU	2" SKU
Surface Mount w/Cover	Black	73045685	73045677
Surface Mount w/Cover	Matte Black	73045686	73045678
Surface Mount w/Cover	Pewter	73045687	73045679
Surface Mount w/Cover	White	73045688	73045680
Surface Mount w/Cover	Bronze	73045689	73045681
Surface Mount w/Cover	Matte Bronze	73045690	73045682
Surface Mount w/Cover	Gray	73045691	73045683
Surface Mount w/Cover	Light Bronze	73045692	73045684



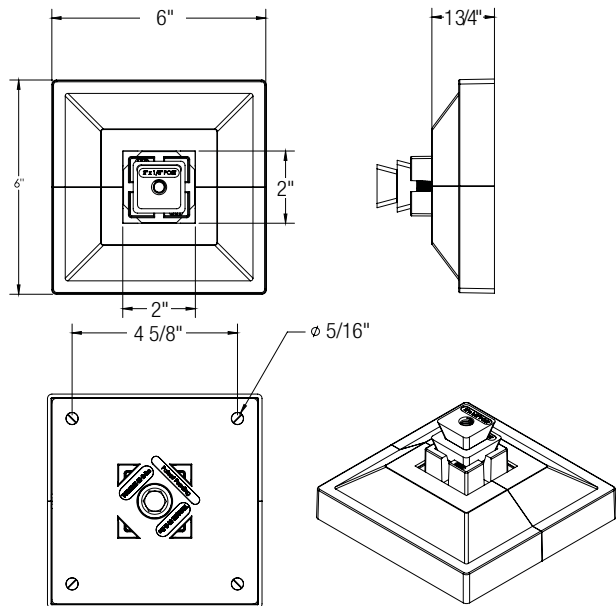
Surface Mount w/Cover



2 1/2" Surface Mount w/Cover

Product Spotlight

Patent pending SM350 Surface Mount is the strong and easy-to-install solution for surface mounting aluminum fence posts!



2" Surface Mount w/Cover



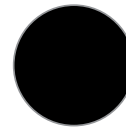
HEAVY-DUTY DROP RODS

PRODUCT BENEFITS

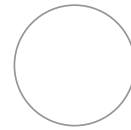
- Ideal for securing gates without using a latch
- Available in a variety of colors, materials and sizes to fit your needs
- Accepts padlock for added security

KIT CONTENTS

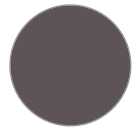
- (1) Heavy-Duty Drop Rod
- (2) Drop Rod Brackets
- (8) 1 ¼" Self-Drilling Square/Phillips Combo Screws



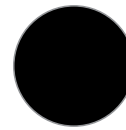
Black



White



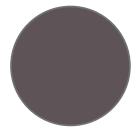
Bronze



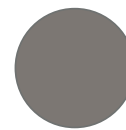
Matte Black



Light Bronze



Matte Bronze

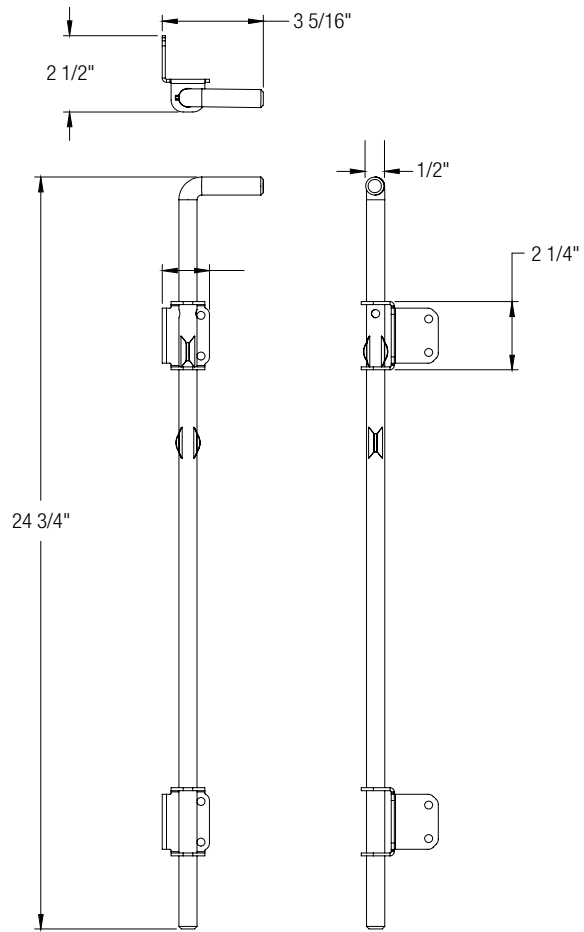


Pewter



HEAVY-DUTY DROP RODS

Description	Color	Made of	Works With	Upright Size	SKU
24" Heavy-Duty Drop Rod	Black	Steel	Vinyl, wood, metal gates	1½" +	73014305
24" Heavy-Duty Drop Rod	Black	Stainless Steel			73024431
24" Heavy-Duty Drop Rod	White	Steel			73014306
24" Heavy-Duty Drop Rod	Bronze	Steel			73025505
24" Heavy-Duty Drop Rod	Light Bronze	Steel			73025506
24" Heavy-Duty Drop Rod	Pewter	Steel			73025507
24" Heavy-Duty Drop Rod	Matte Black	Steel			73028058
24" Heavy-Duty Drop Rod	Matte Bronze	Steel			73043997
36" Heavy-Duty Drop Rod	Black	Steel			73024430
36" Heavy-Duty Drop Rod	Black	Stainless Steel			73024432
48" Heavy-Duty Drop Rod	Black	Steel			73025499
48" Heavy-Duty Drop Rod	Black	Stainless Steel			73025503
48" Heavy-Duty Drop Rod	White	Steel			73025500
48" Heavy-Duty Drop Rod	White	Stainless Steel			73025504



TIP: Be sure to position the mounting brackets in coordination with the pre-drilled hole designed to accommodate a padlock.

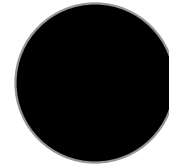
STANDARD DROP RODS

PRODUCT BENEFITS

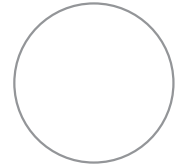
- Ideal for securing gates without using a latch
- Comes with two gate handles for a complete solution
- Requires a rod for each gate panel
- Accepts padlock for added security

KIT CONTENTS

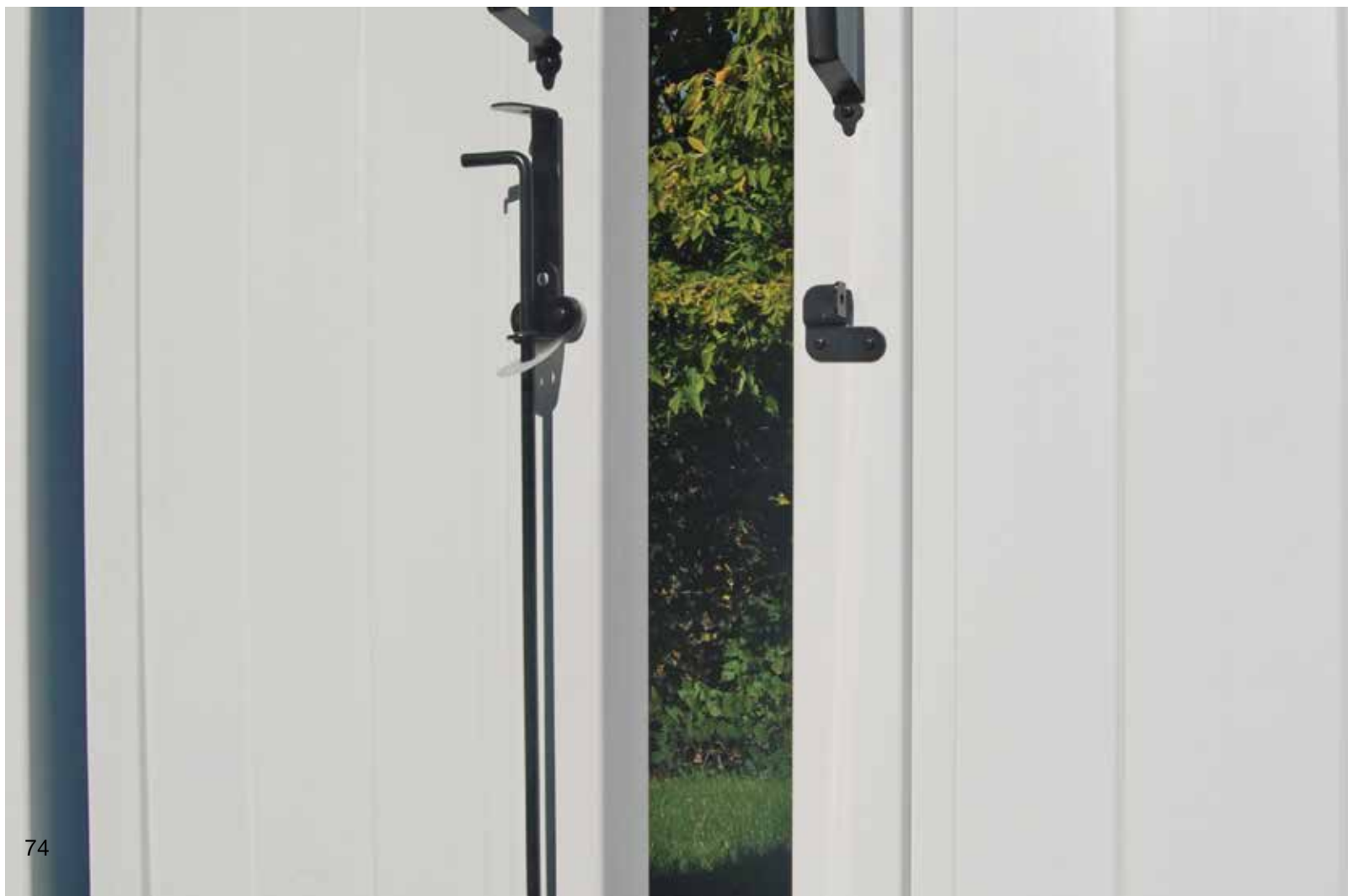
- (1) Drop Rod
- (1) Latch
- (2) Rod Guide
- (1) Plastic Binder
- (1) Latch Catch
- (2) Handles
- (10) 3/4" Square/Phillips Combo Screws
- (1) Cotter Pin



Black



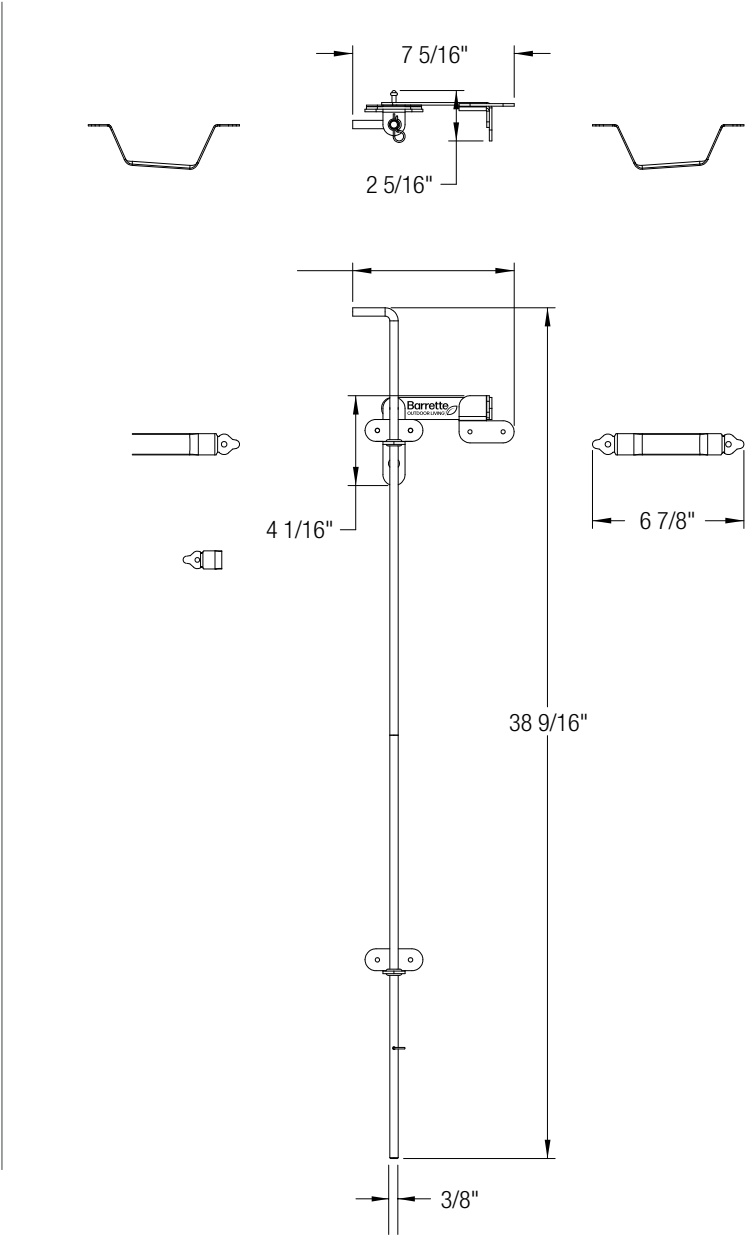
White



STANDARD DROP RODS

Description	Color	Made of	Works With	Upright Size	SKU
36" Standard Drop Rod	Black	Steel	Vinyl, wood, metal gates	2½" +	73014303
36" Standard Drop Rod	White				73014304

Note: Standard Drop Rod comes unassembled in two pieces.



TIP: Standard Drop Rods include two gate handles.

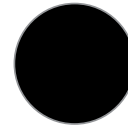
GATE STOP

PRODUCT BENEFITS

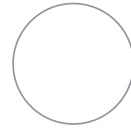
- Made of steel with a protective silicone cover that works as a buffer to soften gate slams
- Helps prevent damage to hardware and prolongs gate life

KIT CONTENTS

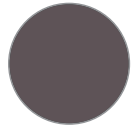
- (1) Gate Stop
- (3) 1 ¼" Hex Screws



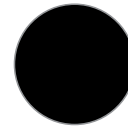
Black



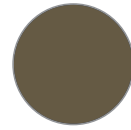
White



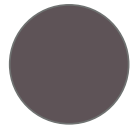
Bronze



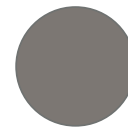
Matte Black



Light Bronze



Matte Bronze



Pewter

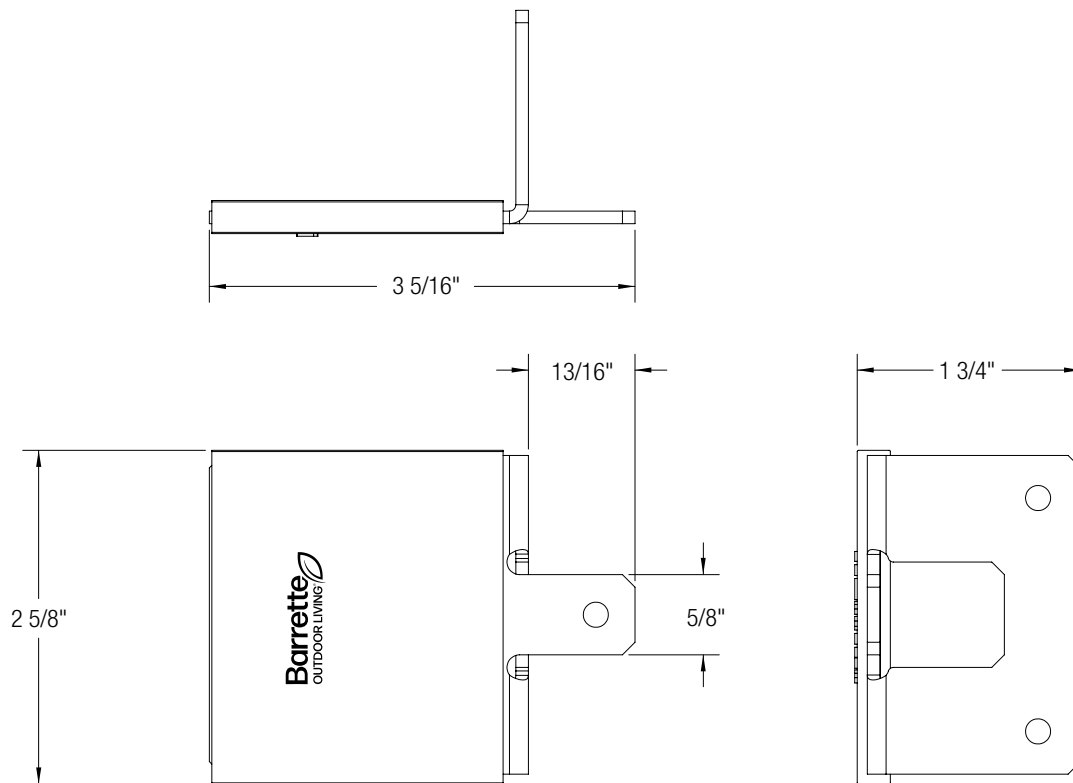


GATE STOP						
Description	Color	Made of	Works With	Post Size	Upright Size	SKU
Gate Stop	Black	Steel, Silicone	Vinyl, wood, metal gates	Up to 75 lbs.	1½" +	73014321
Gate Stop	White					73025508
Gate Stop	Bronze					73025509
Gate Stop	Light Bronze					73025510
Gate Stop	Pewter					73025511
Gate Stop	Matte Black					73028059
Gate Stop	Matte Bronze					73043008

Note: Steel and protective silicone cover come in the available colors.



Gate Stop



TIP: The Gate Stop will prolong the life of your gate by preventing damage from slamming.

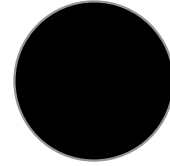
GATE HANDLES

PRODUCT BENEFITS

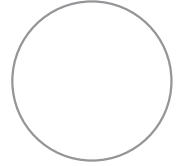
- Available in three styles for use with multiple gate materials
- Stylish and ergonomic

KIT CONTENTS

- Appropriate Gate Handles
- Screws
- Screw Caps (*EZ Grip Gate Handle only*)



Black

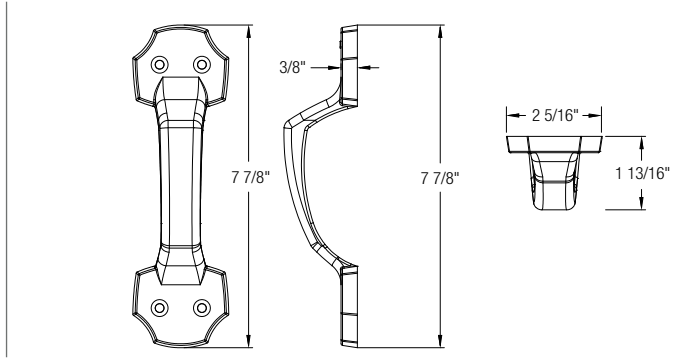


White



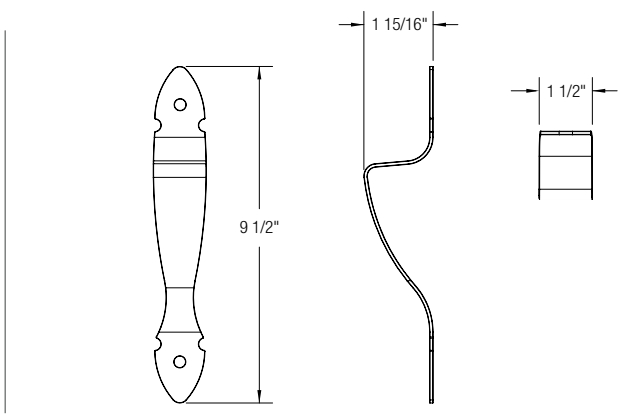
GATE HANDLE

Description	Color	Made of	Works With	Upright Size	SKU
Gate Handle	Black	Polymer	Wood, vinyl gates	2½" +	73014320



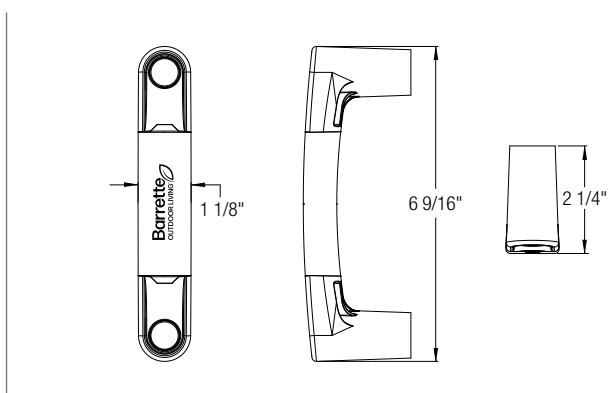
9" GATE HANDLE

Description	Color	Made of	Works With	Upright Size	SKU
9" Gate Handle	Black	Steel	Wood gates	2" +	73014914



EZ GRIP GATE HANDLE

Description	Color	Made of	Works With	Upright Size	SKU
EZ Grip Gate Handle	Black	Nylon	Wood, vinyl, metal gates	1" +	73024421
EZ Grip Gate Handle	White				73004735



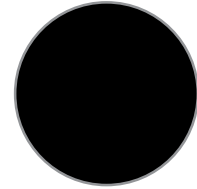
HEAVY-DUTY GATE WHEEL

PRODUCT BENEFITS

- Designed to assist opening and closing large, heavy gates
- Spring-loaded feature adjusts to uneven ground and helps eliminate gate sag

KIT CONTENTS

- (1) Heavy-Duty Gate Wheel
- (4) $\frac{5}{16}$ " Lag Screws



Black

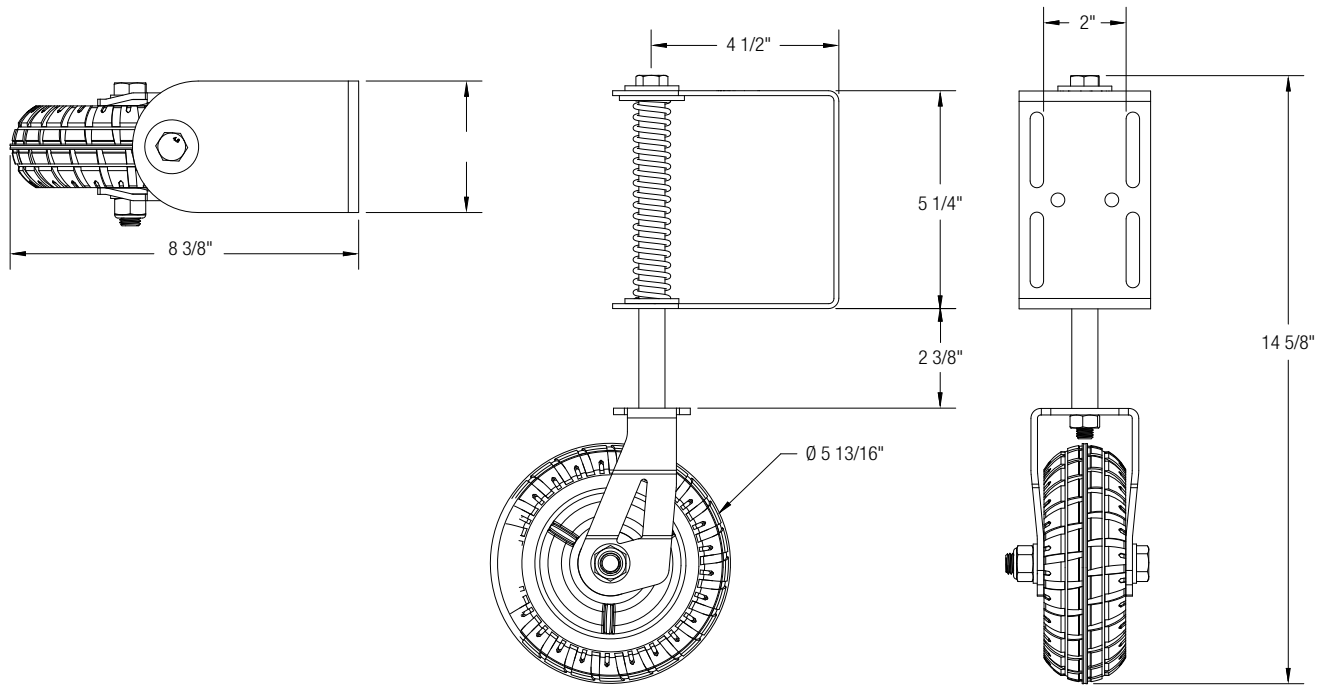


HEAVY-DUTY GATE WHEEL

Description	Color	Made of	Works With	Upright Size	SKU
Heavy-Duty Gate Wheel	Black	Steel & Stainless Steel	Wood gates	3½" +	73044963



Heavy-Duty Gate Wheel



TIP: The Heavy-Duty Gate Wheel will work with chain link gates with round uprights when 2" U-Clamps are purchased separately.

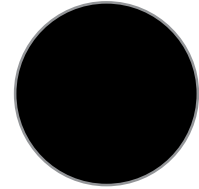
SELF-CLOSING GATE DEVICE

PRODUCT BENEFITS

- Manual device that makes gate self-closing

KIT CONTENTS

- (1) Self-Closing Device
- (4) 1½" Hex Head Self-Drilling Lag Screws
- (1) Allen Wrench



Black

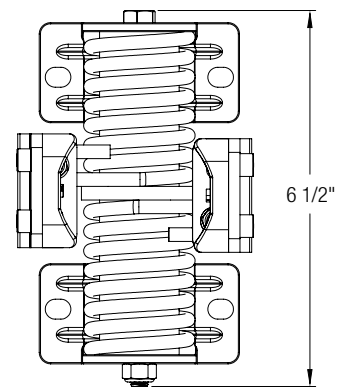
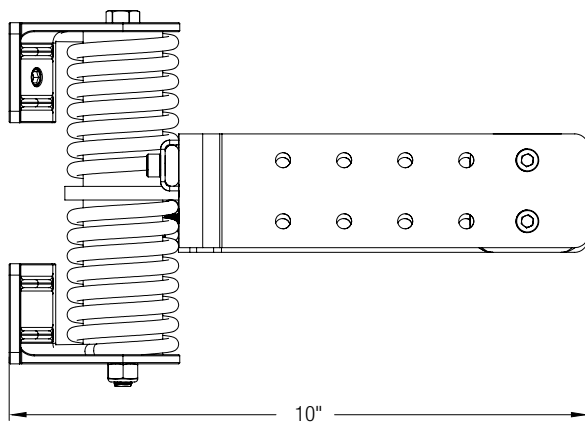
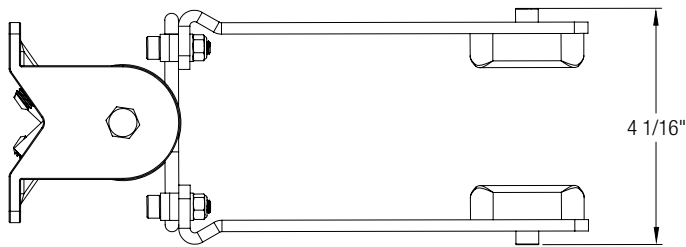


SELF-CLOSING GATE DEVICE

Description	Color	Made of	Works With	Gate Width	Gate Gap	Post Size	Upright Size	SKU
Self-Closing Gate Device	Black	Steel	Farm gates	10' + gate requires 2 devices	3½"	4" +	1⅜" - 2½"	73014317



Self-Closing Gate Device



TIP: Self-Closing Gate Device is rated for use with gates 60 lbs. or less. If gate is heavier than 60 lbs., two or more Self-Closing Gate Devices are recommended.

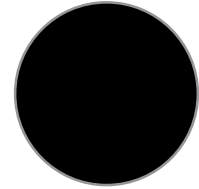
10" GATE SPRING

PRODUCT BENEFITS

- Designed to automatically close gates with self-closing adjustable tension
- Perfect for wood gates

KIT CONTENTS

- (1) Gate Spring
- (1) Tension Pin
- (1) Adjustment Rod
- (4) Philips Pan Head Screws



Black

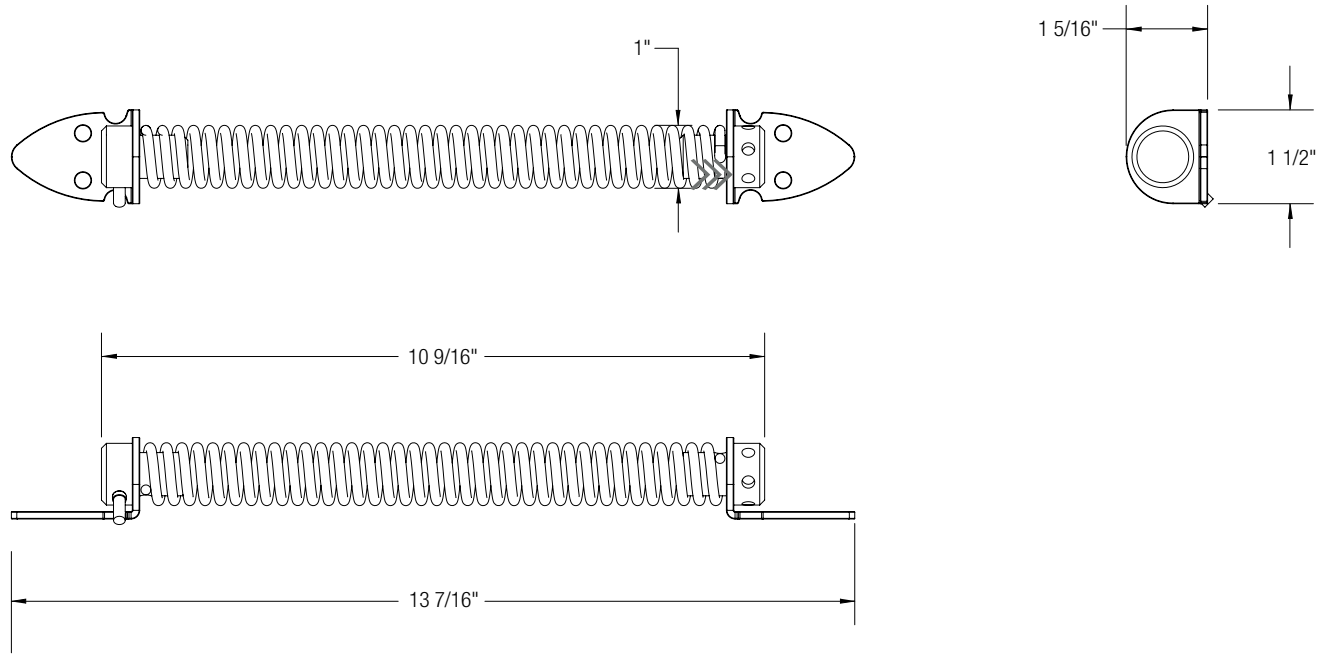


10" GATE SPRING

Description	Color	Made of	Works With	Post Size	Upright Size	SKU
10" Gate Spring	Black	Steel	Wood, vinyl gates	2" +	2" +	73024953



10" Gate Spring



TIP: The 10" Gate Spring works best when using manual closing hinges and the self-closing feature is desired.



barretteoutdoorliving.com